

CSF051.20

Lavoce

5" COAXIAL

FERRITE WOOFER
NEODYMIUM TWEETER MAGNET
STEEL BASKET DRIVER



- 1.2 INCH WOOFER COPPER VOICE COIL
- 0.55 INCH TWEETER COPPER VOICE COIL
- 92 dB/SPL SENSITIVITY
- 100 WATT PROGRAM POWER HANDLING
- FEM OPTIMIZED MOTOR AND SUSPENSIONS
- EXTENDED FREQUENCY RESPONSE AND CONSTANT DIRECTIVITY
- RESONANCE FREE AND HEAVY DUTY STEEL BASKET DESIGN

GENERAL SPECIFICATIONS

Nominal diameter	mm (in.)	130 - 20 (5 - 0.7)
Nominal impedance	Ω	4
Minimum impedance	Ω	3,4
Program power (1)	W	100
AES Power rating (2)	W	50
Sensitivity (3)	dB	92
Frequency range	Hz	100 ÷ 22000
Voice coil diameter	mm (in.)	30 - 14 (1.2 - 0.55)
Chassis material	Steel	
Magnet material	Ferrite - Neodymium	
Magnet dimensions OD x ID x h	mm (in.)	85 x 40 x 13 (3.5 x 1.6 x 0.5)
Coil material	Copper	
Former material	Polyimide	
Cone material	Water Proof Treated Paper - PEI	
Surround material	Polycotton	
Xmax (4)	mm (in.)	3 (0.12)
Xmech (5)	mm (in.)	4 (0.16)
Gap height	mm (in.)	4 (0.16)
Voice coil winding height	mm (in.)	8 (0.31)
Driver displacement volume	l (ft ³)	0,2 (0.007)

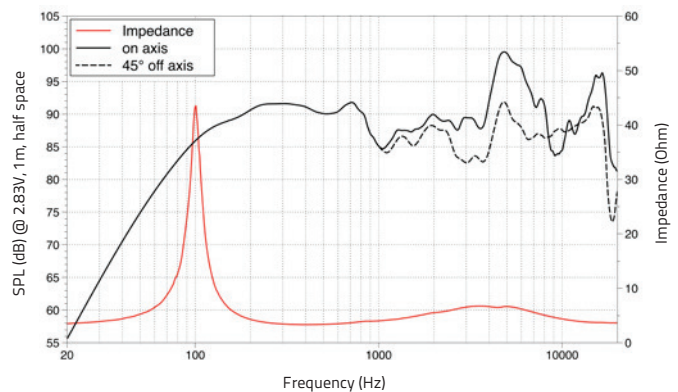
SMALL SIGNAL PARAMETERS

DC resistance	Re	Ohm	3,1
Resonance frequency	Fs	Hz	100
Moving mass	Mms	g (oz)	6 (0.21)
Compliance	Cms	mm/N	0,33
Force factor	BxL	N/A	4,4
Mechanical Q-factor	Qms		9,6
Electrical Q-factor	Qes		0,66
Total Q-factor	Qts		0,62
Equivalent air volume	Vas	l (ft ³)	3,8 (0.13)
Voice coil Inductance	Le	mH	0,23
Diaphragm area	Sd	cm ² (in. ²)	87 (13.49)
Reference efficiency	Eta 0	%	0,70

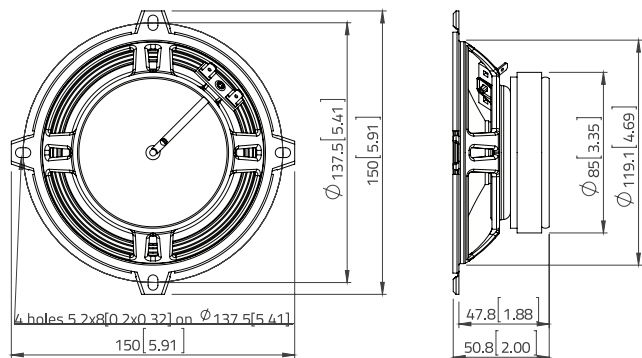
SHIPPING INFORMATION

Net weight	kg (lb.)	0,74 (2.0)
Multipack size (12)	mm (in.)	344 x 317 x 258 (13.5 x 12.5 x 10.1)
Multipack weight	kg (lb.)	10,5 (28,4)

FREQUENCY RESPONSE



DIMENSIONS mm (in.)



(1) Program power is defined as 3 dB greater than AES Power. (2) Tested for two hours using a continuous, band-limited pink noise signal as per AES 2-1984 Rev. 2003. Loudspeaker tested in free air. (3) From T/S parameters, measured with Klippel DA LPM module. (4) The Xmax is calculated as: $(Hvc - Hg)/2 + Hg/4$. Hvc is the voice coil height and Hg the gap height. (5) The Xmech is calculated as: $(Hvc - Hg)/2 + (Hg - 2)$. Hvc is the voice coil height and Hg the gap height. (6) Thiele-Small parameters are measured after preconditioning: a) at 20°C - 22°C, 50% humidity for 2 hours; b) by Klippel LSI measurement.

