

# DN10.17T

Lavoce

## 1" COMPRESSION DRIVER

NEODYMIUM MAGNET



- 1.7 INCH EDGEWOUND CCA VOICE COIL
- 107 dB/SPL SENSITIVITY
- 110 W PROGRAM POWER HANDLING
- FEM OPTIMIZED MOTOR, PHASEPLUG AND DIAPHRAGM
- 1200 - 18000 Hz FREQUENCY RANGE
- TITANIUM DIAPHRAGM

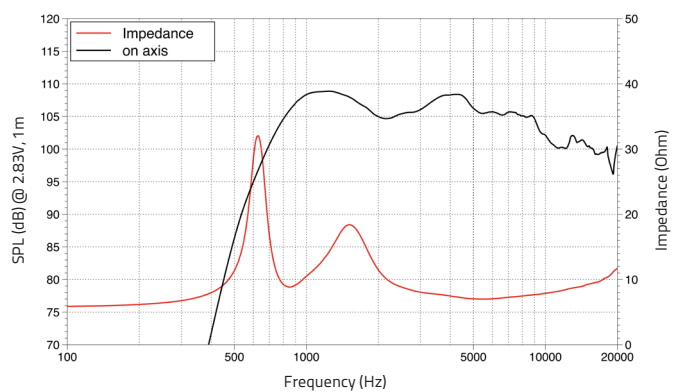
### GENERAL SPECIFICATIONS

Throat diameter	mm (in.)	25,4 (1)
Nominal impedance	Ω	8
Minimum impedance	Ω	7,3
Program power (1)	W	110
AES Power rating (2)	W	55
Sensitivity (3)	dB	107
Frequency range	Hz	1200 ÷ 18000
Voice coil diameter	mm (in.)	44,4 (1.7)
Magnet material		Neodymium
Magnet OD	mm (in.)	85 (3.3)
Coil material		Edgewound CCA
Former material		Fiber Glass
Diaphragm material		Titanium
Surround material		Titanium
Voice coil Inductance	mH	0,09
Flux density	T	1,9
Recommended crossover (4)	Hz	1500
Driver displacement volume	l (ft <sup>3</sup> )	0,2 (0.008)

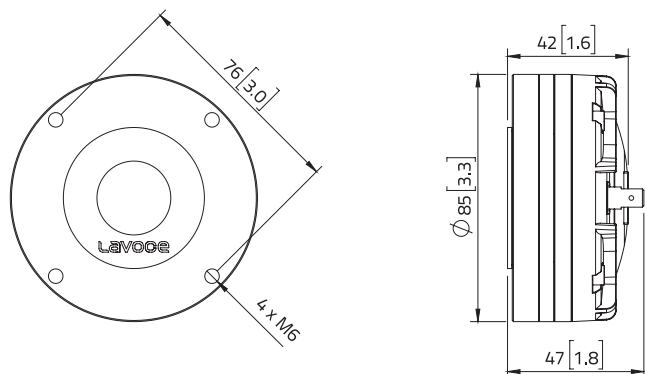
### SHIPPING INFORMATION

Net weight	kg (lb.)	0,9 (1.9)
Multipack size (9)	mm	412 x 376 x 94
W x D x H	(in.)	(16.2 x 14.8 x 3.7)
Multipack weight	kg (lb.)	9,1 (19.9)

### FREQUENCY RESPONSE



### DIMENSIONS mm (in.)



(1) Program power is defined as 3 dB greater than AES Power. (2) Horn loaded test for 2h with continuous, band-limited (1500-20000 Hz, 12dB/oct.) pink noise as per AES 2-1984 Rev. 2003. (3) Measured on axis at 2.83V, 1m, driver loaded with HD1003 horn, SPL averaged in the frequency range 1200 ÷ 18000 Hz. (4) High pass filter with slope 12dB/oct. or higher.

All specifications subject to change without notice\_B.a

WWW.LAVOCESPEAKERS.COM



Lavoce Italiana

sales@lavocespeakers.com sales.cn@lavocespeakers.com