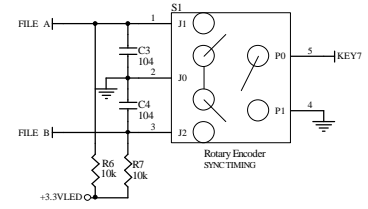
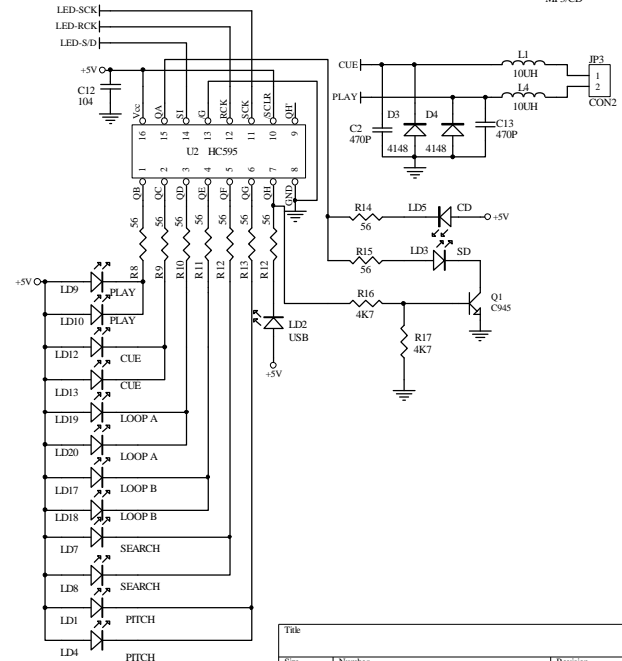
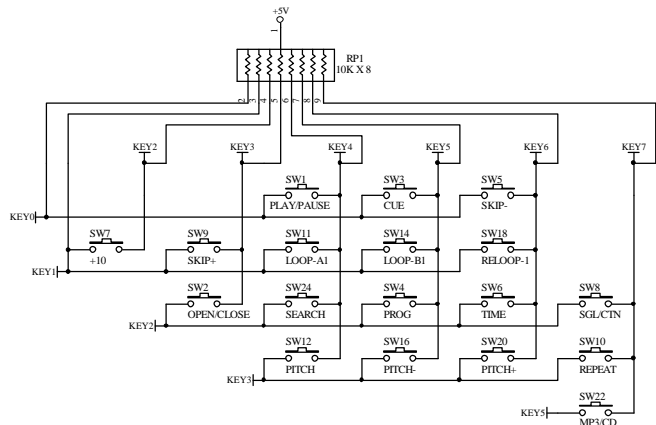
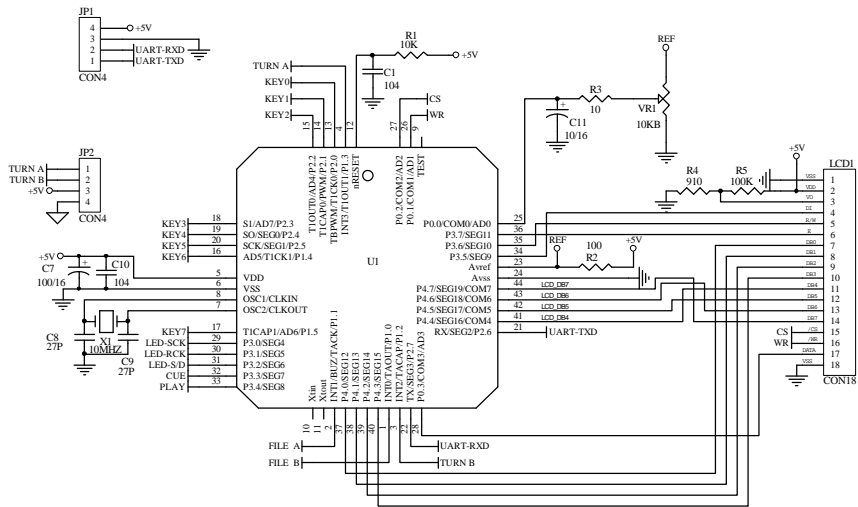


Use this circuit, the way we specify normally.

For 24-0045

Max 5000M

REV	DATE	BY	CHKD	DESCR
1				
2				
3				
4				
5				
6				
7				
8				



Title		
Size	Number	Revision
A3		
Date:	10-Feb-2009	Sheet of Drawn By: