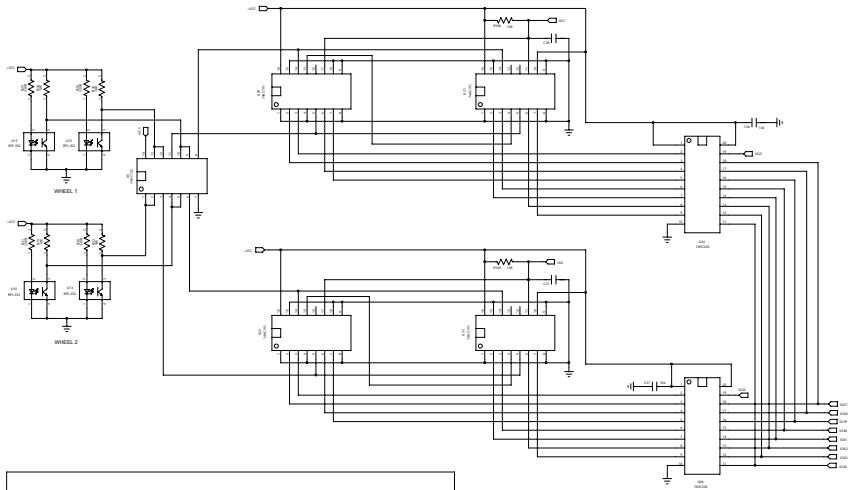


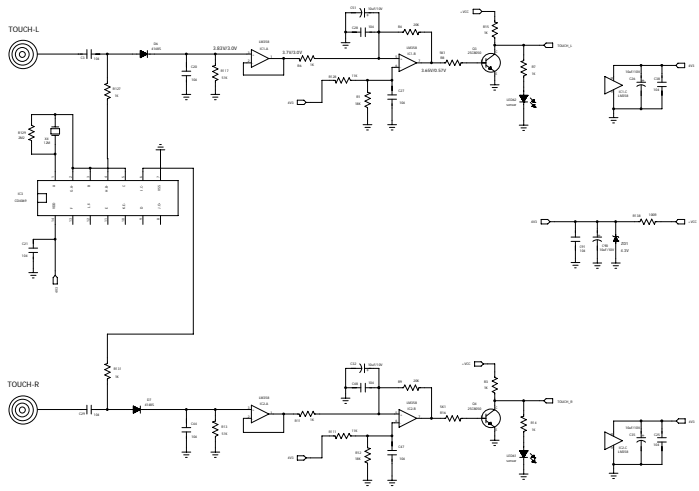
MCU+VR PCB

COMPANY:	
MODEL:	
ENGINEER:	
DATE:	2011.05.12
	SHEET 2 OF 4



MCU+VR PCB

COMPANY:	
MODEL:	
ENGINEER:	
DATE:	2011 05 12
	SHEET: 3 OF 4



MCU+VR PCB

COMPANY:	
MODEL:	
ENGINEER:	
DATE:	2011.05.12
SHEET:	4 of 4