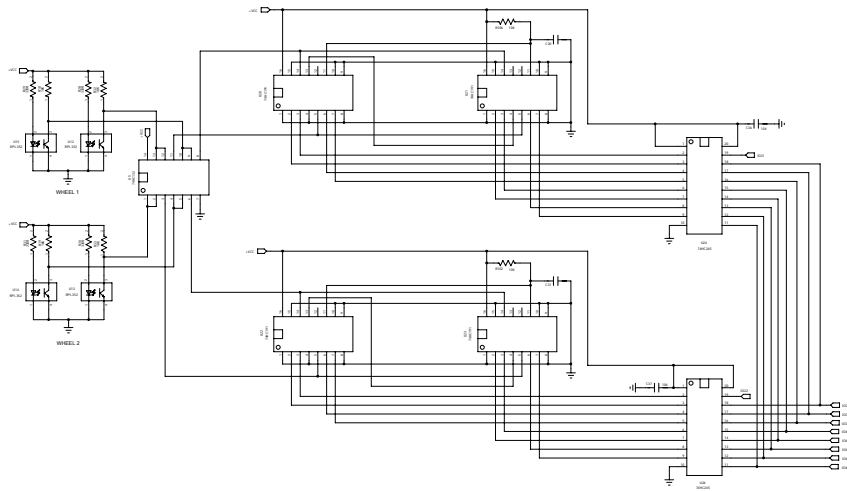


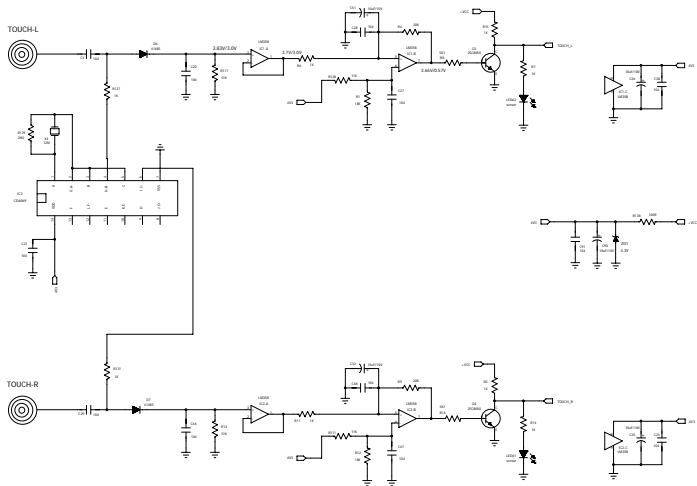
MCU+VR PCB

| | |
|-----------|---------------|
| COMPANY: | |
| MODEL: | |
| ENGINEER: | |
| DATE: | 2010.08.12 |
| | SHEET: 2 OF 4 |



MCU+VR PCB

| | |
|-----------|------------|
| COMPANY: | |
| MODEL: | |
| ENGINEER: | |
| DATE: | 2010.08.12 |



MCU+VR PCB

| | |
|-----------|---------------|
| COMPANY: | |
| MODEL: | |
| ENGINEER: | |
| DATE: | 2010.08.12 |
| | SHEET: 4 of 4 |