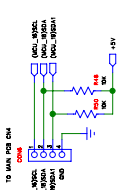
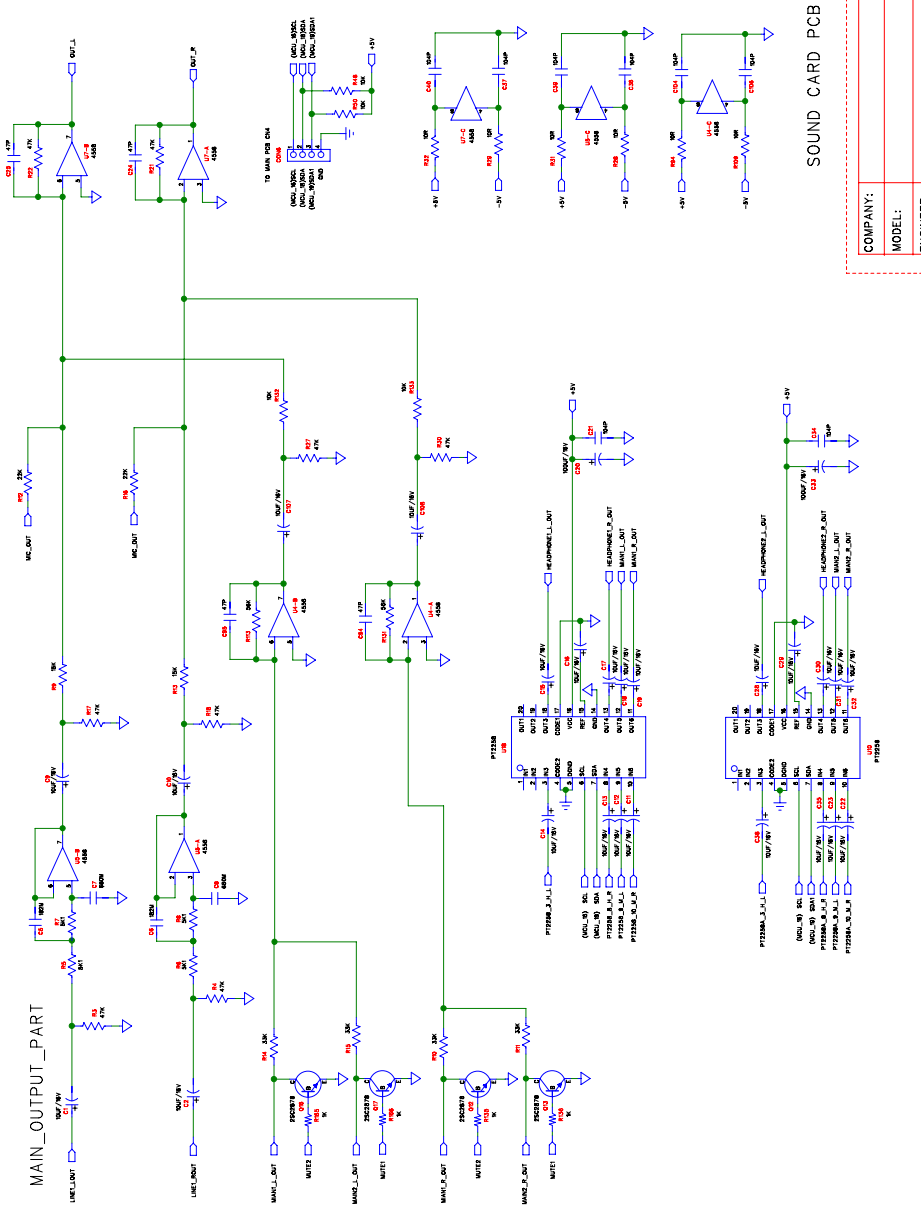


SOUND CARD PCB

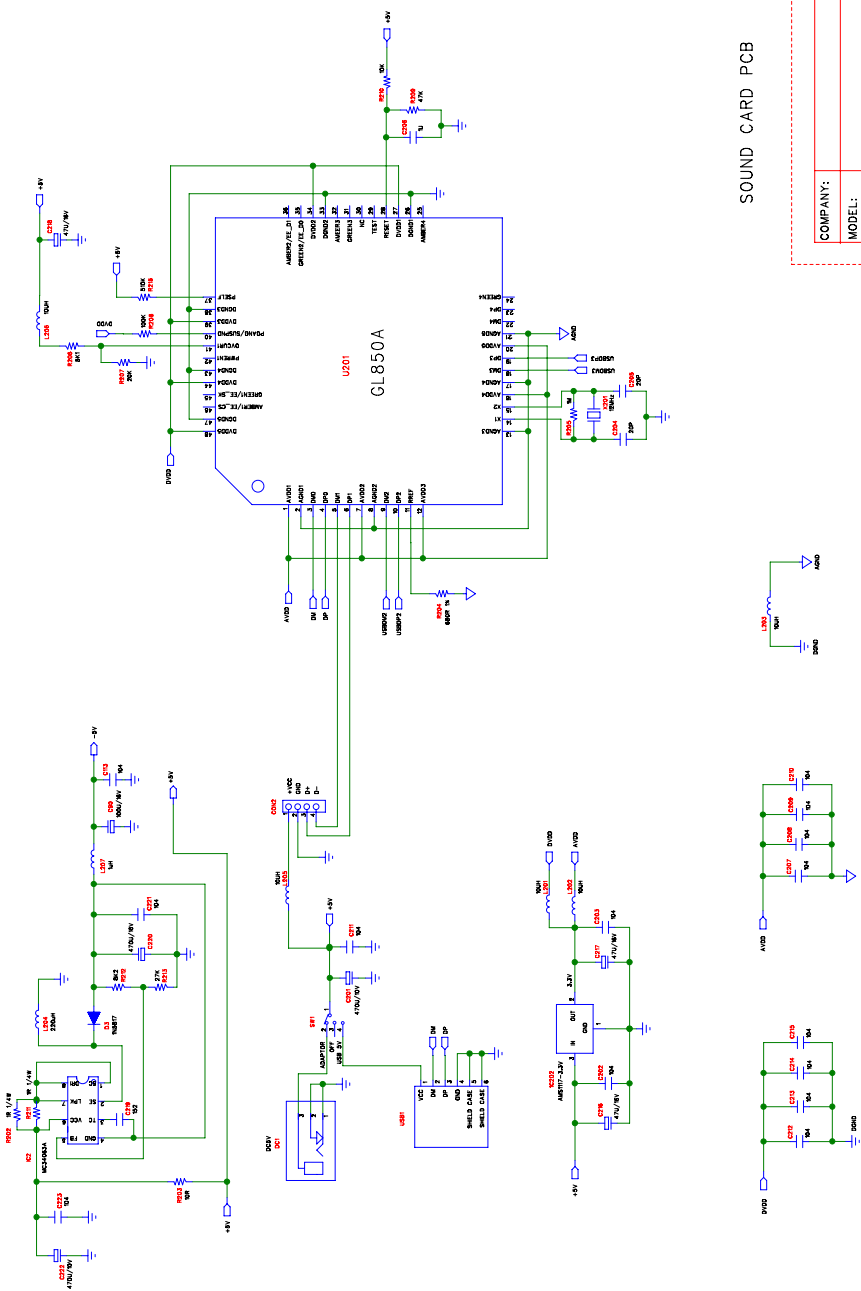
COMPANY:
MODEL:
ENGINEER:
DATE:

MAIN_OUTPUT_PART



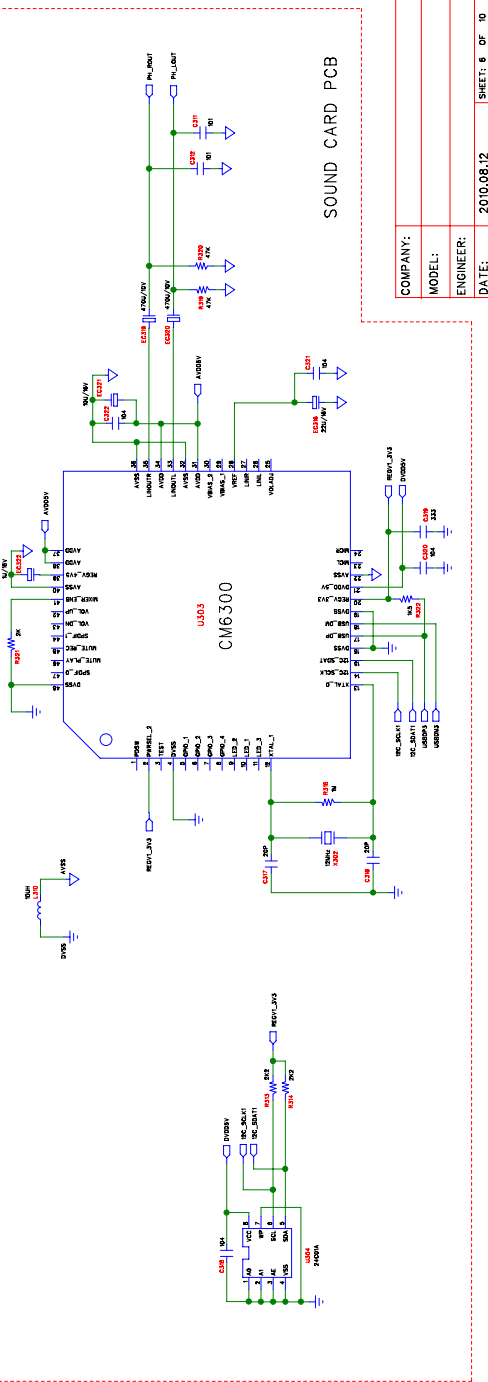
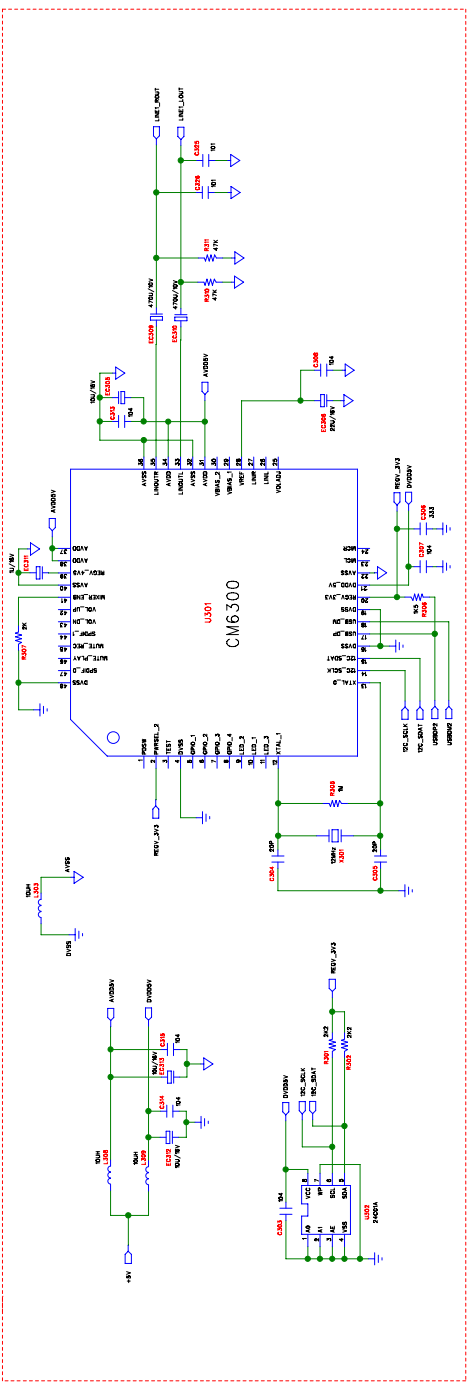
SOUND_CARD_PCB

COMPANY:
MODEL:
ENGINEER:
DATE:



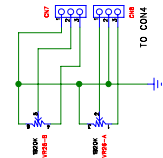
SOUND CARD PCB

COMPANY:	
MODEL:	
ENGINEER:	
DATE:	2010.08.12

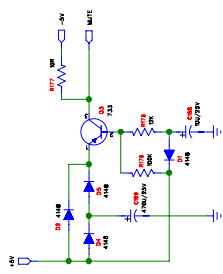
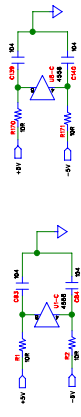
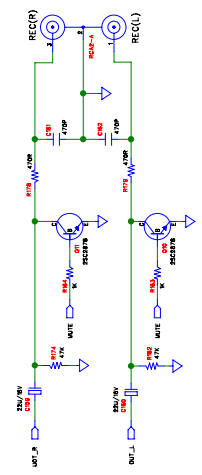
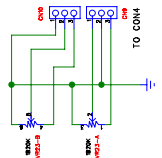


SOUND CARD PCB

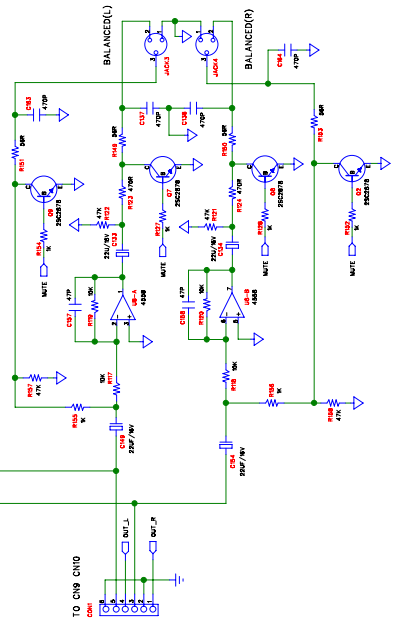
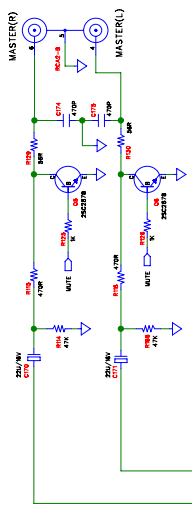
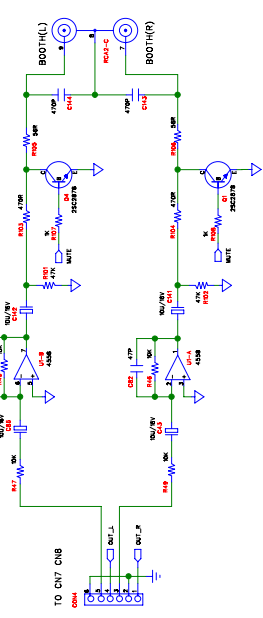
COMPANY:
 MODEL:
 ENGINEER:
 DATE:



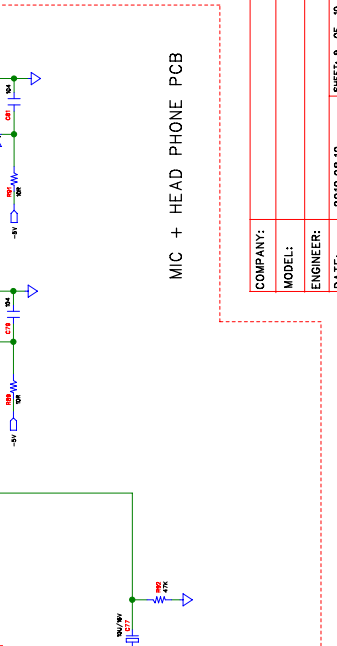
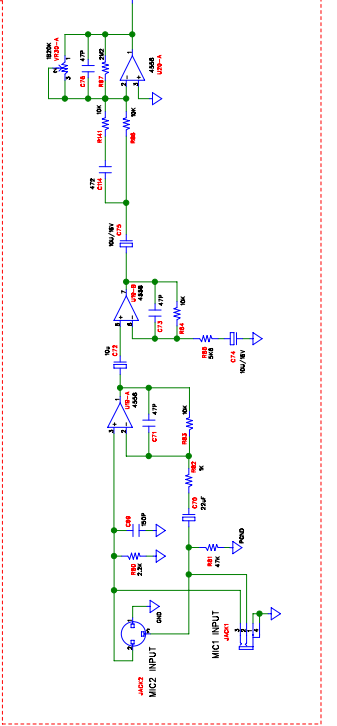
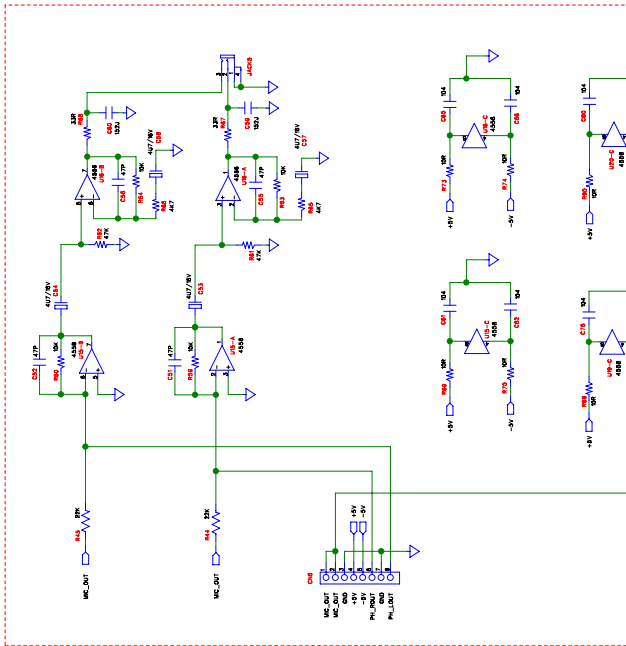
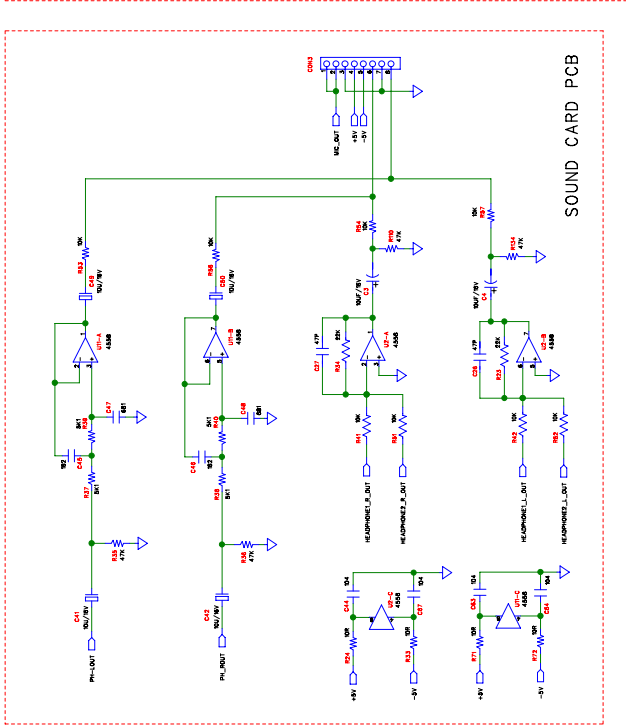
MCU+VR PCB



SOUND CARD PCB

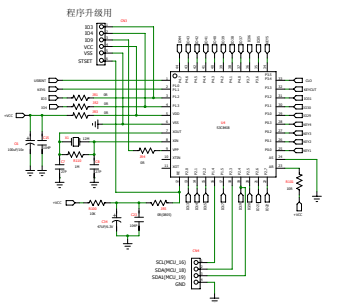


COMPANY:	
MODEL:	
ENGINEER:	
DATE:	2010.08.12
SHEET:	10 OF 10

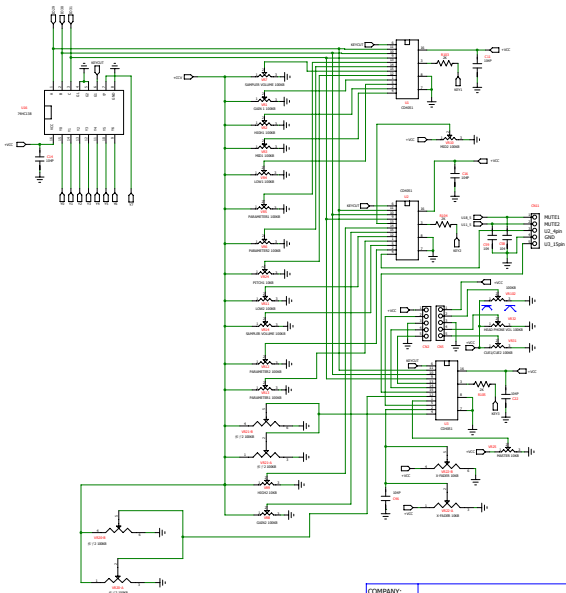
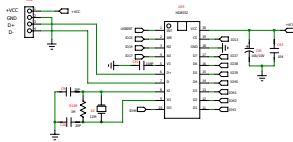


MIC + HEAD PHONE PCB

COMPANY:	
MODEL:	
ENGINEER:	
DATE:	2010.08.12

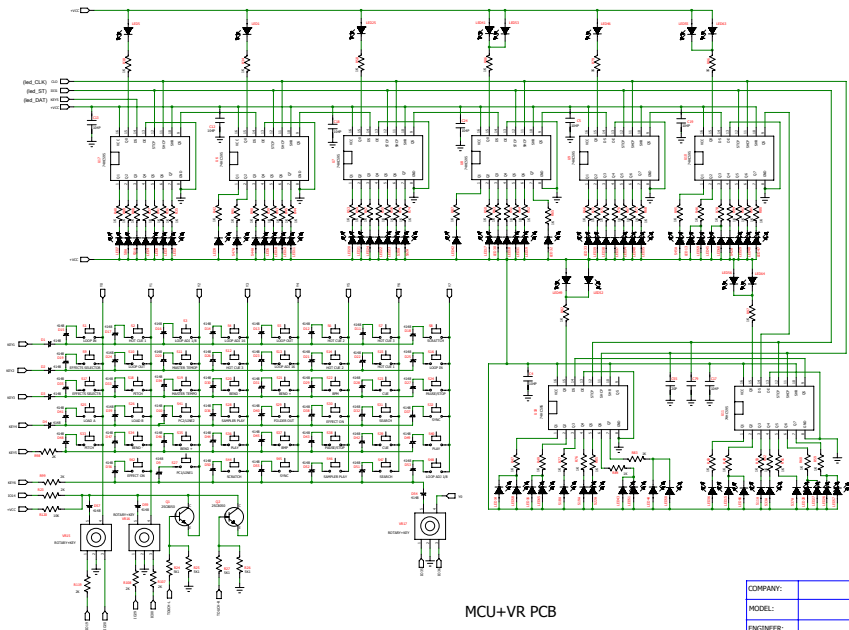


TO CON2



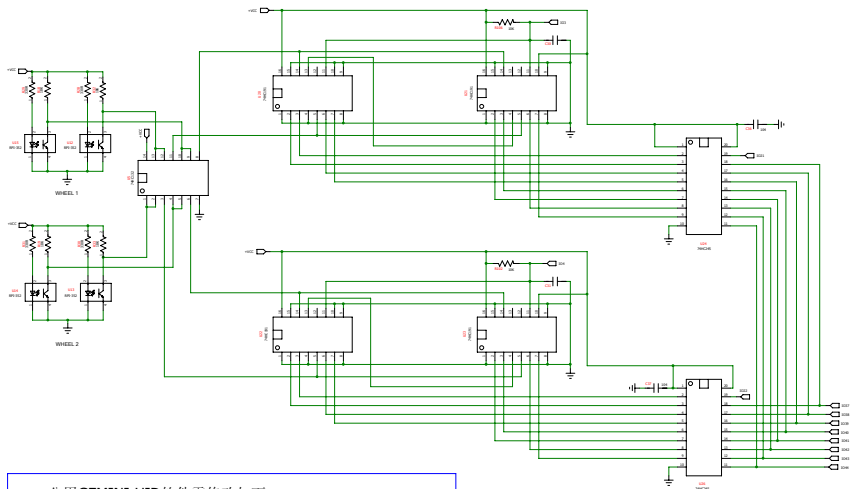
MCU+VR PCB

COMPANY:		
MODEL:		
ENGINEER:		
DATE:	2011.05.12	SHEET: 1 OF 4



MCU+VR PCB

COMPANY:	
MODEL:	
ENGINEER:	
DATE:	2011.05.12
	SHEET: 2 OF 4



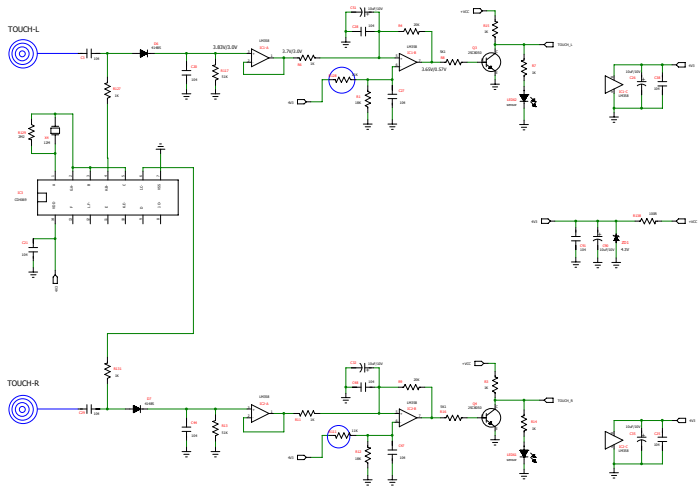
MCU+VR PCB

公用GEMINI-HID软件需修改如下

- 1) U21-U23第十脚需接高电位5V
- 2) U22-U23第11脚需接IO4
- 3) U20-U21第11脚需接IO3

参考MIDI7线路

COMPANY:	
MODEL:	
ENGINEER:	
DATE:	2011.05.12
	SHEET: 3 OF 4



MCU+VR PCB

COMPANY:	
MODEL:	
ENGINEER:	
DATE:	2011.05.12