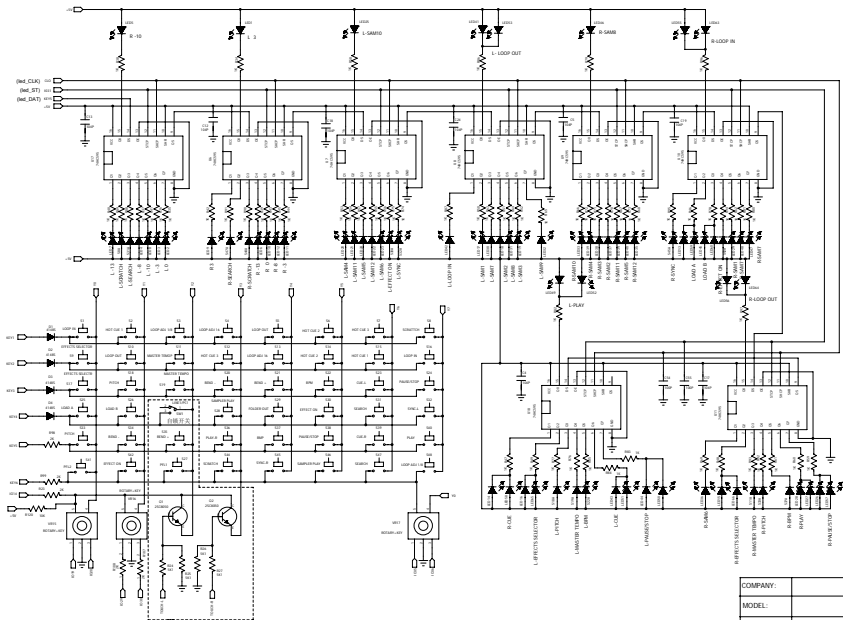
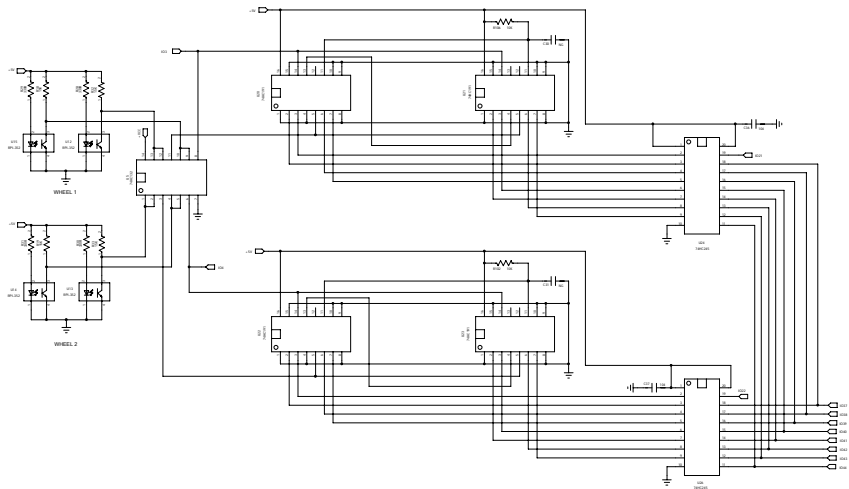


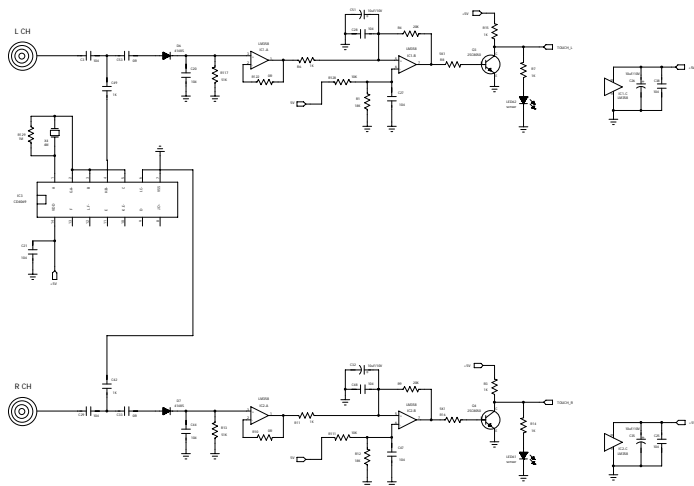
COMPANY:	
MODEL:	
ENGINEER:	
DATE:	2010.06.18



COMPANY:	
MODEL:	
ENGINEER:	
DATE:	2010.06.18



COMPANY:	
MODEL:	
ENGINEER:	
DATE:	2010.06.30
	SHEET: 2 OF 8



COMPANY:	
MODEL:	
ENGINEER:	
DATE:	2010.06.18
	SHEET: 4 OF 8