

6

5

4

3

2

1

REVISION HISTORY			
REV	REV. NO.	DESCRIPTION	DATE

D

C

C

B

A

A

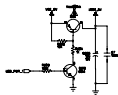
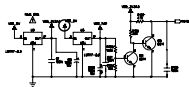
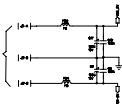
D

C

B

A

DC INPUT



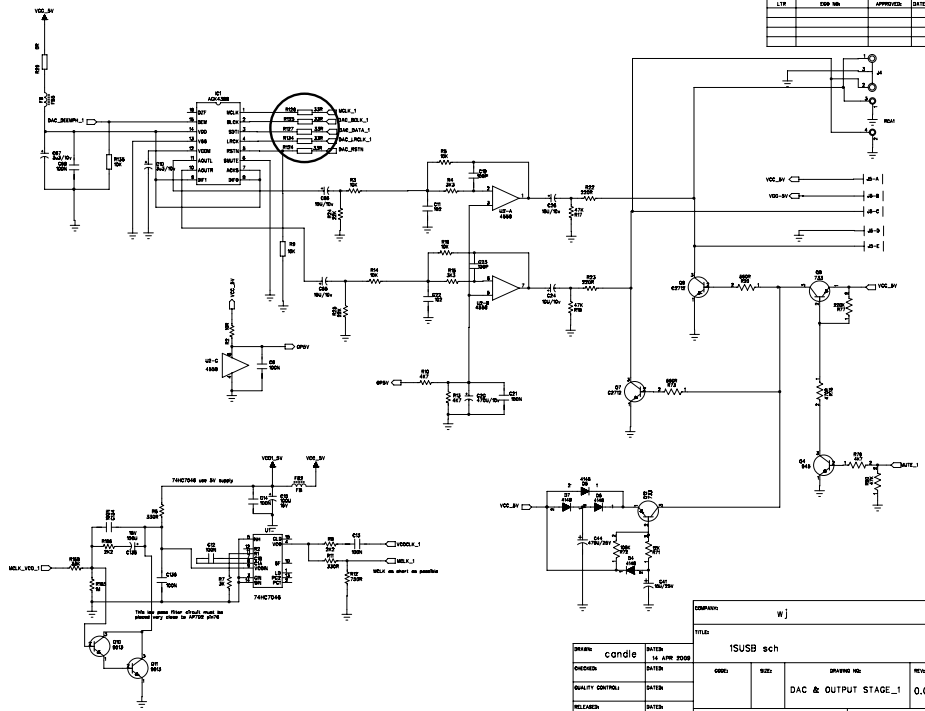
ITEM	CONDIC	QUANT	UNIT

DESCRIPTION			
15USB sch			
POWER SUPPLY_1			

0.0

6 5 4 3 2 1

REVISION RECORD			
LT#	EXP NO	APPROVED	DATE



D
C
B
A

D
C
B
A

DRAWN: candle		DATE: 14_AUG_2008		COMPANY: WJ	
CHECKED: DATE:		DESIGNED: DATE:		TITLE: 1SUSB sch	
QUALITY CONTROL: DATE:		DRWING NO:		REV: 0.0	
RELEASED: DATE:		DRC:		DAC & OUTPUT STAGE_1	
		SCALE:			

