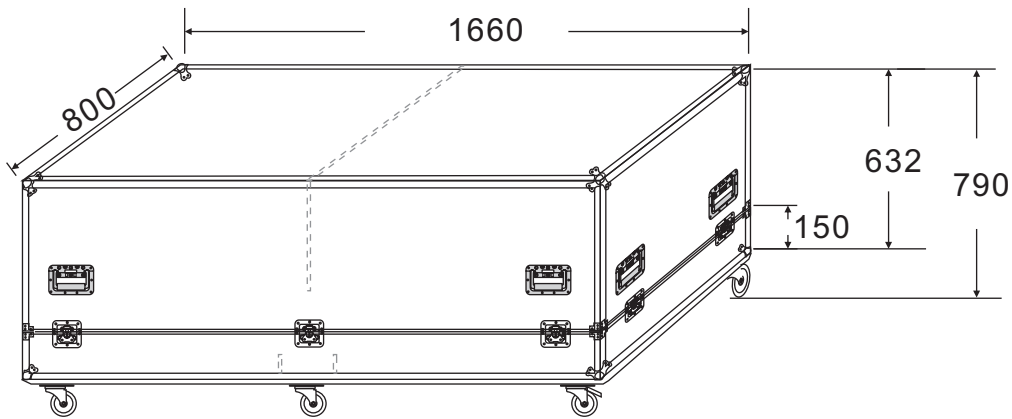


CLA-II5 transport case:



It is able to contain 2pcs CLA-II5 + 2PCS FLYING FRAME + 2PCS CLA-II5 WHEEL BOARD.

Specs:
with 6 4" PU wheels,
10 large butterfly locks
8 case handles

Top cover inner separated in 2 frames

Inner case separate in 3 frames, sticked with EVA material.

Total height: 790 mm

Weight: 70 kg