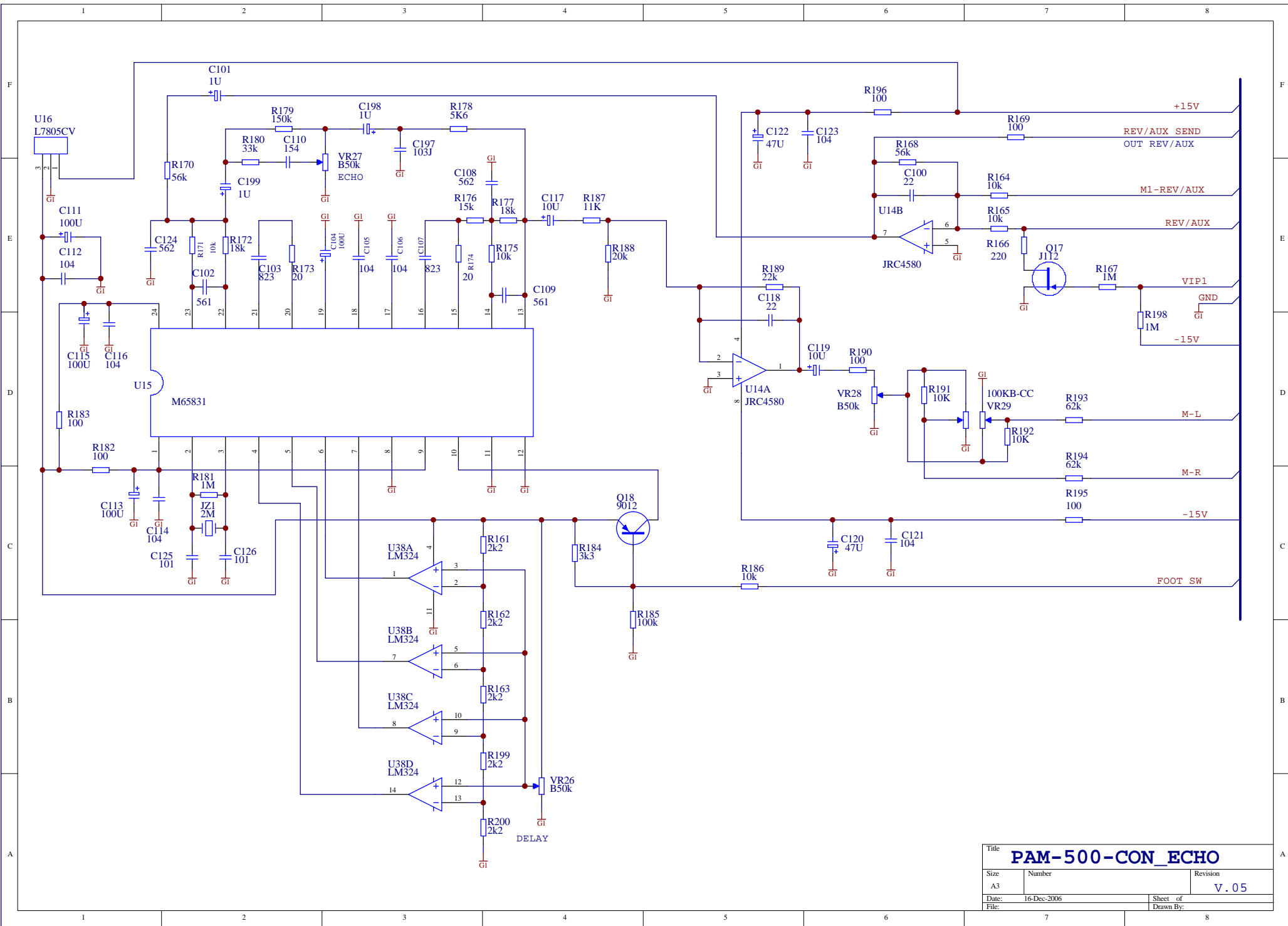
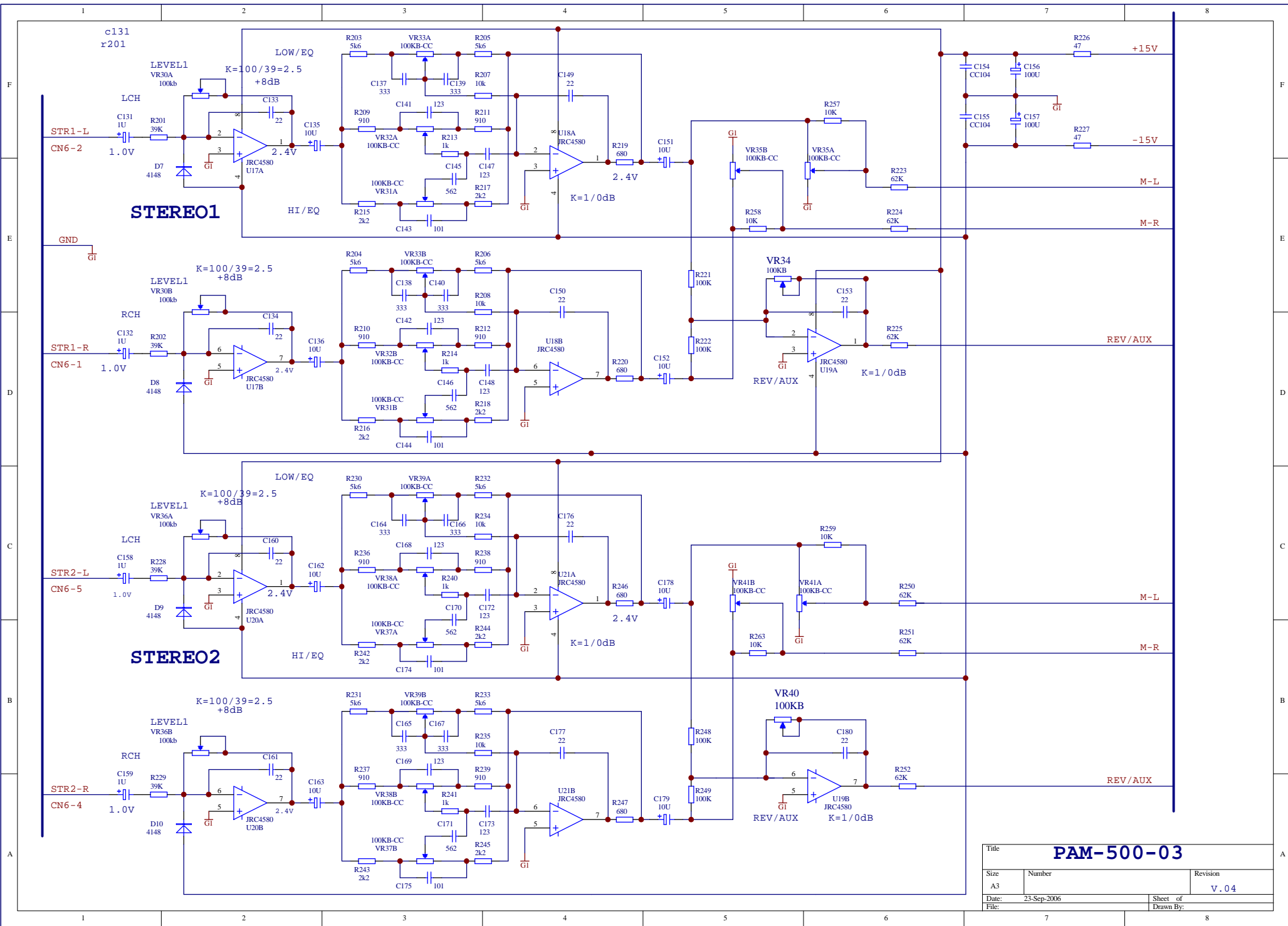


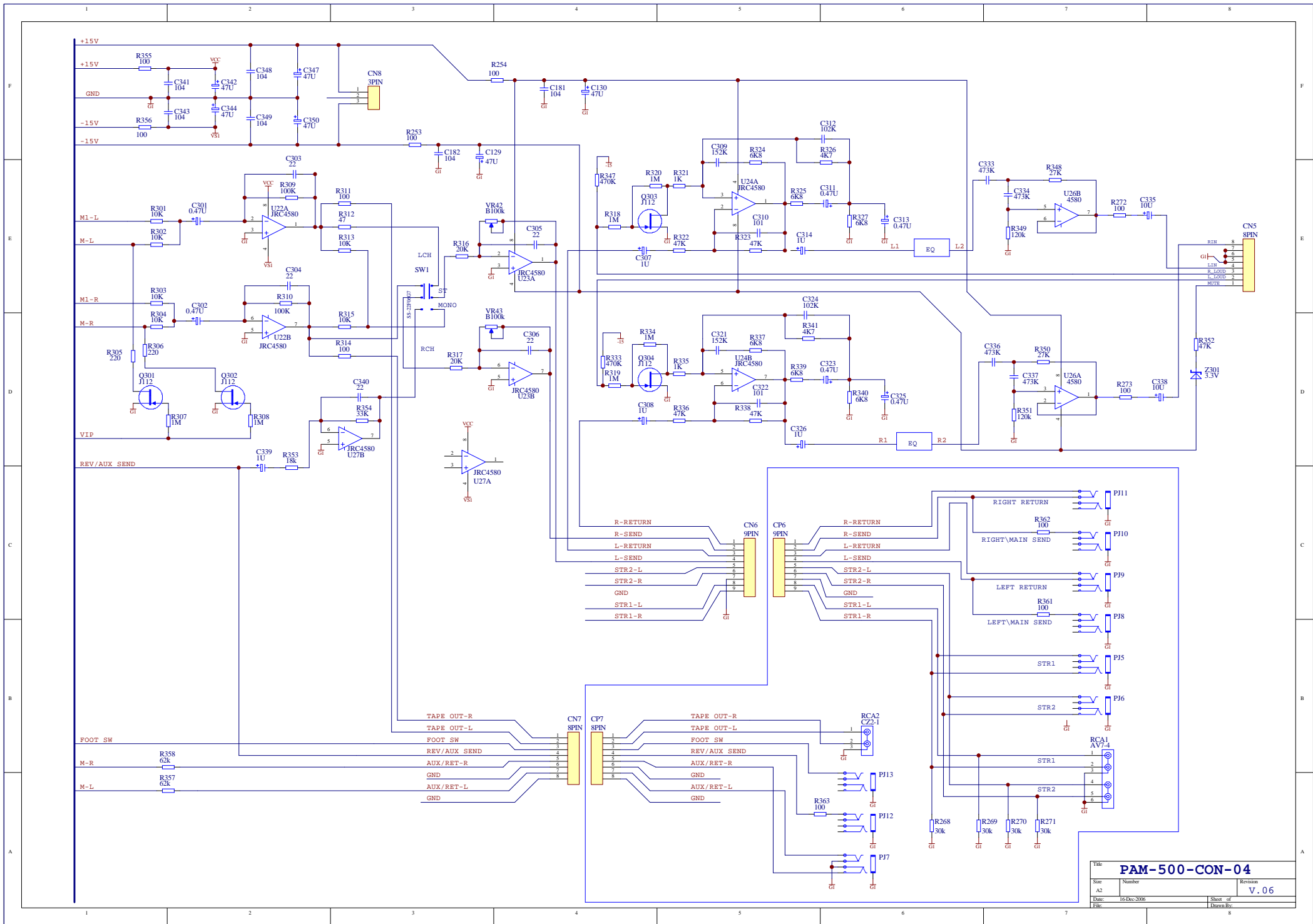
Title		OMNITRONICPAM-500	
Size	Number	Revision	V4
A2			
Date:	23.Sep.2006	Sheet of	
File:		Drawn By:	



Title		
PAM-500-CON_ECHO		
Size	Number	Revision
A3		V.05
Date:	16-Dec-2006	Sheet of
File:		Drawn By:

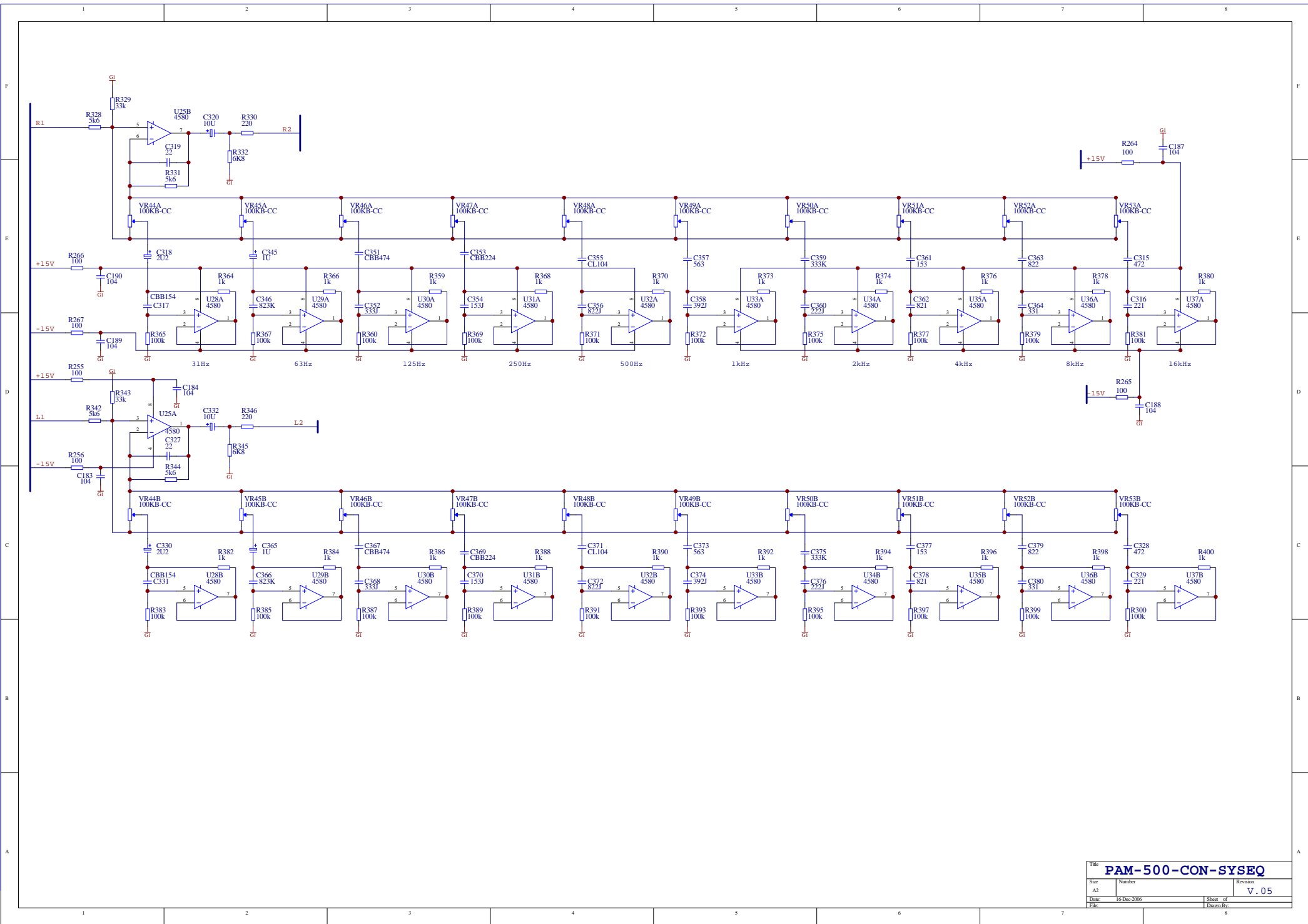


Title			PAM-500-03		
Size	Number	Revision			
A3		V. 04			
Date:	23-Sep-2006	Sheet of			
File:		Drawn By:			

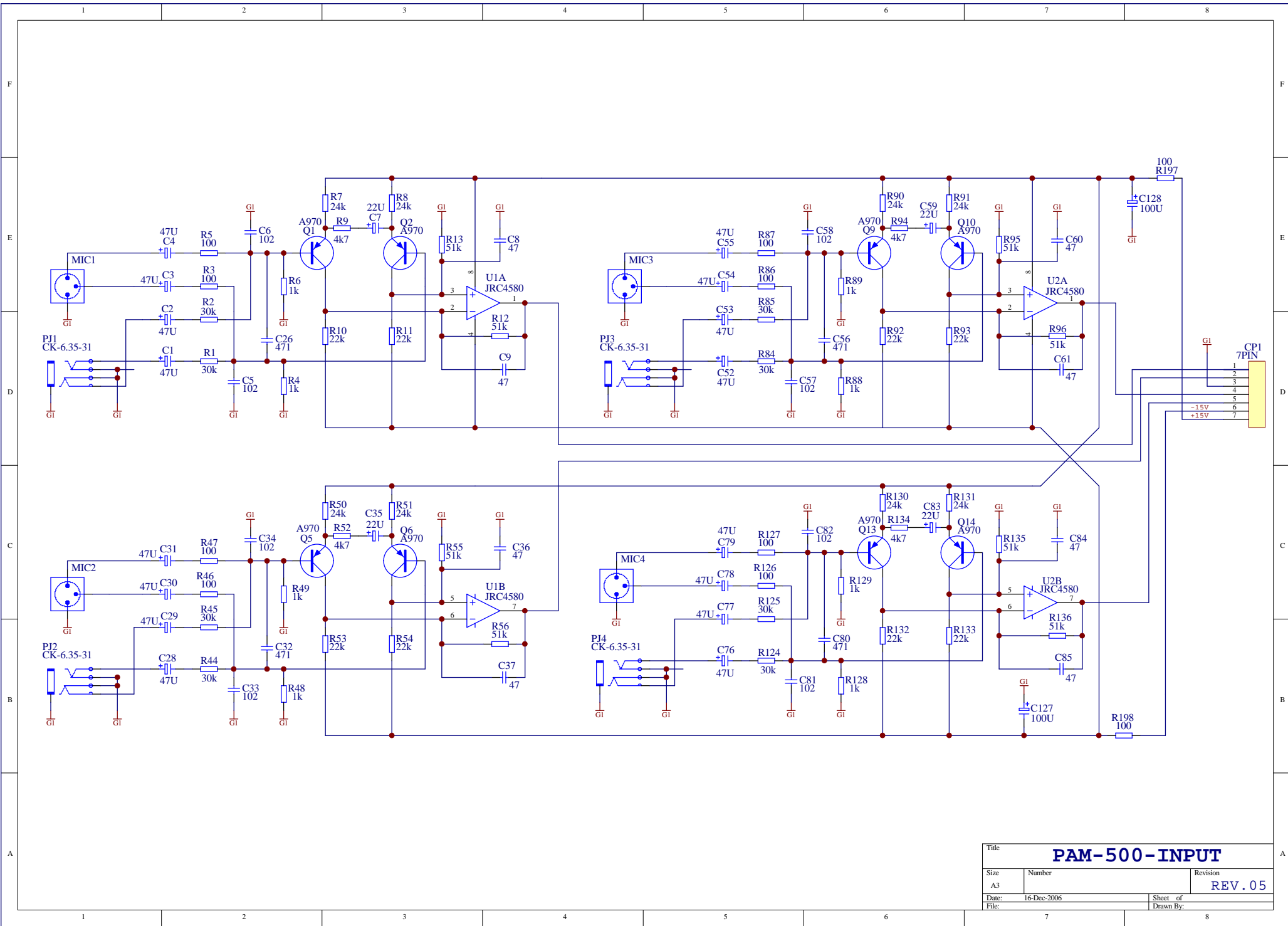


Title		PAM-500-CON-04	
Size	A2	Number	Revision
Date:	16-Dec-2006	Sheet of	8
File:		Drawn By:	

V. 06



PAM-500-CON-SYSEQ		
Size	Number	Revision
A2		V. 05
Date:	16-Dec-2006	Sheet of
File:		Drawn By:



Title			PAM-500-INPUT		
Size	Number	Revision			
A3		REV. 05			
Date:	16-Dec-2006	Sheet of			
File:		Drawn By:			