

**NEW ACS-410BTS**

Mobile column PA system with stereo Bluetooth link, 410 watts

The ACS-410BTS is an active column PA system. For mobile applications it features a high-power subwoofer with a 2-channel class D amplifier module and a full-range column speaker. The system offers mono inputs (XLR and 6.3 mm jack) for microphones and line sources, one stereo input (RCA and 6.3 mm jack), as well as one AUX input for portable audio players. You can stream music wirelessly from your mobile devices via Bluetooth.

The amplifier supplies a power of 310 W and 100 W and is protected with a limiter against overload. The column speaker mounts on top of the subwoofer with the included telescope bar. The integrated stereo Bluetooth link allows for wireless stereo operation with 2 systems linked together.



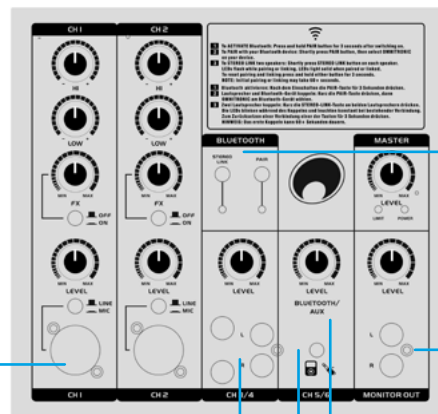
2 mono inputs mic/line with 2-band EQ and adjustable reverb

2 mono inputs mic/line with 2-band EQ and adjustable reverb



Additional stereo RCA and 6.3 mm jack input

**BACKPANEL**



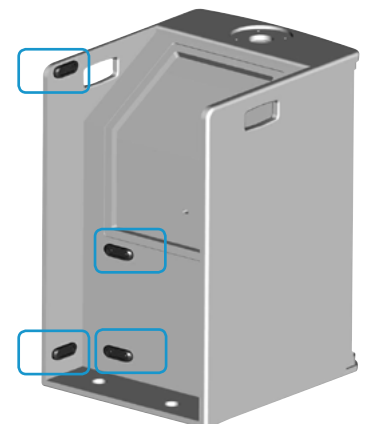
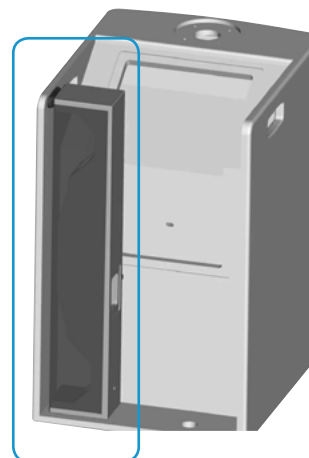
Stereo Bluetooth link for wireless stereo operation with 2 systems linked together

Stereo RCA monitor output

**Bluetooth**  
Stream music wirelessly from your mobile devices (e.g. smartphone, tablet)

Stereo mini jack input

Subwoofer with M20 threaded flange and locking features for secure transport of column speaker and distance tube



**NEW** ACTIVE BLUETOOTH

No. 11038866

**OMNITRONIC ACS-410BTS Active Column Speaker System**

Mobile column PA system with stereo Bluetooth link, 410 watts

