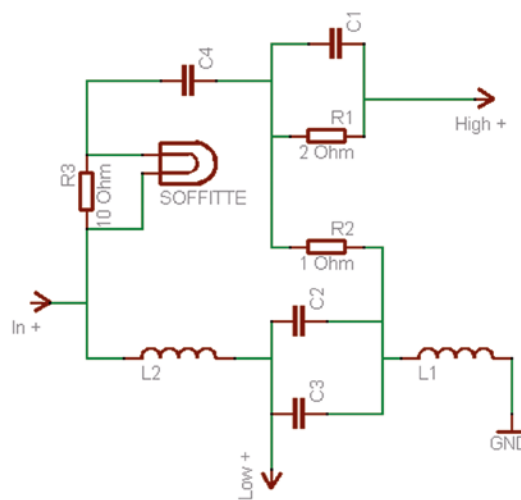


OMNITRONIC AS-900 MKII Active system

No. 11038812

- + 900 W PA system for mobile PA applications
- + Satellite speakers and subwoofer with digital amplifier, crossover and limiter
- + Ideal for solo entertainers, small bands and mobile discos
- + Low weight due to integrated switch-mode power supply

ACTIVE



Weiche AS-900 Top V2 (8.11.2007)

- Mobile subwoofer/satellite system with integrated 3-channel amplifier, 2-way crossover and limiter
- Provides perfect sound and good level stability in various kinds of mobile PA applications up to medium-sized party events - ideal for solo entertainers, small bands and mobile discos
- Several AS-900 systems can be used to set up large PA systems
- With integrated SMPS
- 38 cm subwoofer in bass-reflex cabinet provides powerful, dry bass
- Tops with 20 cm bass-midrange speakers and 2 cm constant directivity horn with coil-driver and passive 2-way crossover
- Balanced inputs via combo jacks (XLR/6.3 mm) and parallel outputs (XLR) for feed-through of the input signal to a second system
- Satellite speaker connection via lockable Speaker plugs
- Complete protection set, among others with opto limiter and subsonic filter against extremely low frequencies
- Level controls for the subwoofer and the satellite speakers, as well as bass and treble EQ for the satellite speakers
- Subwoofer in multiplex wood cabinet, satellite speakers in MDF cabinet with scratch-resistant lacquer surface and impact-resistant steel grille with acoustic foam
- Satellite speakers with stand flanges and trapezoidal shape for easy clustering
- Subwoofer also with D20 thread for accepting a speaker stand tube and 4 castors for easy transportation
- Tops can be used lying, standing, suspended, mounted to a stand or to a stand tube on the subwoofer
- Subwoofer can be used lying or standing
- Power connection via PowerCon jack and included power cable
- Delivery includes two 5-meter speaker cables from the subwoofer to the satellite speakers

Technical specifications:

Satellite speakers:	
Rated power:	150 W RMS
Program power:	200 W
Components:	20 cm woofer (8"), 2 cm horn (0.75")
Connections:	1 Speaker jack
Sensitivity (1 W/m):	99 dB
Max. SPL (1 m):	121 dB
Impedance:	4 ohms
Frequency range:	120 Hz - 18 kHz
Crossover frequency:	2.5 kHz
Dispersion angle (1 kHz):	60° x 90°
Dimensions (HxWxD):	420 x 275 x 250 mm
Weight:	11 kg
Subwoofer:	
Rated power:	500 W RMS
Program power:	600 W
Components:	38 cm woofer (15")
Inputs:	2 x combo jack XLR/6.3 mm
Through:	2 x XLR
Outputs:	2 x Speaker
Sensitivity (1 W/m):	101 dB
Max. SPL:	127 dB
Impedance:	8 ohms
Frequency range:	45 - 250 Hz
Dimensions (HxWxD):	545 x 455 x 505 mm
Weight:	45 kg
Amplifier:	
Power supply:	230 V AC, 50 Hz ~
Power consumption (max.):	1000 W
Total power output:	900 W RMS
Power output to satellite speakers (RMS):	
Stereo 4 ohms:	2 x 150 W
Nominal power output subwoofer:	600 W RMS
Min. input sensitivity:	0.775 V
Control elements:	power switch, satellite level control, low/high equalizer, subwoofer level control, frequency crossover, limiter
LED indicators:	power and signal/limit per channel
Protection circuits:	short-circuit, DC voltage, thermal protection, softstart, opto limiter, subsonic filter
Equalizer	
Tone control/channel:	
Treble:	±10 dB at 10 kHz
Bass:	±10 dB at 75 Hz
Active crossover:	
Crossover frequency:	50 - 250 Hz
Accessories:	
POWERCON connection cable, 5.0m H07RN-F	No. 30235034