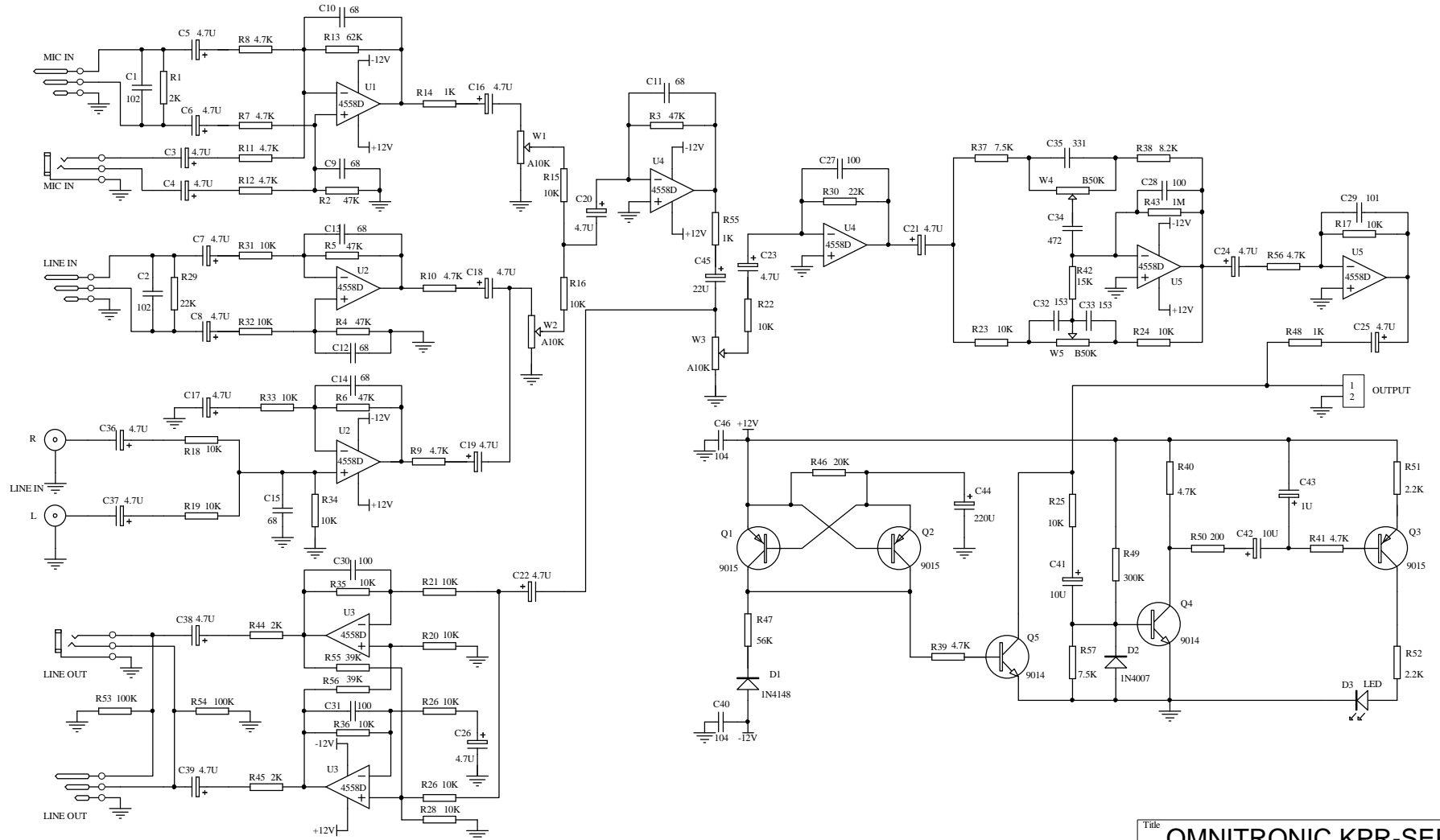


Title		
<b>OMNITRONIC KPR-SERIES</b>		
Size	Number	Revision
B		
Date:	17-Jun-2006	Sheet of
		Drawn By:



Title		
<b>OMNITRONIC KPR-SERIES</b>		
Size	Number	Revision
B		
Date:	17-Jun-2006	Sheet of
		Drawn By: