



KB-210A

KB-212A

KB-215A

Service-Dokumente

Service-documents

Documents de service

Documentos de servicio

Version 1.0

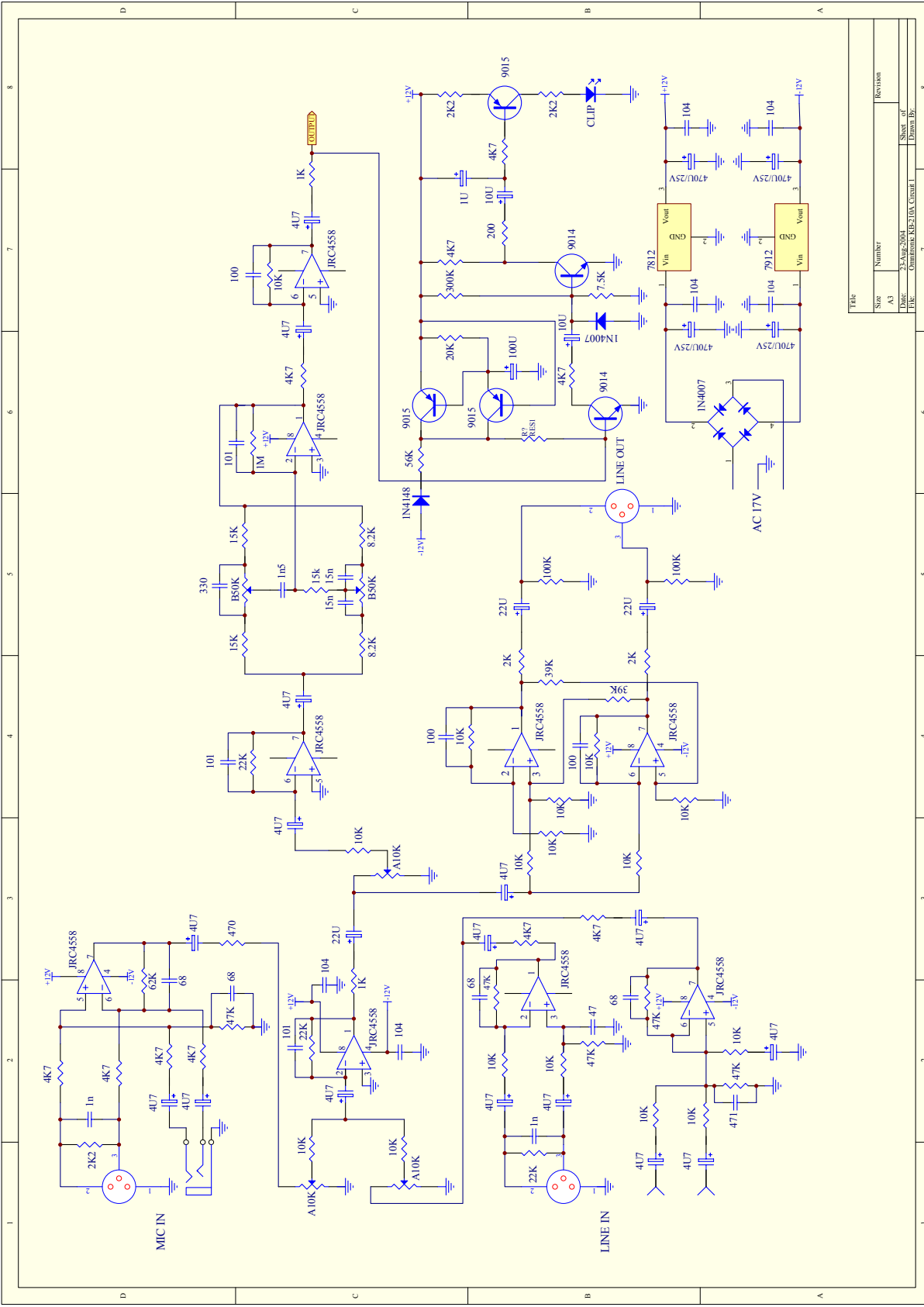
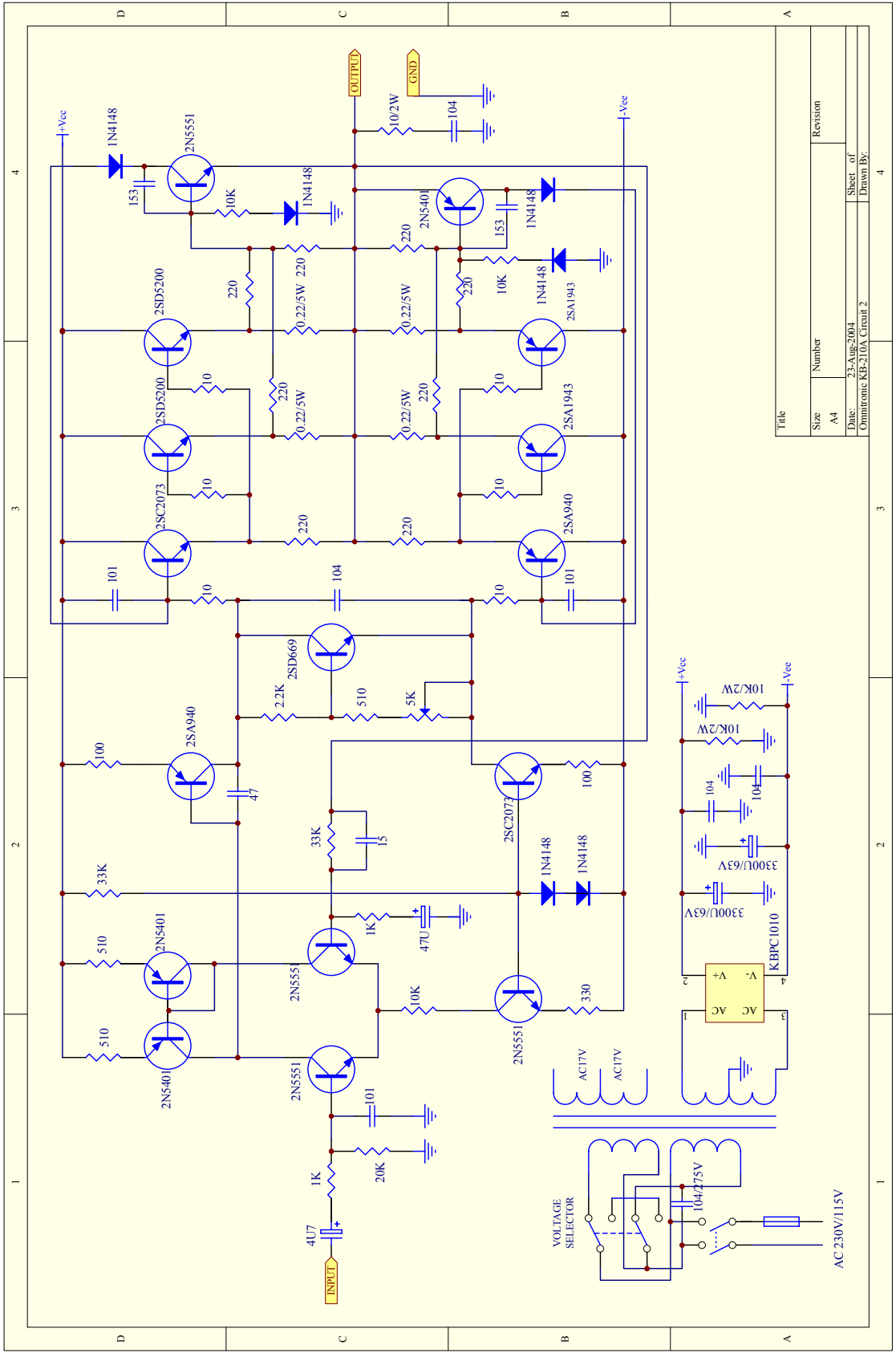


Table		
Size	Number	Revision
A3		
Date	23-Aug-2004	
File	Gm500ns-EE-310A-Circuit-1	
	Sheet of	8
	Drawn By	



Title		Revision	
Size	Number		
A4			
Date:	23-06-2024	Sheet of	
Omnitronic KIP-200A Circuit 2		Drawn By:	

4

3

2

1

D

C

B

A

D

C

B

A

4

3

2

1

AC 230V/115V

VOLTAGE SELECTOR

AC AC

V. V+

KBPC1010

3300µ/63V

3300µ/63V

10K/2W

10K/2W

10K/2W

10K/2W

10K/2W

10K/2W

10K/2W

10K/2W

10K/2W

10K/2W

10K/2W

10K/2W