



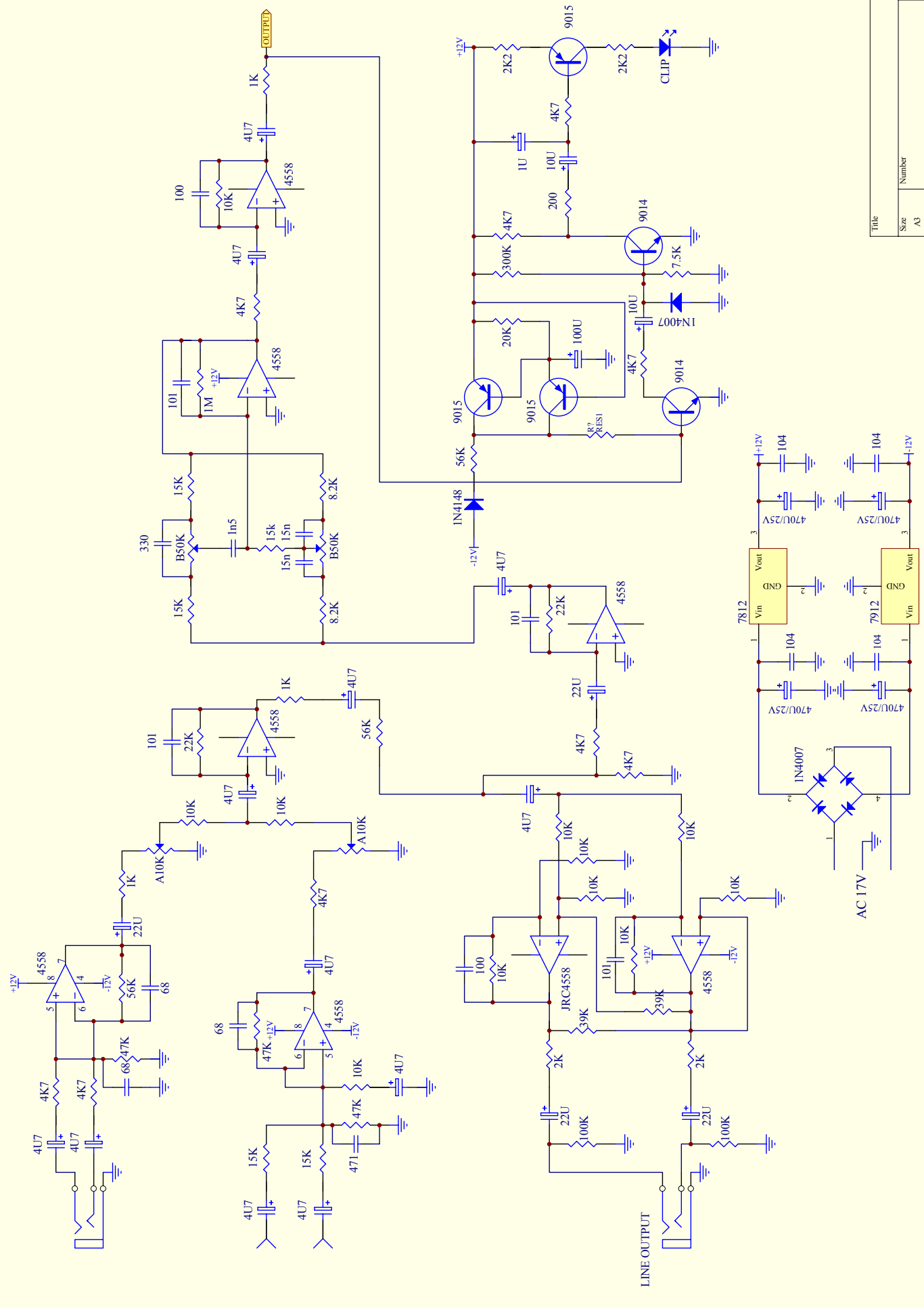
KB-208A

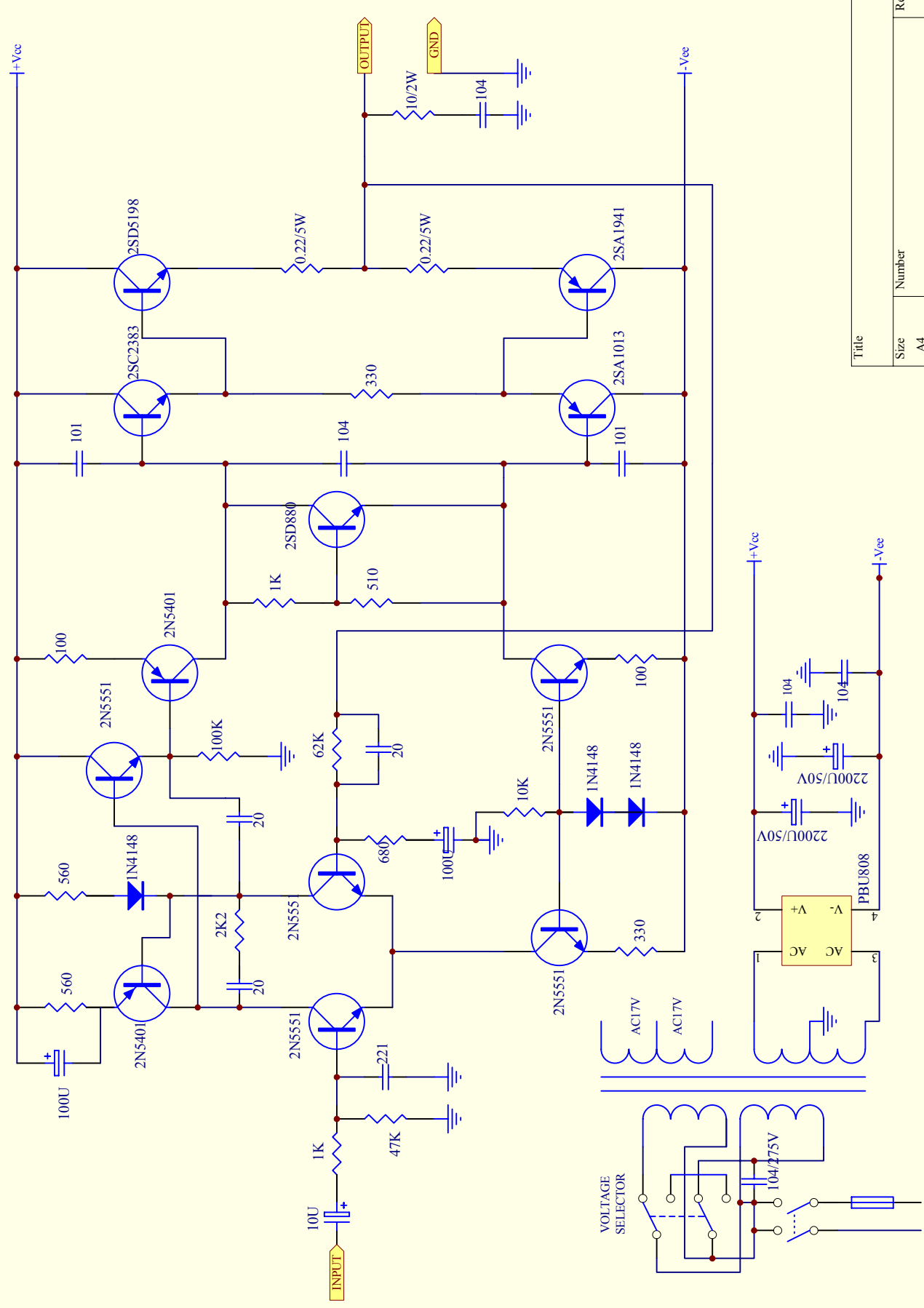
Speaker-system

Service-Dokumente
Service-documents
Documents de service
Documentos de servicio

Version 1.0

Title		Revision	
Size	Number		
A3			
Date:	Sheet of		
File:	Drawn By:		





Title	
Size	Number
A4	
Date:	Revision
23-Aug-2004	
File:	Sheet of
Omnitronic KB-208A Circuit 2	Drawn By: