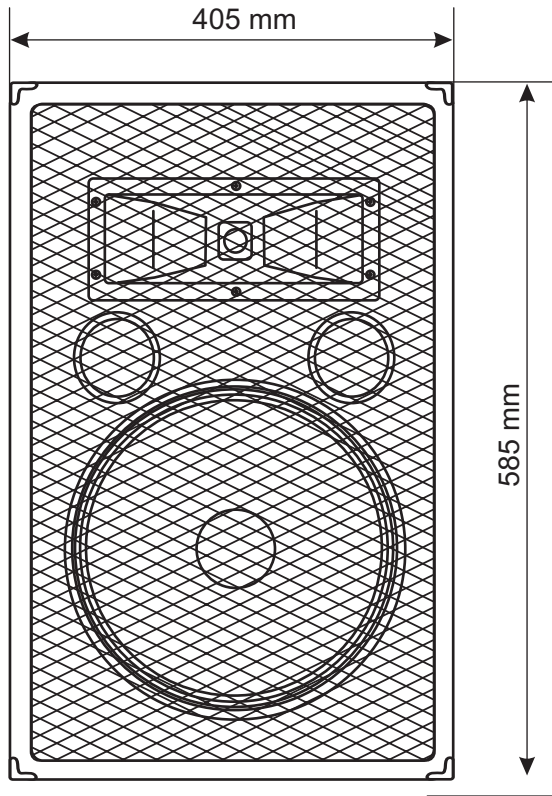




www.omnitronic.com

OMNITRONIC M-1230 monitor 12" 600 W
No. 11038012



OMNITRONIC
www.omnitronic.com
Monitor Speaker-System
M-1230
Nominal power: 300 W RMS
Max. power: 600 W
Bass: 12"
Speakers: 1 horn
Connections: 2 Speaker
Sensitivity: 96 dB
Impedance: 8 Ohms
Frequency range: 40 - 18.000 Hz

