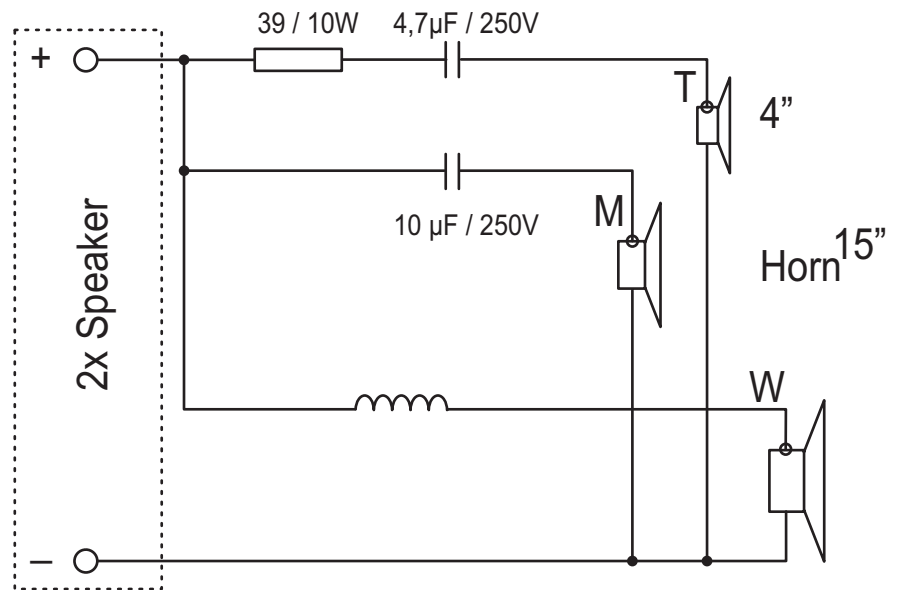
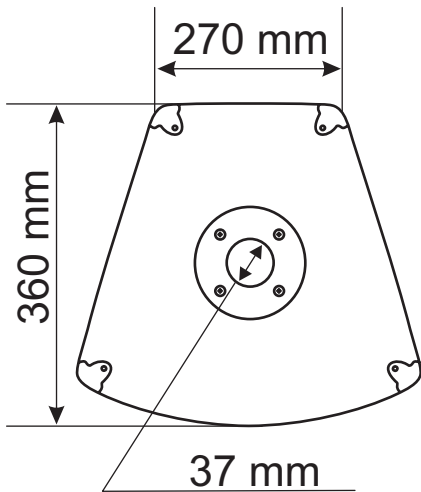
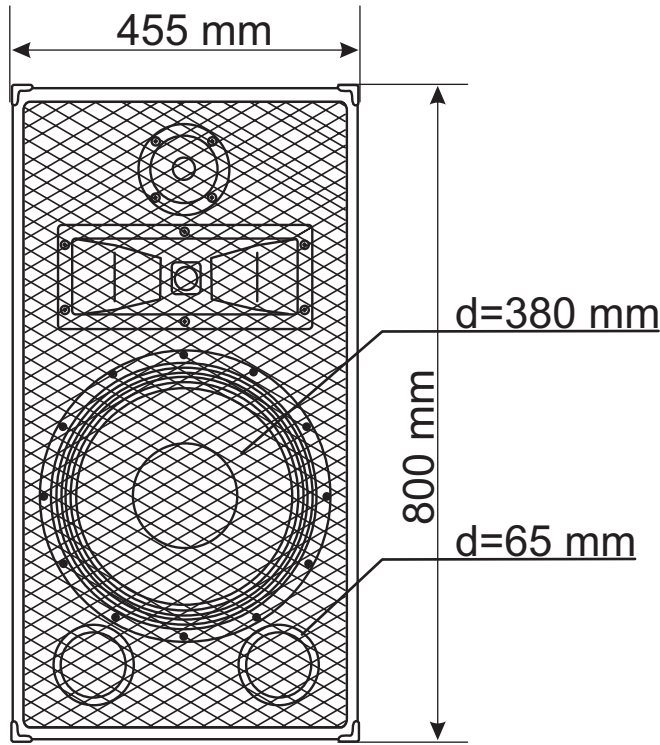




[www.omnitronic.com](http://www.omnitronic.com)

**OMNITRONIC TX-1520, 3-way speaker, 900 W**  
**No. 11037638**



**CAUTION**  
**Avoid injury.**  
 Read and understand user manual before operating this product. Operation only by a trained person.

**DANGER**  
**Impact hazard.**  
 This speaker-system must never be suspended! Danger to life due to crashing speaker-systems.

**CAUTION**  
**Fire hazard.**  
 Keep away cigarettes, open fire, heaters etc. Treat the surface with fire retardant in regular intervals.

**WARNING**  
**Loud noise hazard.**  
 Ear protection must be worn.