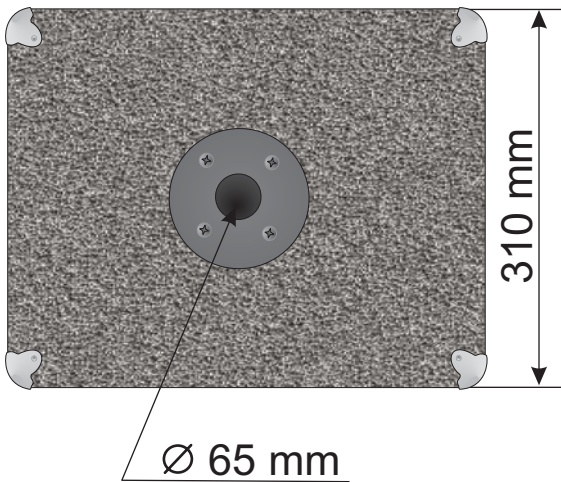
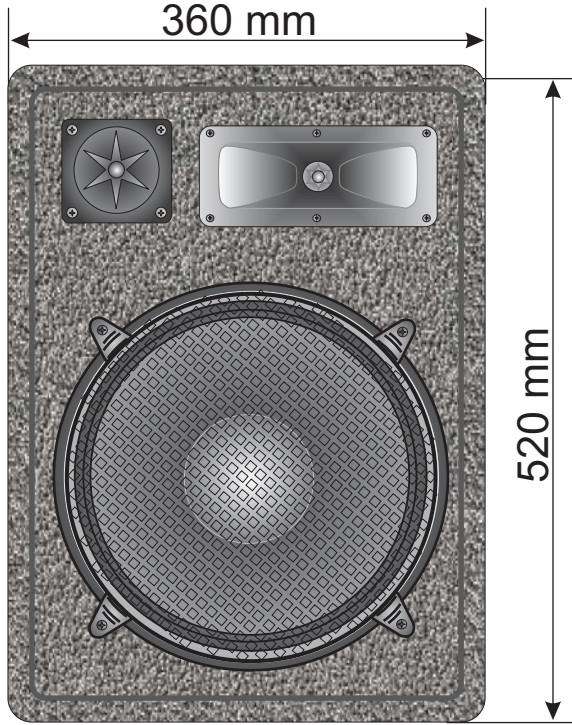




www.omnitronic.com

OMNITRONIC DX-1222 3-way speaker, 600 W
No. 11037071



	CAUTION Fire hazard. Keep away cigarettes, open fire, heaters etc. Treat the surface with fire retardant in regular intervals.
	WARNING Loud noise hazard. Ear protection must be worn.

	CAUTION Avoid injury. Read and understand user manual before operating this product. Operation only by a trained person.
	DANGER Impact hazard. This speaker-system must never be suspended! Danger to life due to creating speaker-systems.

