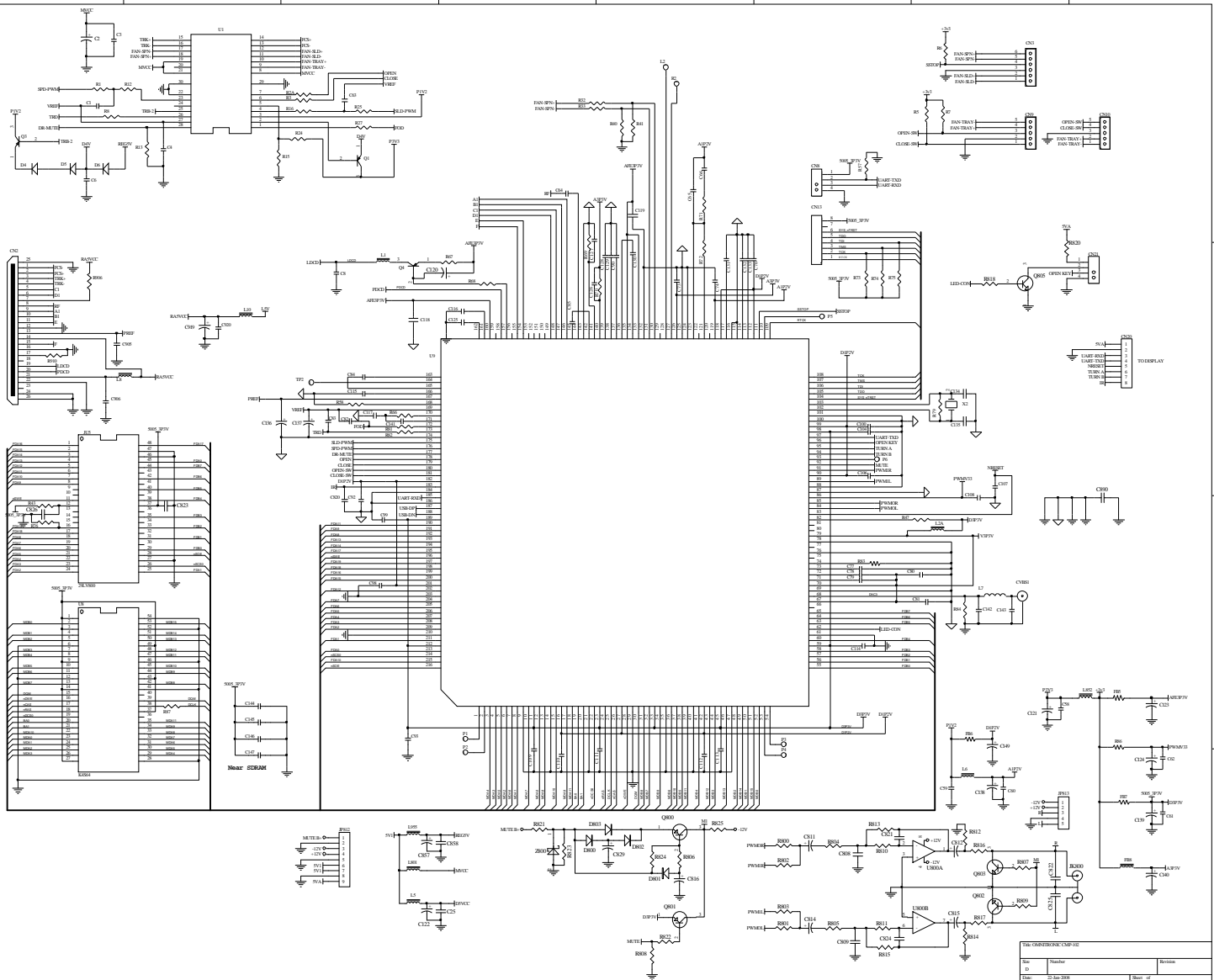
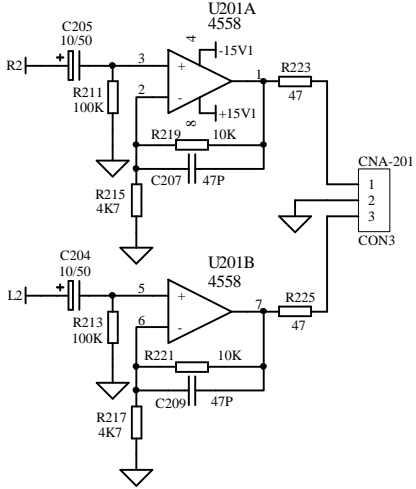
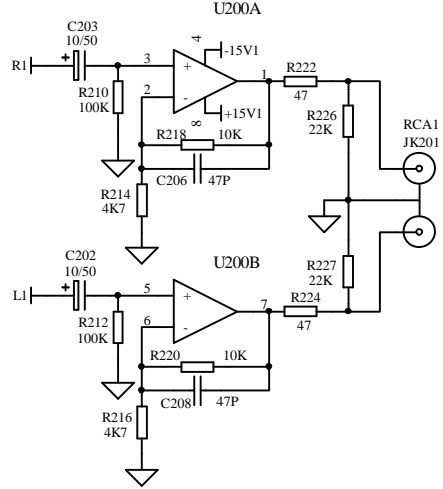
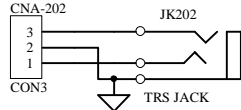
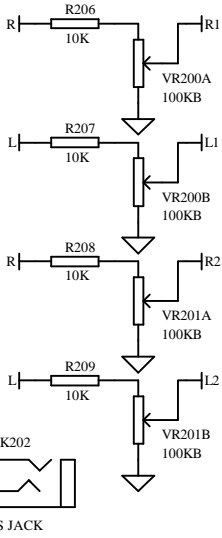
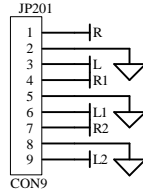
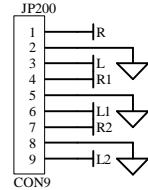
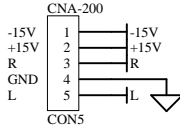
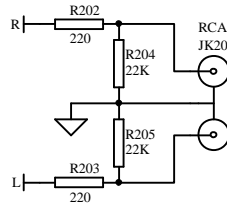
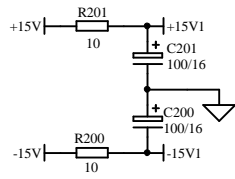


Title: OMNITRONIC CMP-102		
Size: A3	Number:	Revision:
Date: 22-Jan-2008	Sheet of	
		Drawn By:



THE GENERAL ELECTRIC COMPANY		
Doc. ID	Number	Revision
100-100000	100-100000	1



Title OMNITRONIC CMP-102:		
Size A4	Number	Revision
Date: 22-Jan-2008	Sheet of Drawn By:	