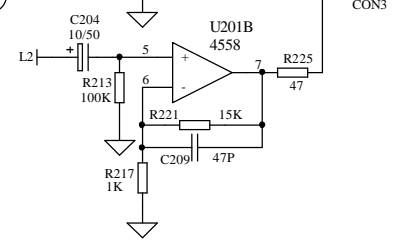
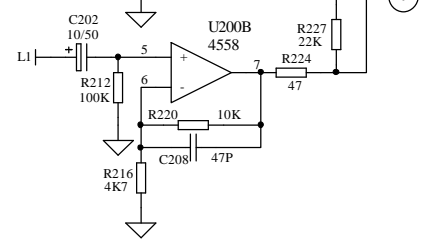
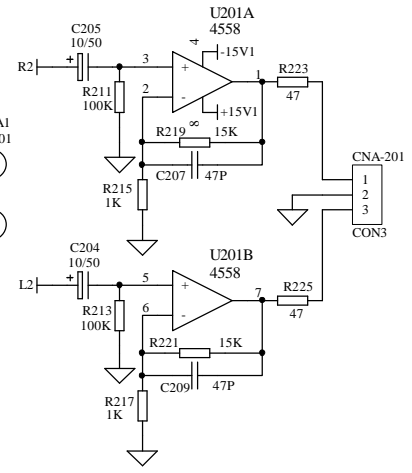
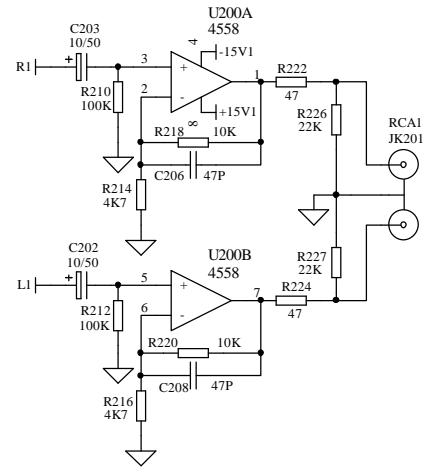
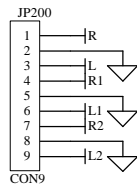
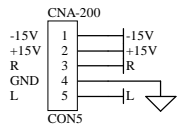
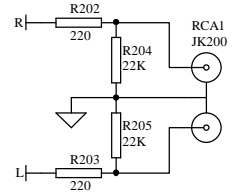
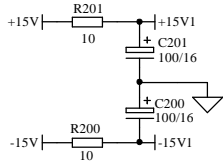
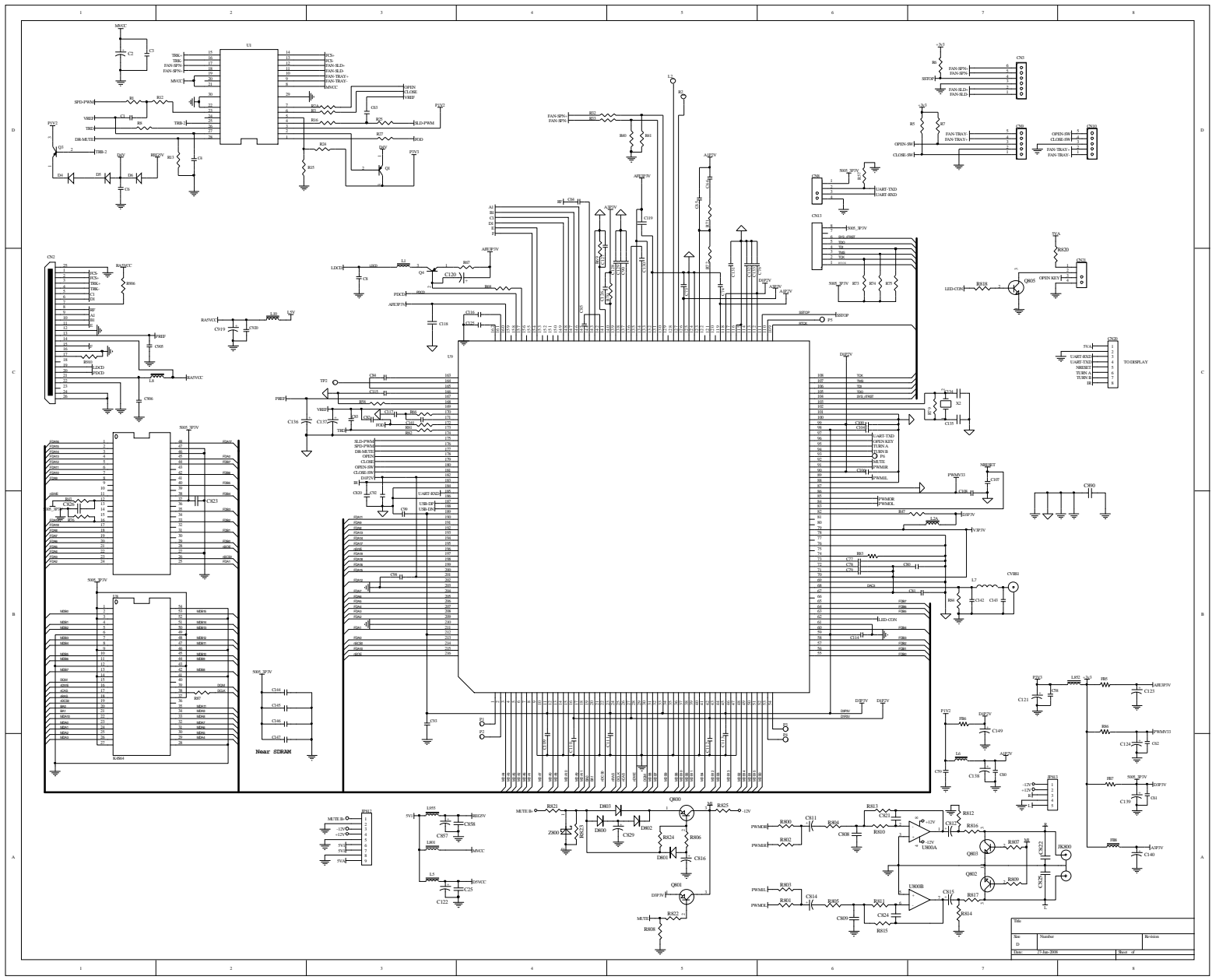


Title		
Size	Number	Revision
A3		
Date:	27-Jun-2008	Sheet of
		Drawn By:



Title		
Size	Number	Revision
A4		
Date:	27-Jun-2008	Sheet of
		Drawn By:



Rev	Number	Revision
1	1	
2	2	
3	3	
4	4	
5	5	
6	6	
7	7	
8	8	
9	9	
10	10	