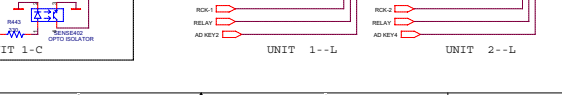
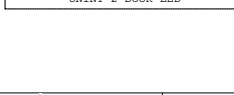
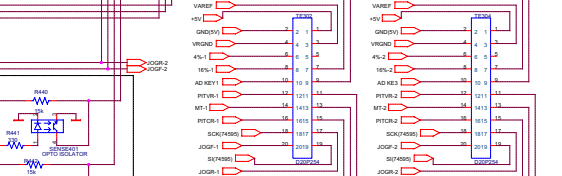
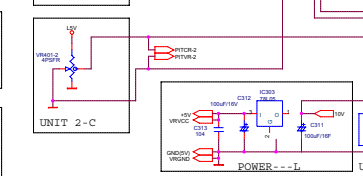
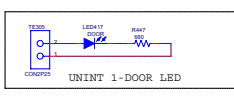
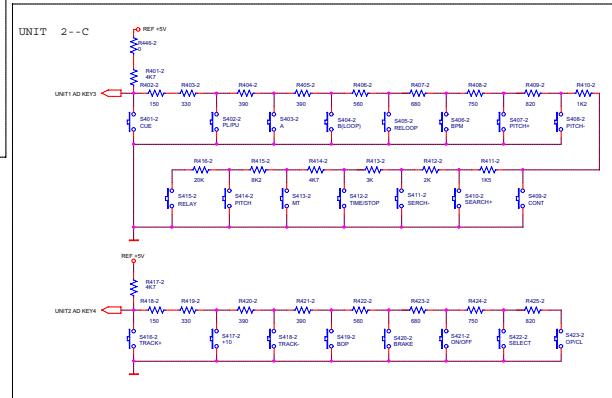
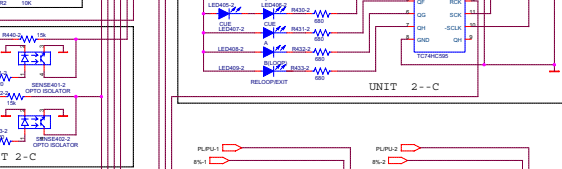
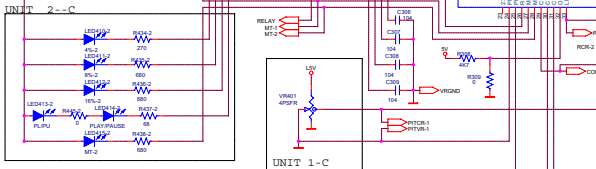
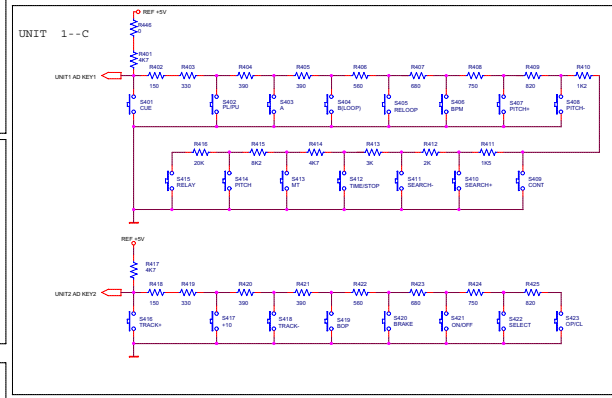
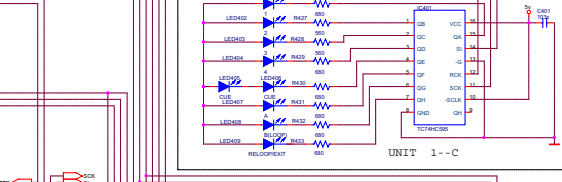
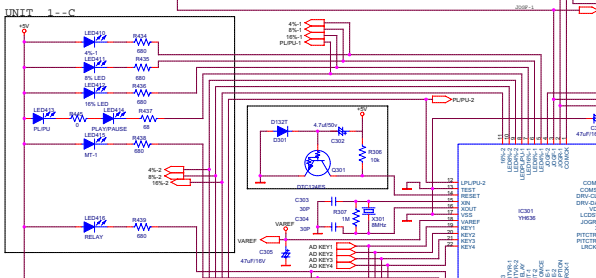
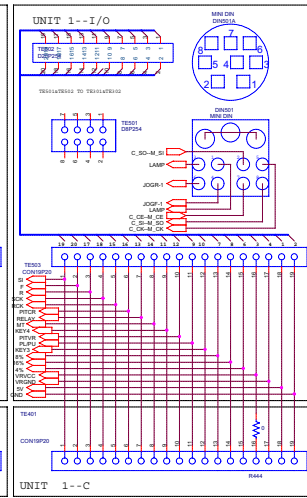
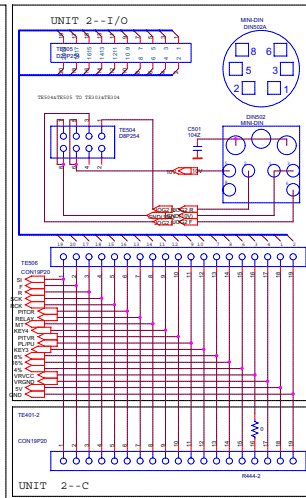
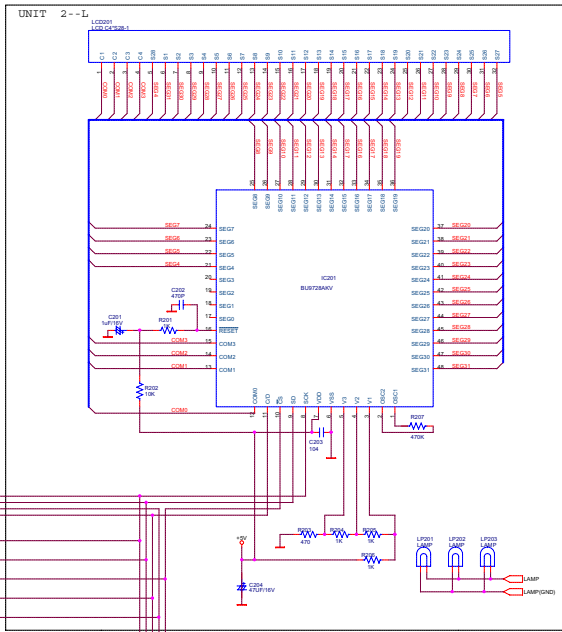
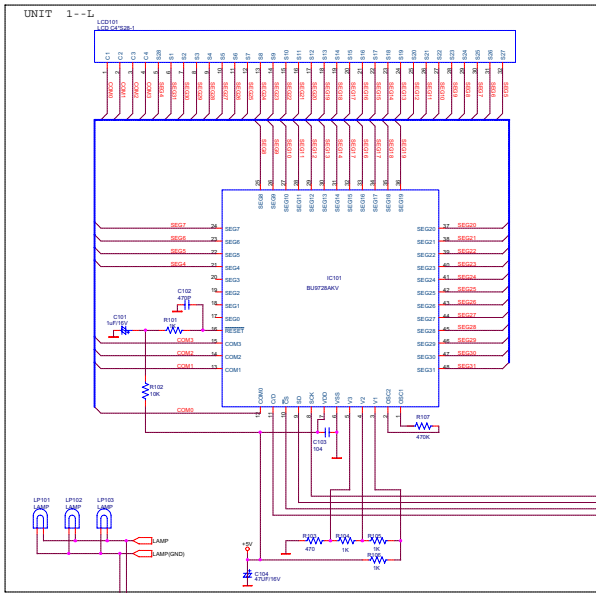


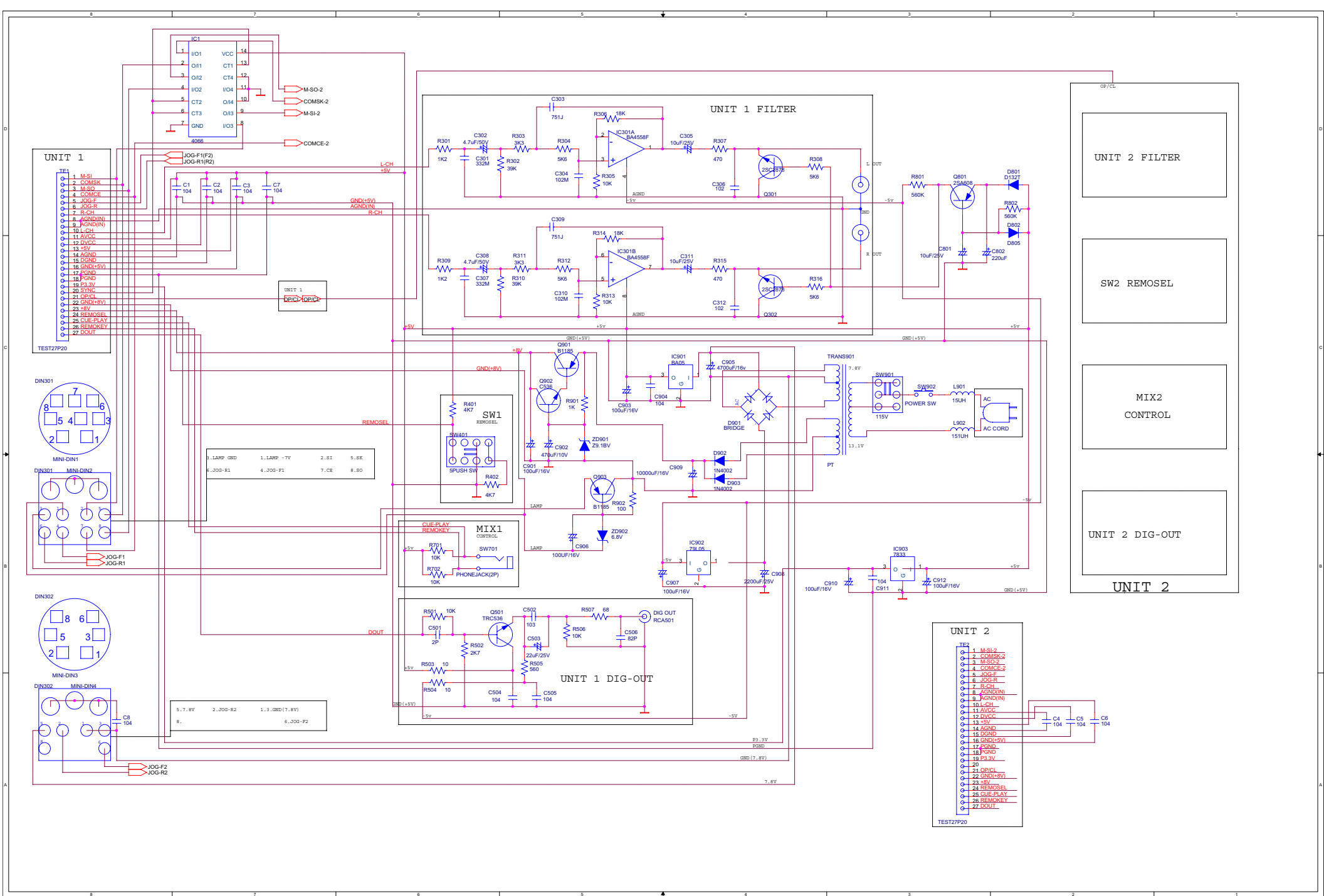
DSP.SCH
 DRAM AND FLASH ROM NEW ADDRESS
 DSP ICE 9P

MAIN2

APPROVAL	CHECK	DESIGN	REV	DATE	DESCRIP RFISSIONS

Title		Revision	
Size	Number	Revision	
A3	YAH CDJ636	V1.1	
Date:	30-Oct-2001	Sheet of	2 / 3
File:	D:\Client98\CDJ636DSP.sch	Drawn By:	

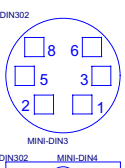
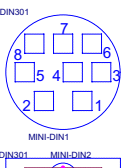




UNIT 1

1	M-SI
2	COMSK
3	M-SO-2
4	COMCE
5	JOG-R
6	JOG-R
7	R-CH
8	AGND(IN)
9	AGND(IN)
10	L-CH
11	AVCC
12	DVCC
13	5V
14	AGND
15	AGND
16	GND(+5V)
17	FGND
18	FGND
19	P3.3V
20	SING
21	OPCL
22	GND(+5V)
23	5V
24	REMOSEL
25	CUE-PLAY
26	REMOKEY
27	DOUT

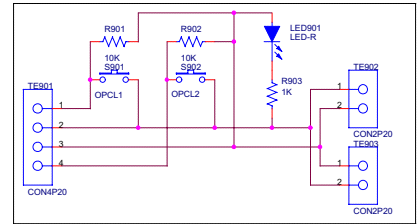
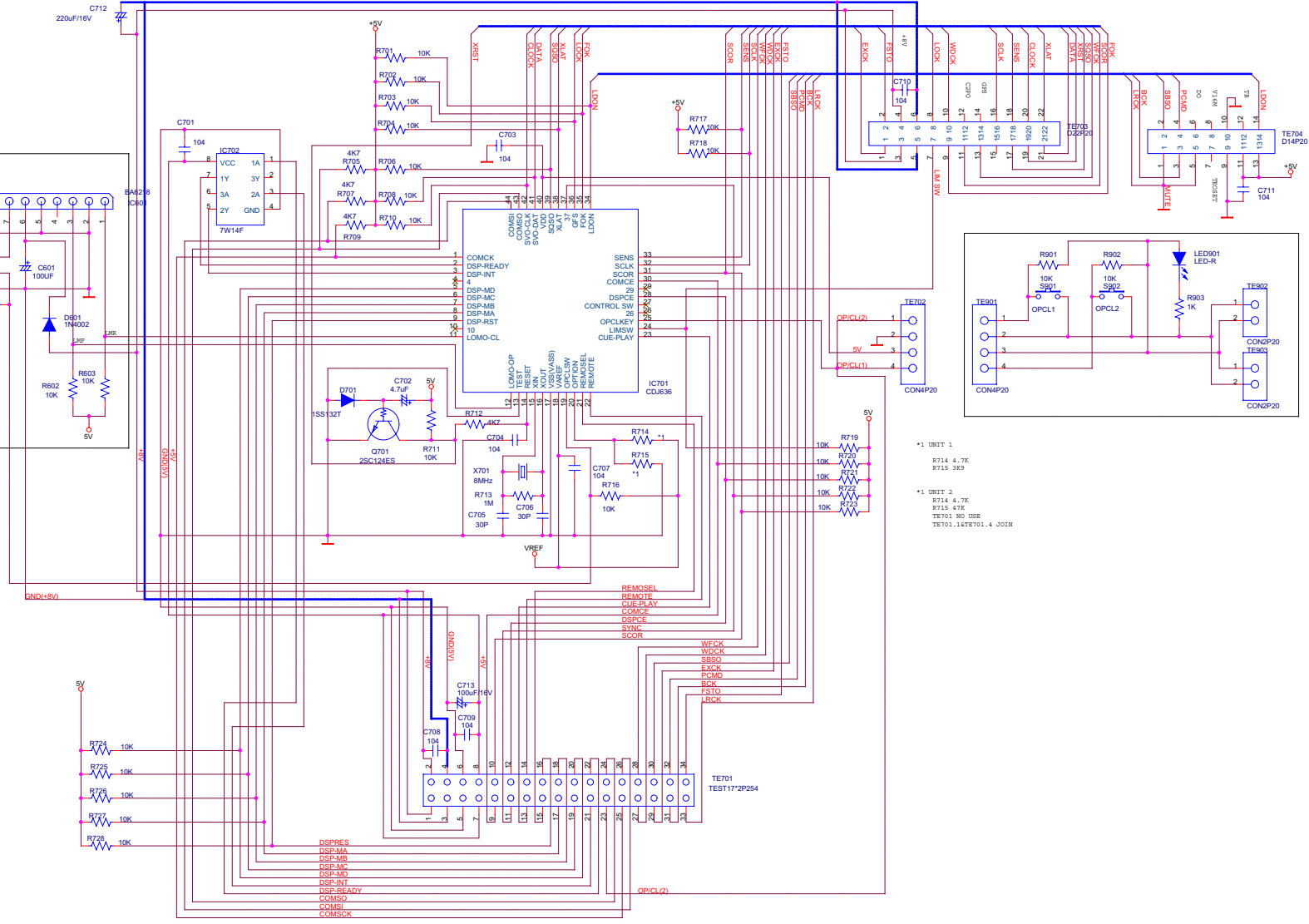
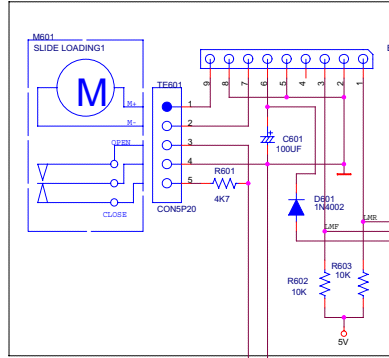
TEST27P20



UNIT 2

1	M-SI-2
2	COMSK-2
3	M-SO-2
4	COMCE-2
5	JOG-R
6	JOG-R
7	R-CH
8	AGND(IN)
9	AGND(IN)
10	L-CH
11	AVCC
12	DVCC
13	5V
14	AGND
15	AGND
16	GND(+5V)
17	FGND
18	FGND
19	P3.3V
20	SING
21	OPCL
22	GND(+5V)
23	5V
24	REMOSEL
25	CUE-PLAY
26	REMOKEY
27	DOUT

TEST27P20



- *1 UNIT 1
R714 4.7K
R715 35Ω
- *1 UNIT 2
R714 4.7K
R715 47K
TE701 NO USE
TE701.14TET01.4 JOIN

