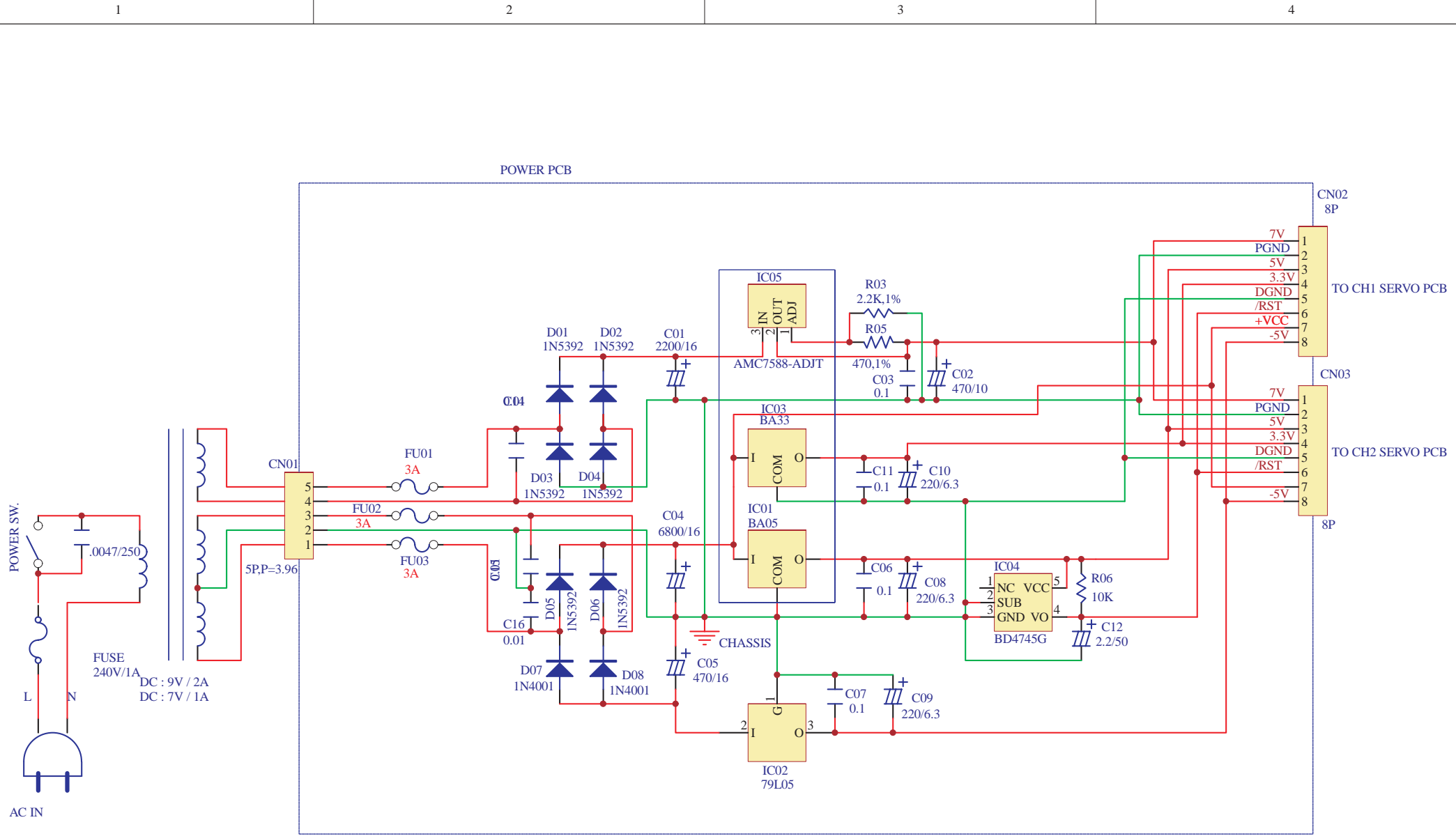


Title			SERVO PCB D.OUT PCB		
Size	Number	CDP-462		Revision	5
Date:	9-Dec-2005		Sheet of		
File:					



Title			
POWER PCB			
Size	Number	Revision	
A3	CDP-462	1	
Date:	4-Nov-2005	Sheet of	

1

2

3

4

D

D

C

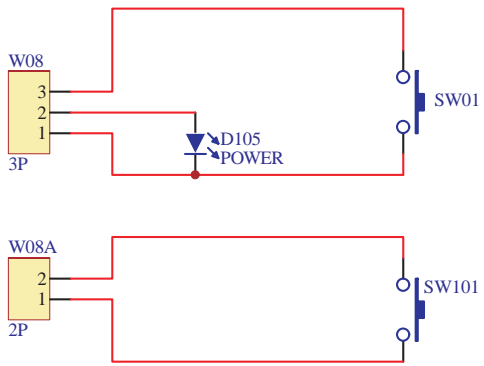
C

B

B

A

A



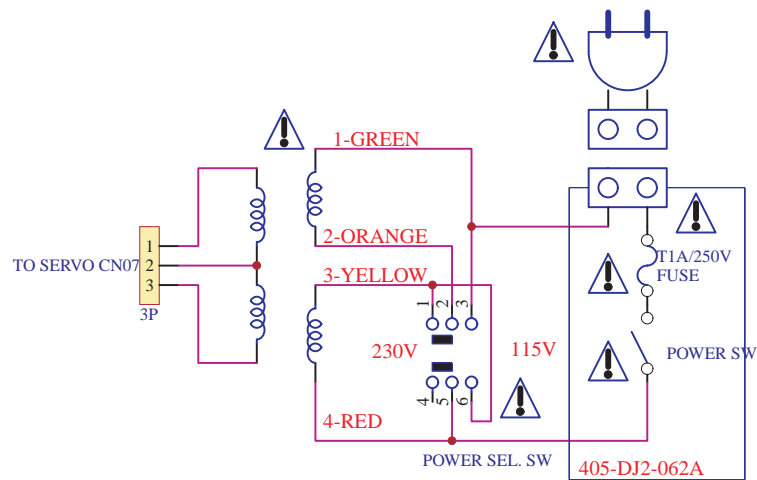
Title				OP/CL PCB			
Size	Number		Revision		Date:		Sheet of
A3	CDP-462		3		23-Nov-2005		

1

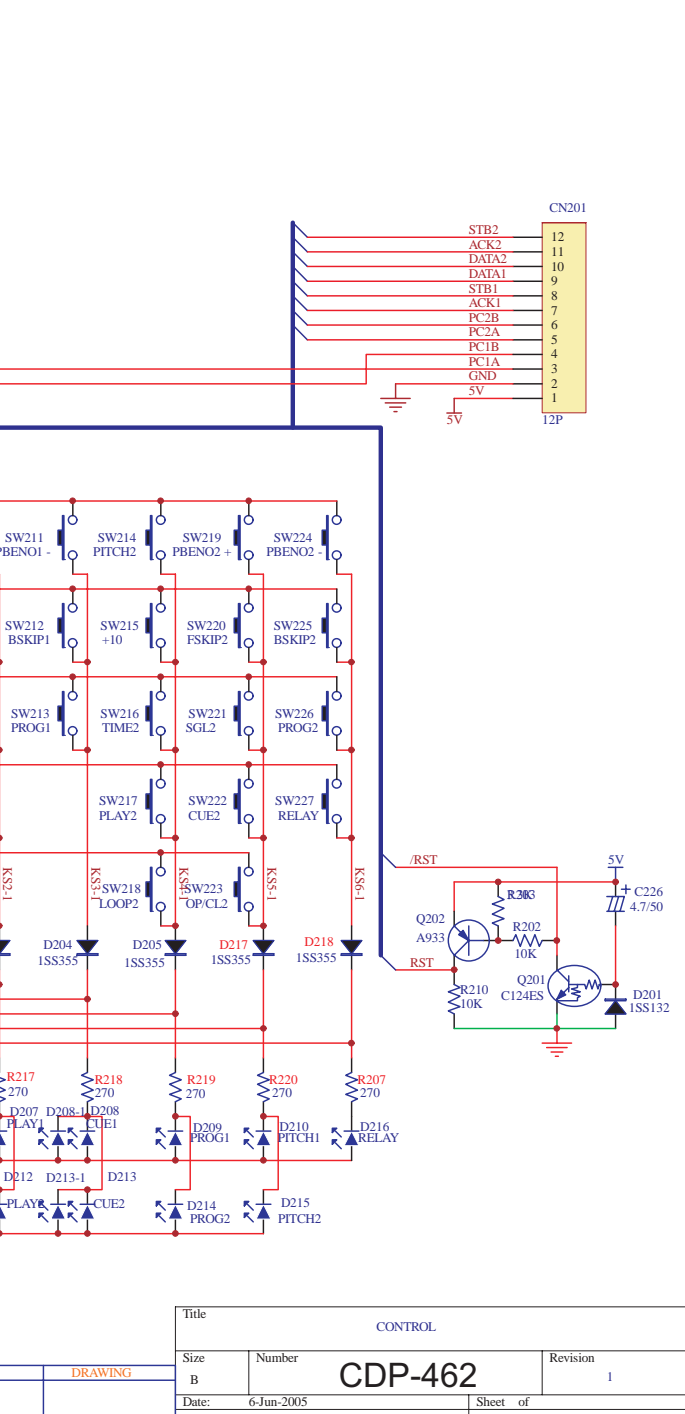
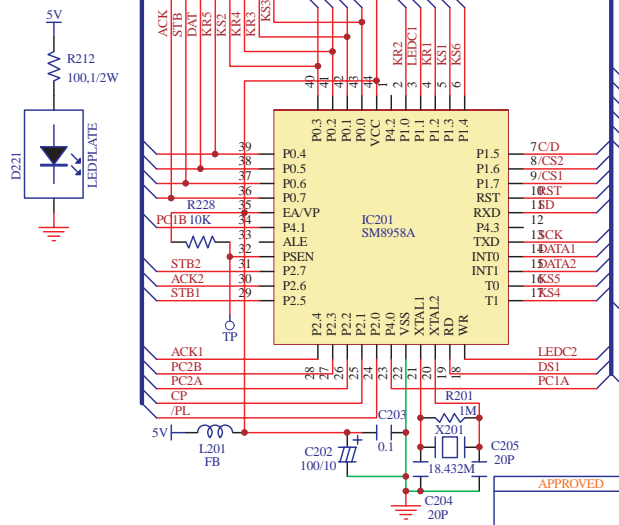
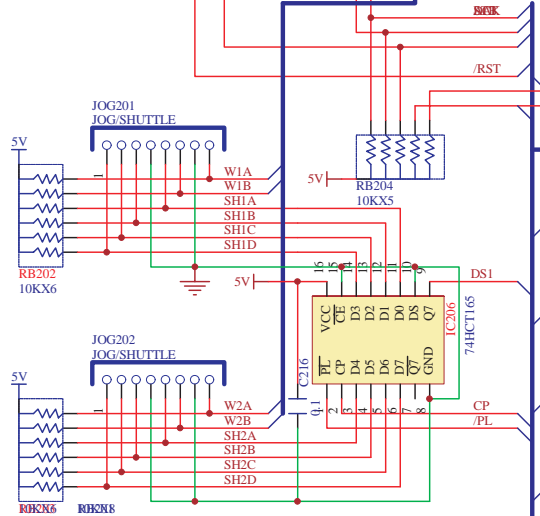
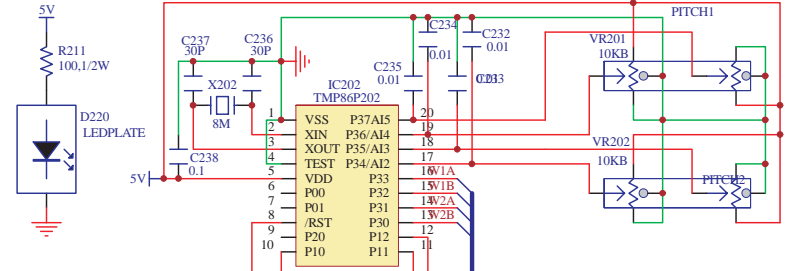
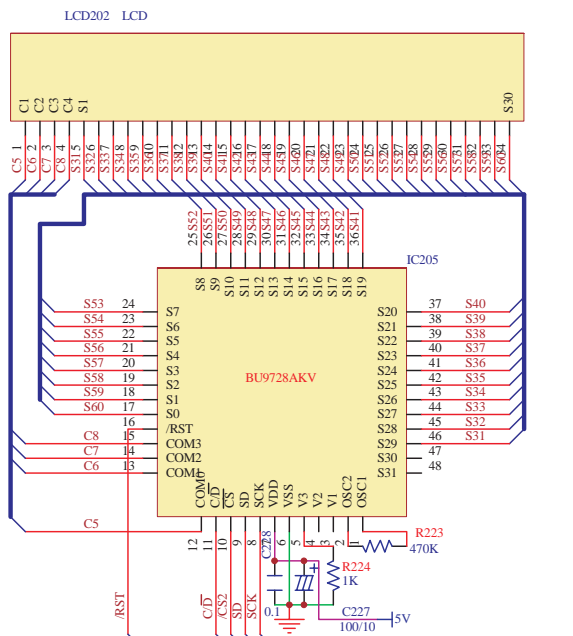
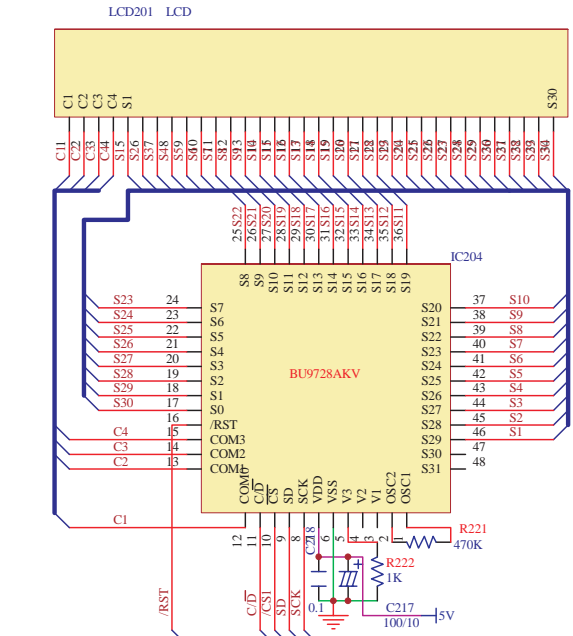
2

3

4

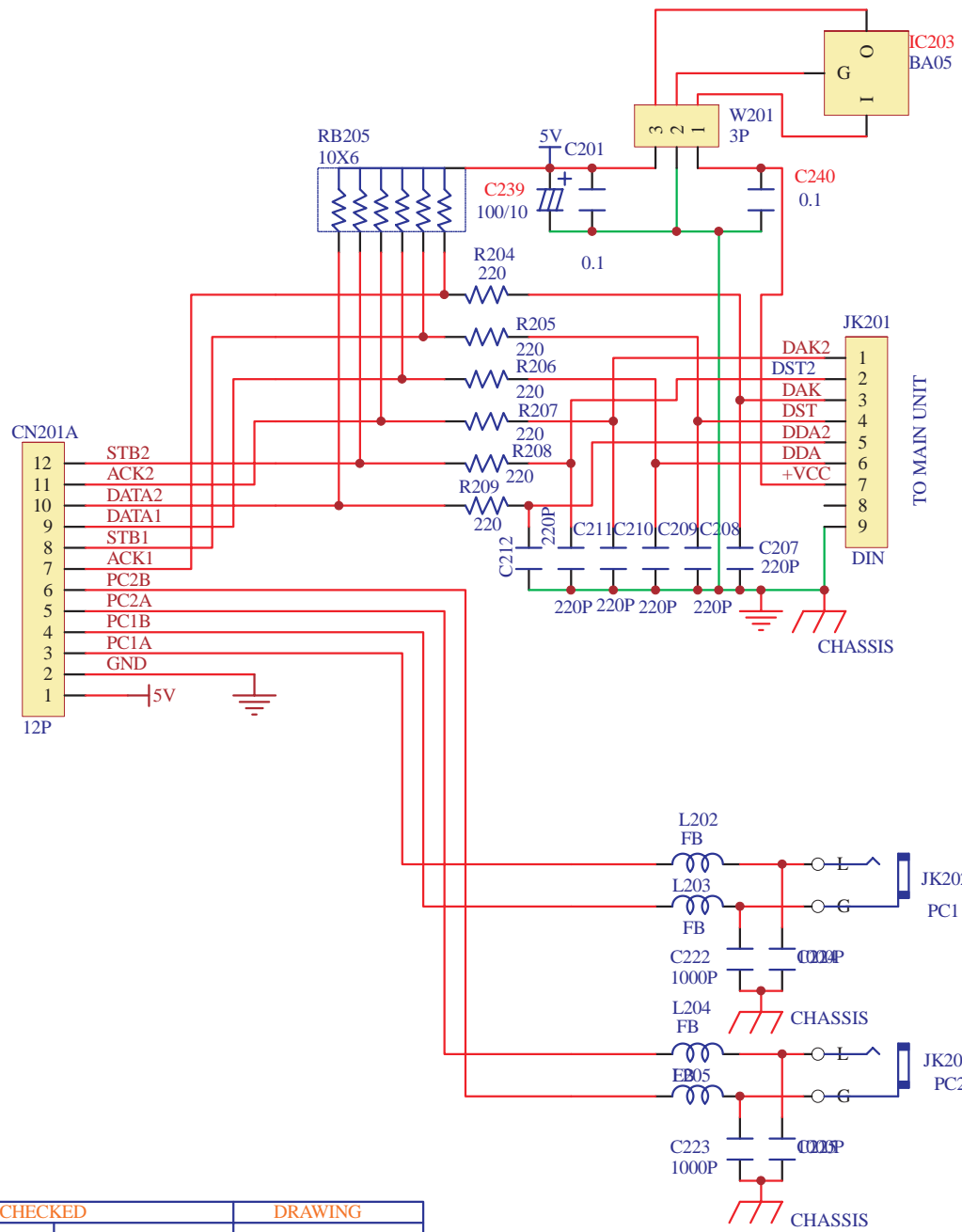


Title		
Size A4	Number CDP-462	Revision
Date: 19-Jul-2001	Sheet of	



Title		CONTROL	
Size	Number	Revision	
B		CDP-462	
Date:	6-Jun-2005	Sheet of	1

APPROVED CHECKED DRAWING



Title			OUTPUT
Size	Number	Revision	
B	CDP-462		
Date:	6-Jun-2005	Sheet of	

APPROVED	CHECKED	DRAWING