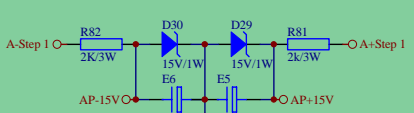
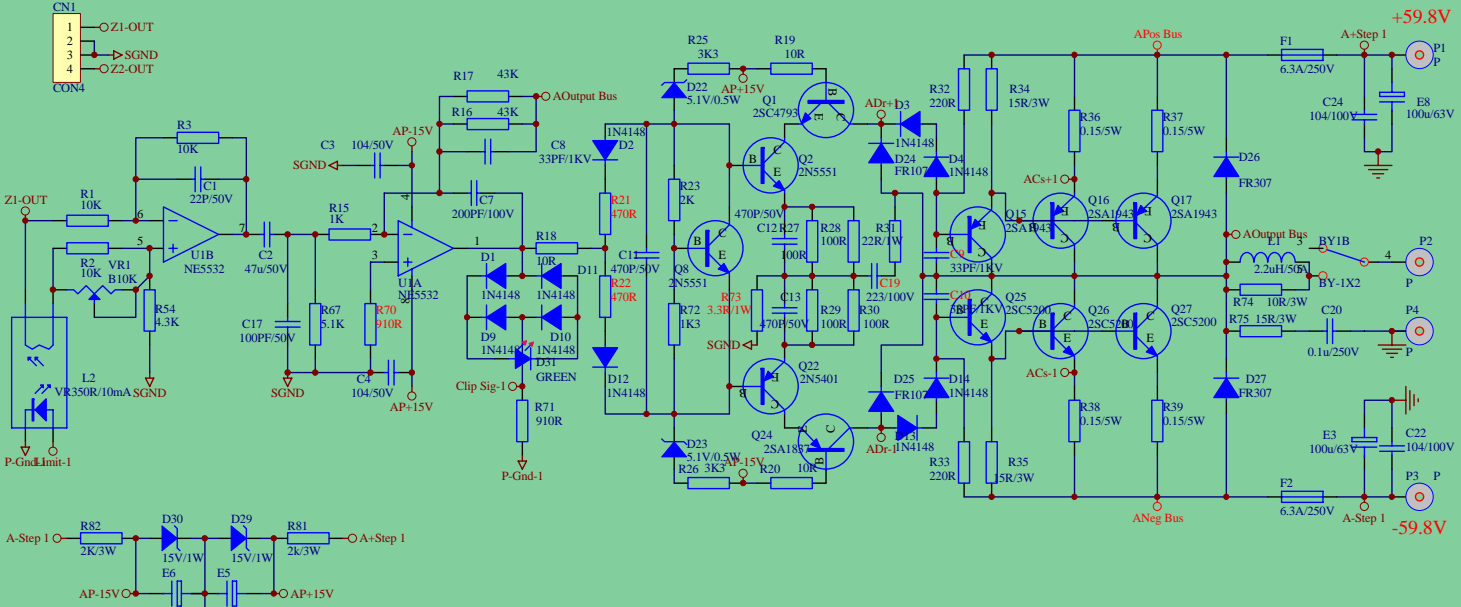
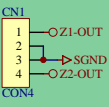
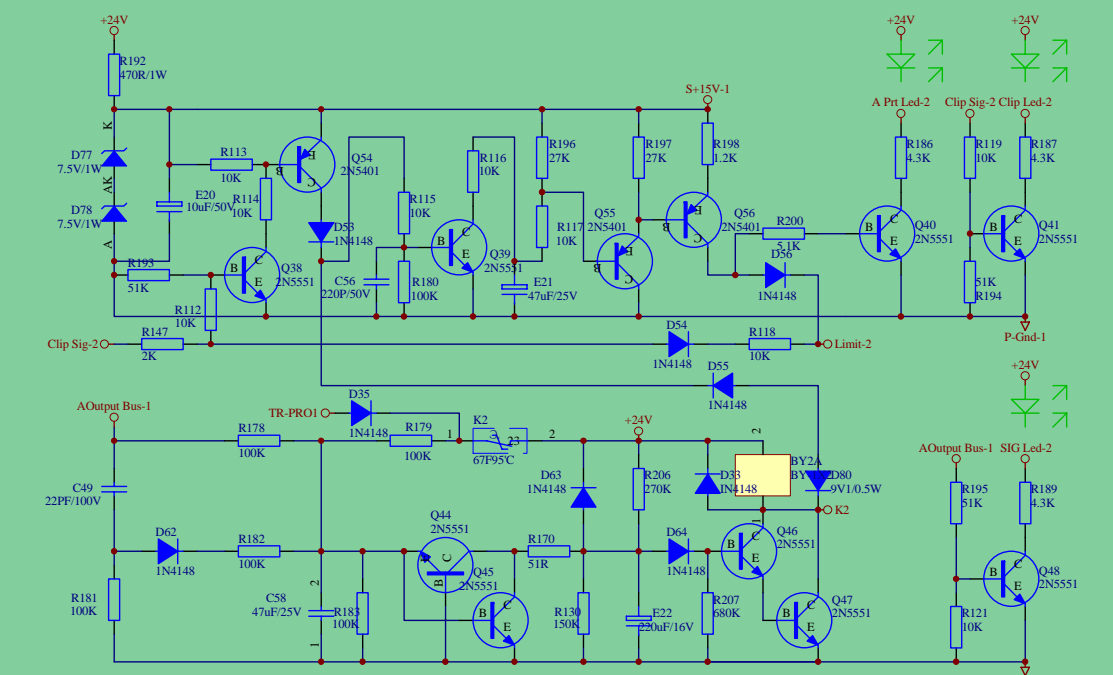
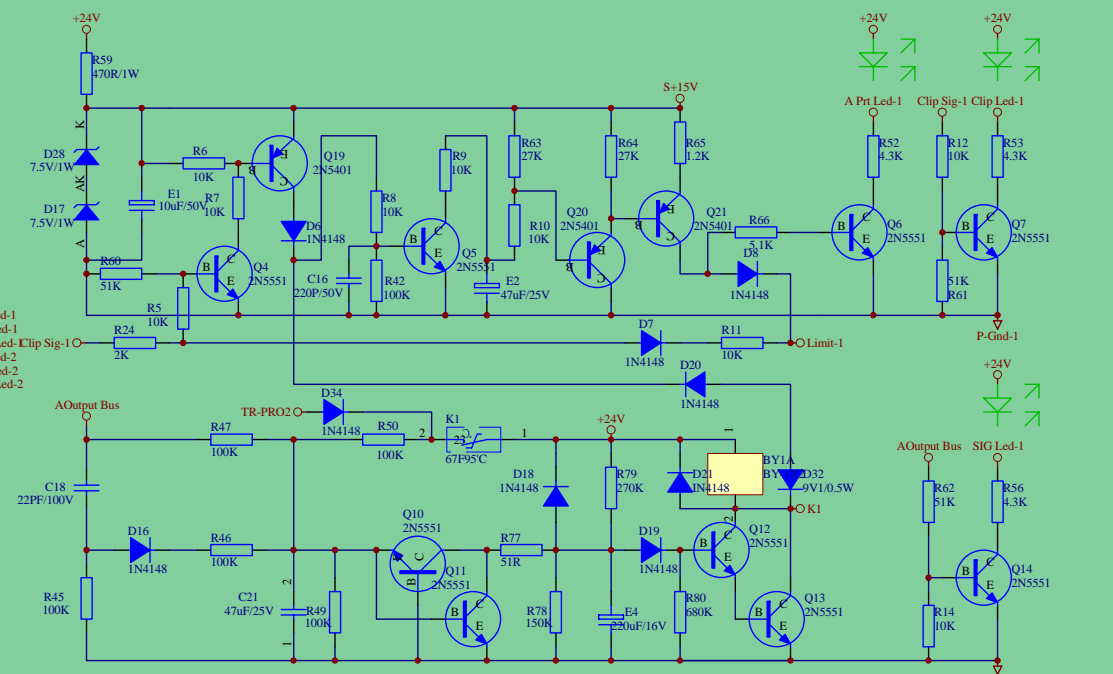
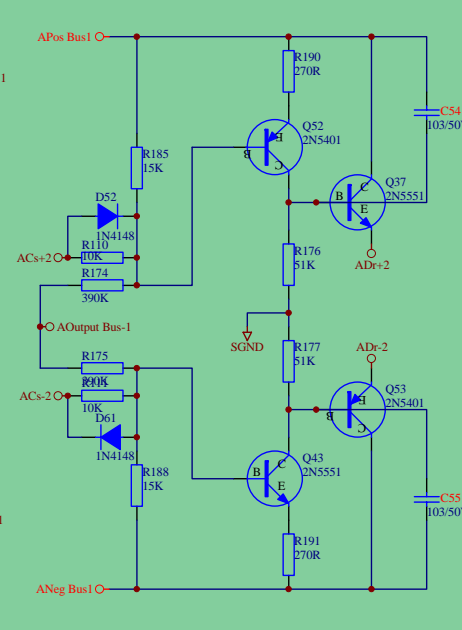
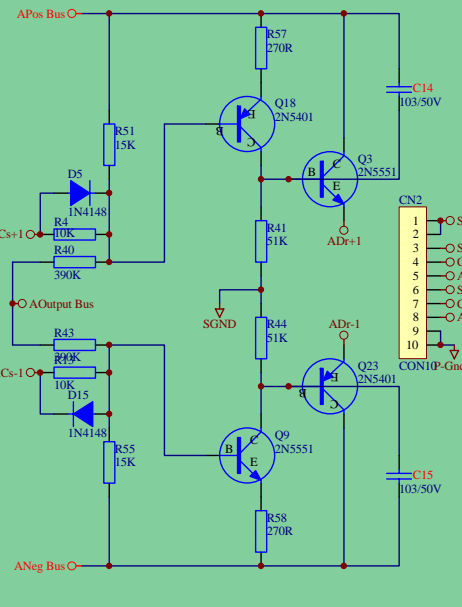
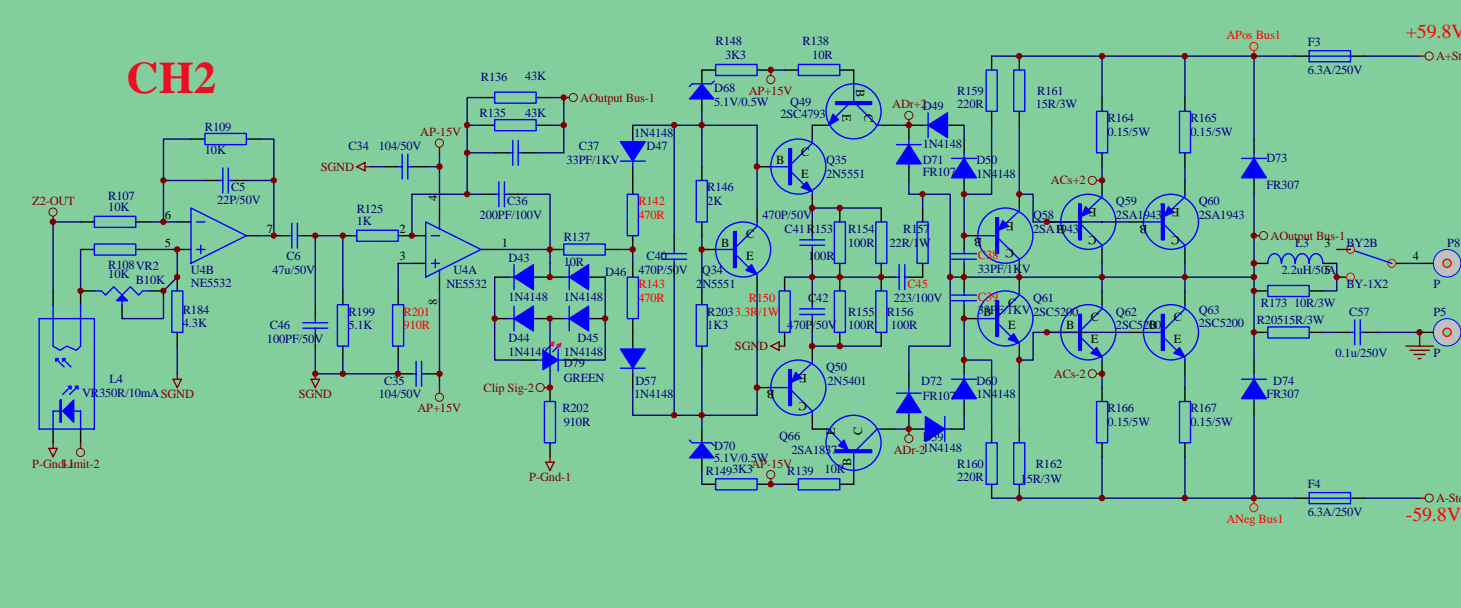
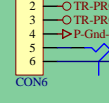


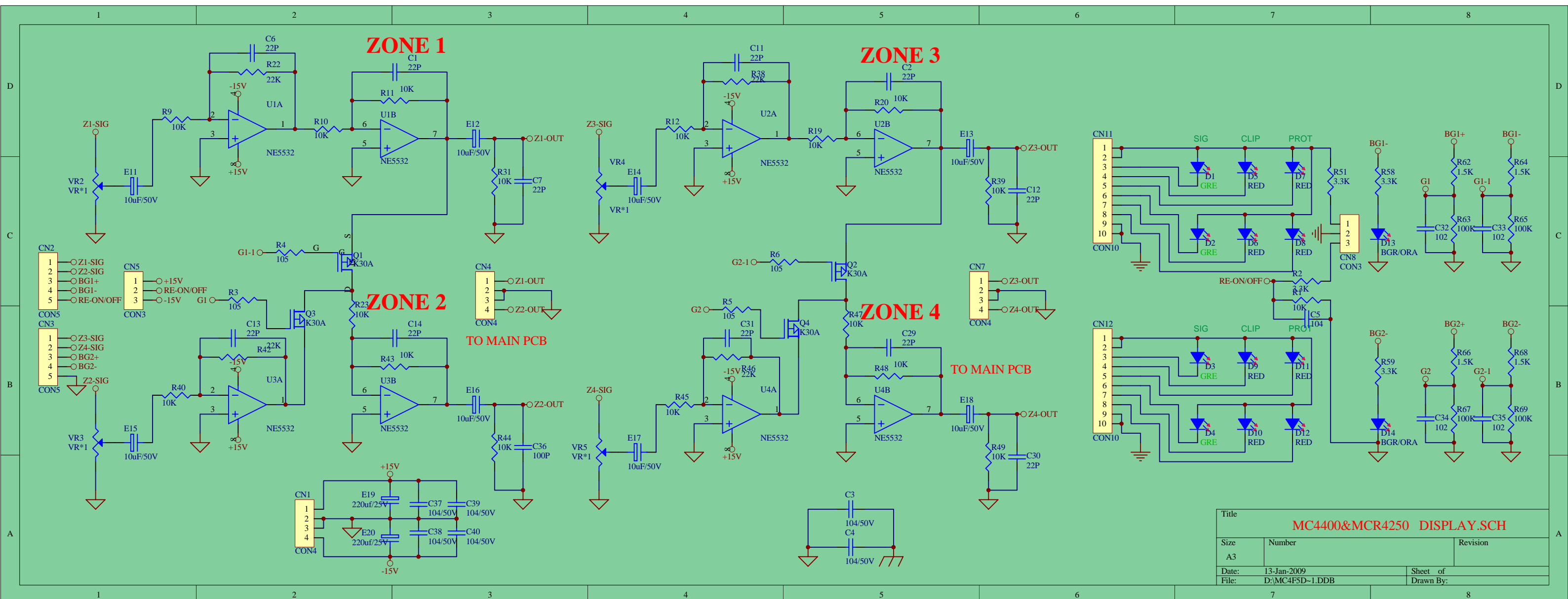
# CH1



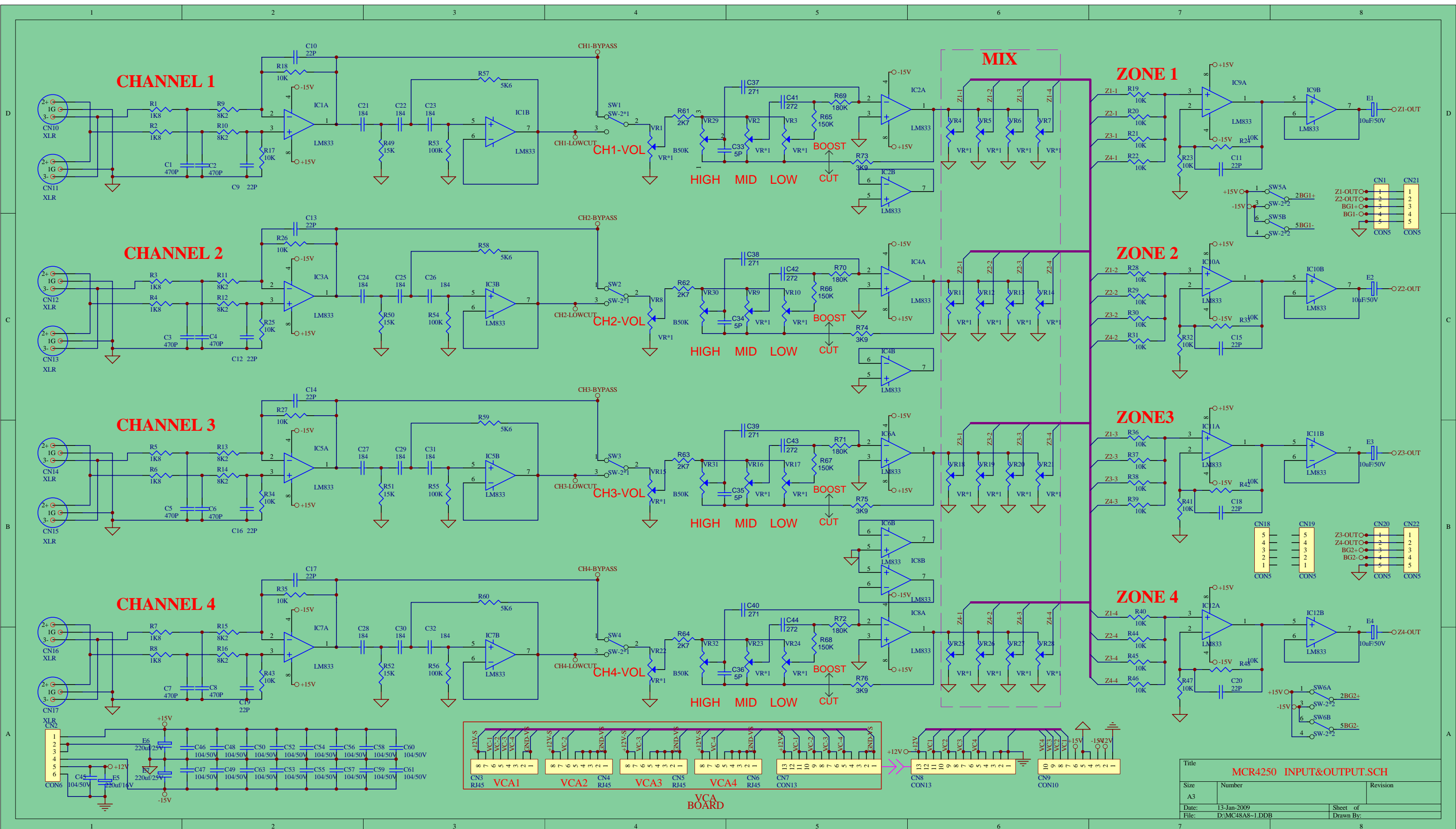
# CH2



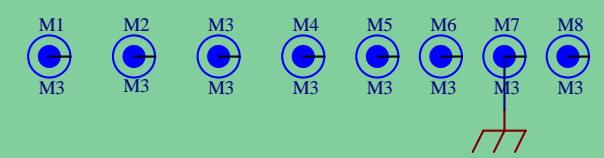
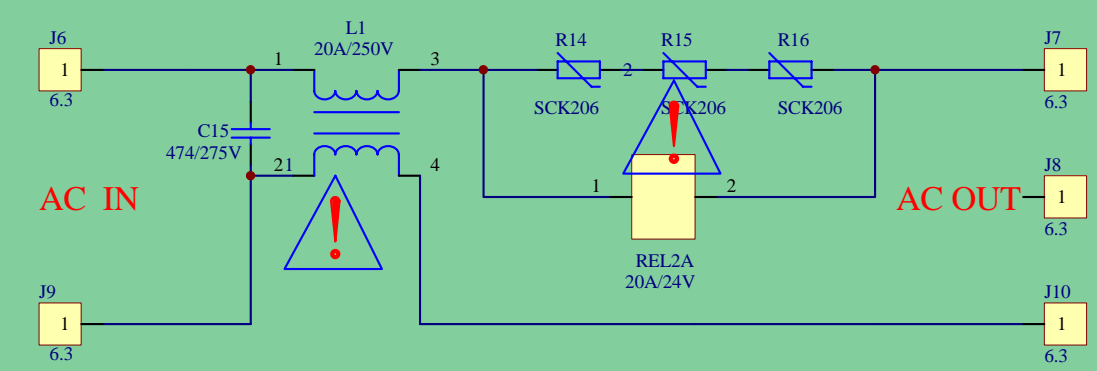
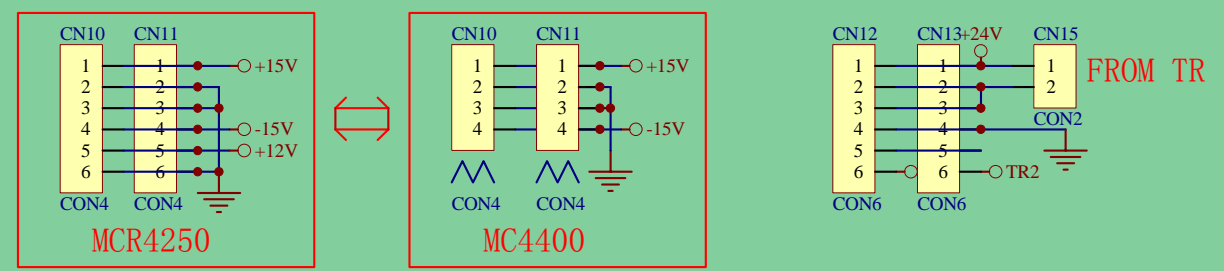
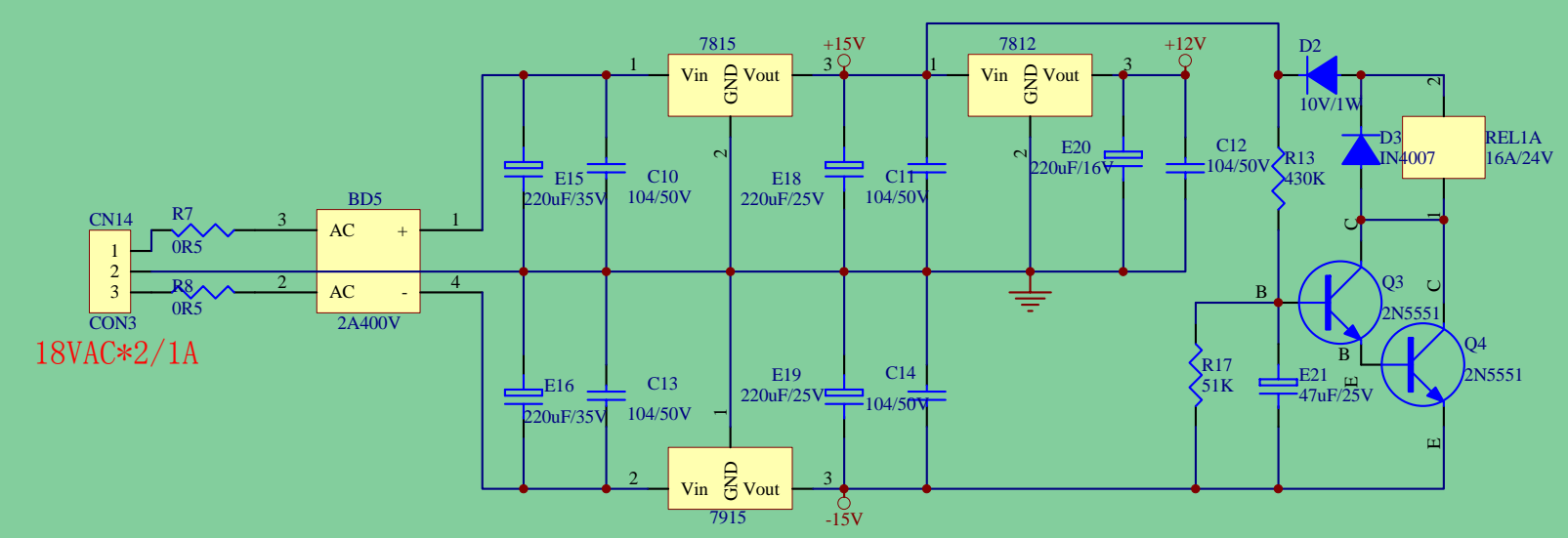
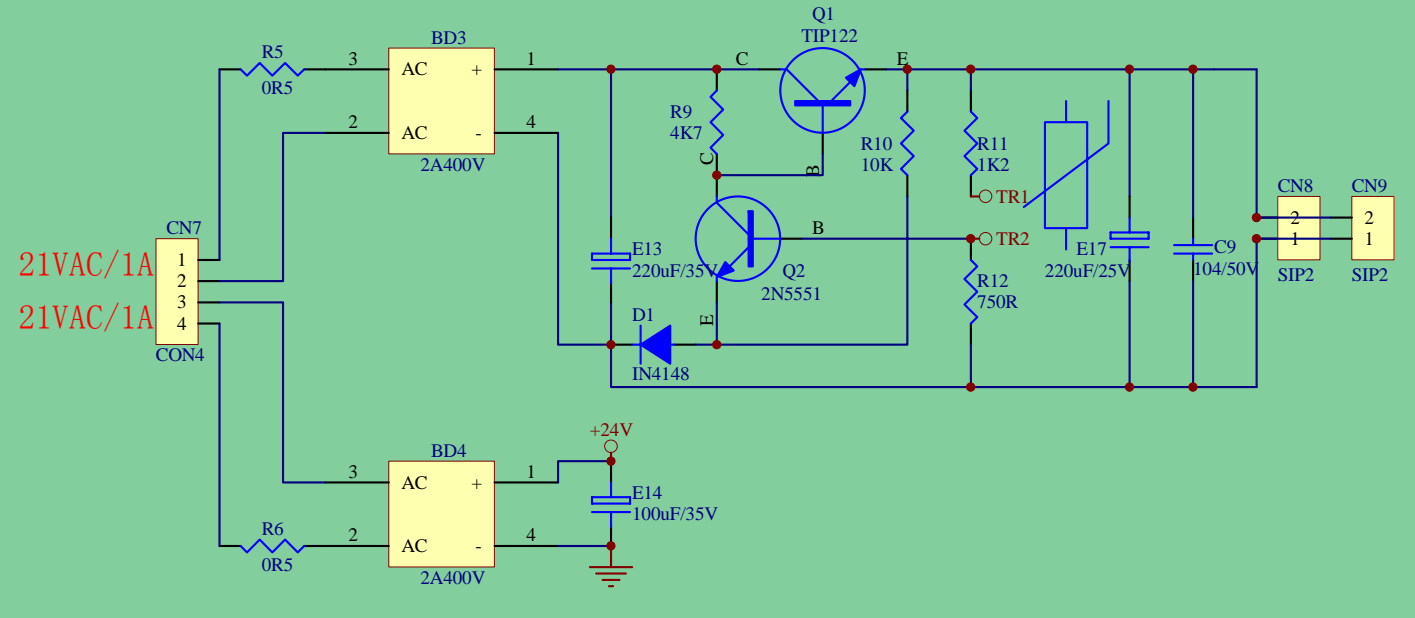
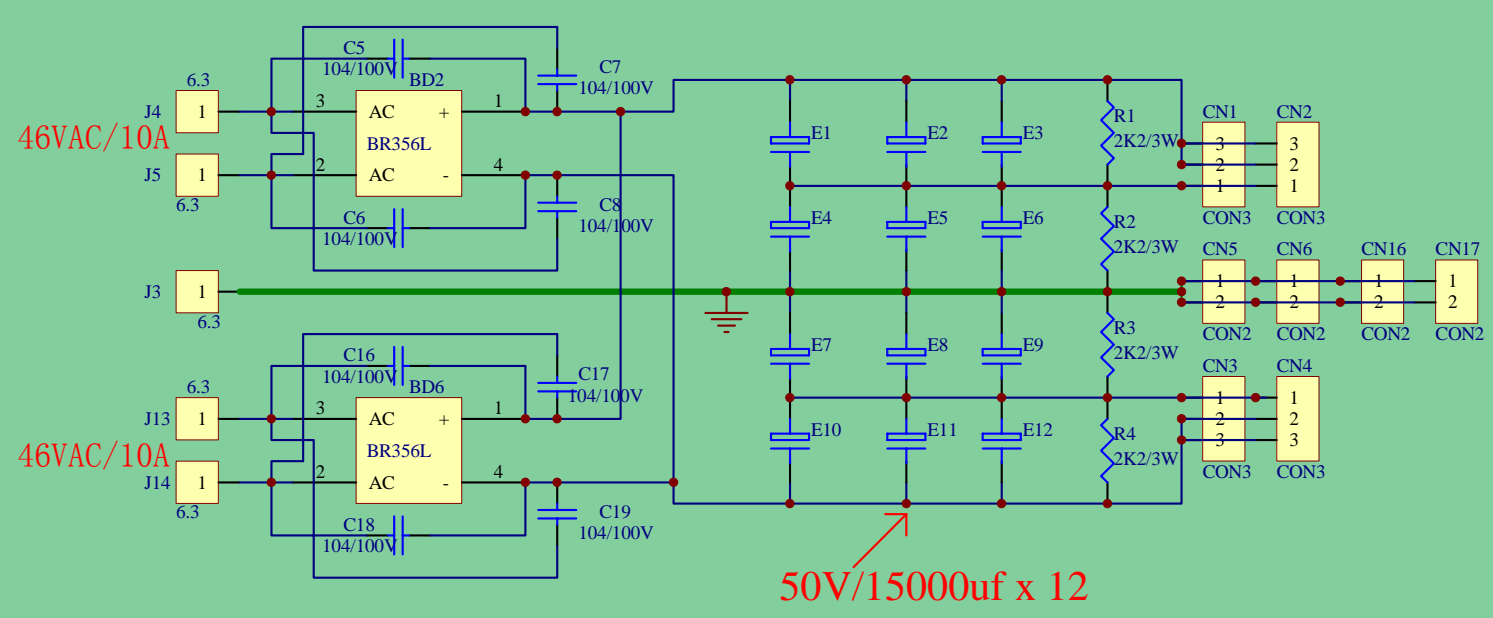
Title			MCR2450-OUTPUT STAGE-SCH		
Size	Number			Revision	
A4					
Date:	13-Jan-2009	Sheet of			
File:	D:\MCD881-1.DDB	Drawn By:			



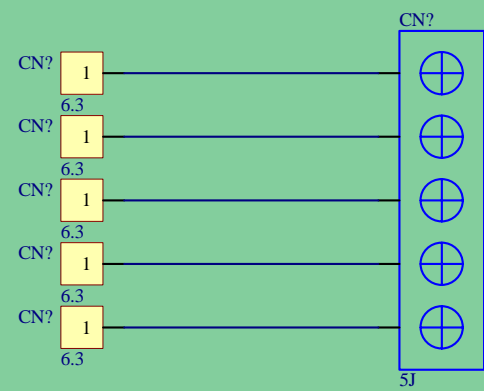
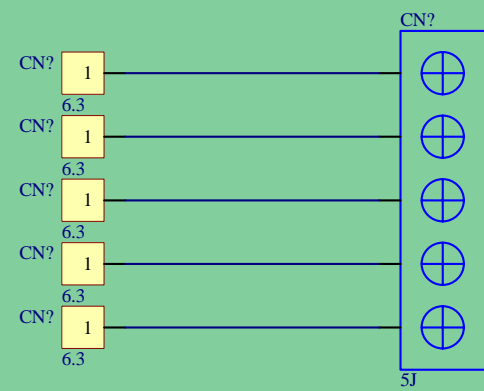
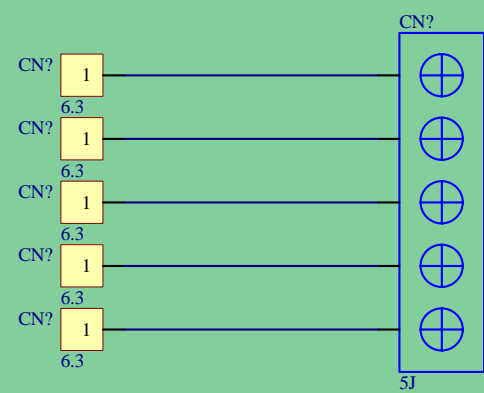
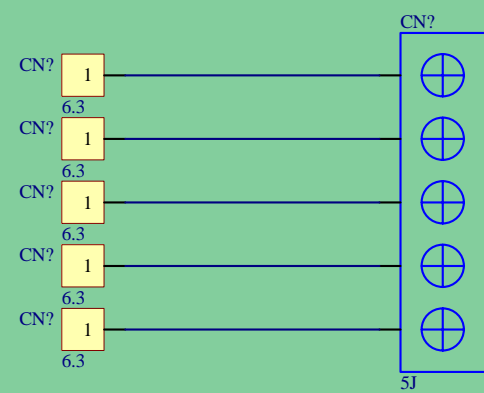
Title		
<b>MC4400&amp;MCR4250 DISPLAY.SCH</b>		
Size	Number	Revision
A3		
Date:	13-Jan-2009	Sheet of
File:	D:\MC4F5D-1.DDB	Drawn By:



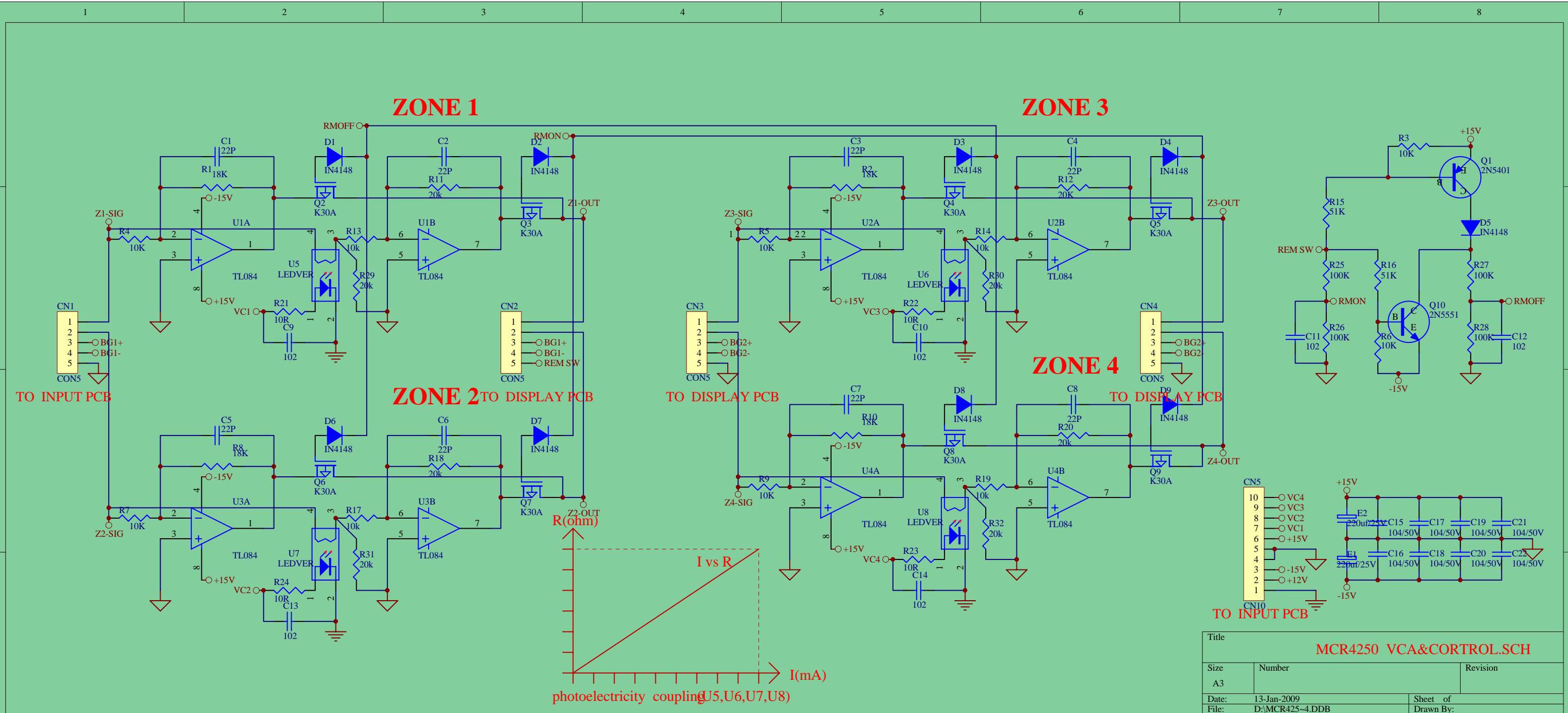
Title			MCR4250 INPUT&OUTPUT.SCH		
Size	Number		Revision		
A3					
Date:	13-Jan-2009		Sheet of		
File:	D:\MC48A8-1.DDB		Drawn By:		



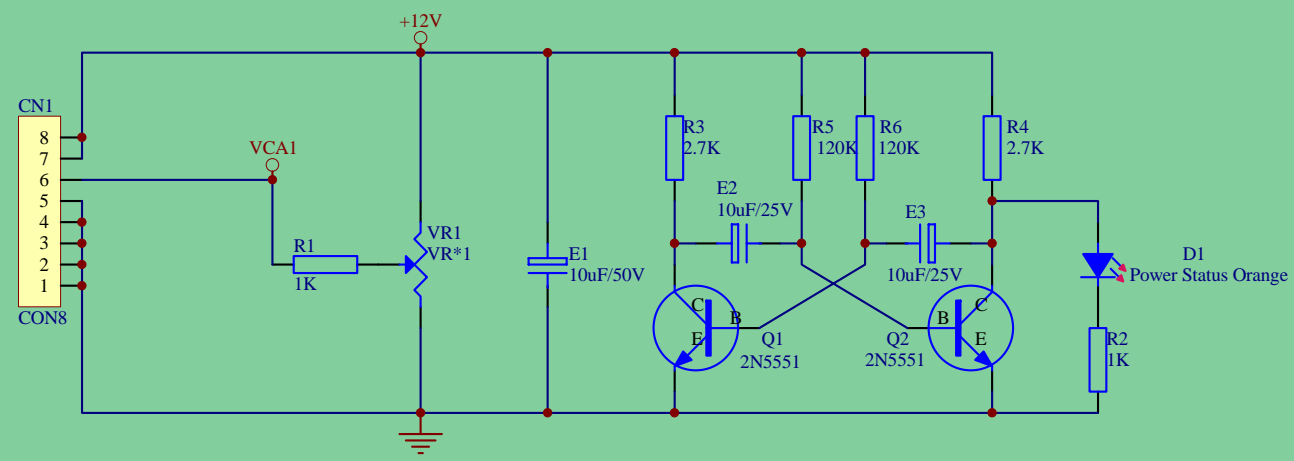
Title		
MCR4250 POWER SUPPLY		
Size	Number	Revision
B		
Date:	13-Jan-2009	Sheet of
File:	D:\MCR425-2.DDB	Drawn By:



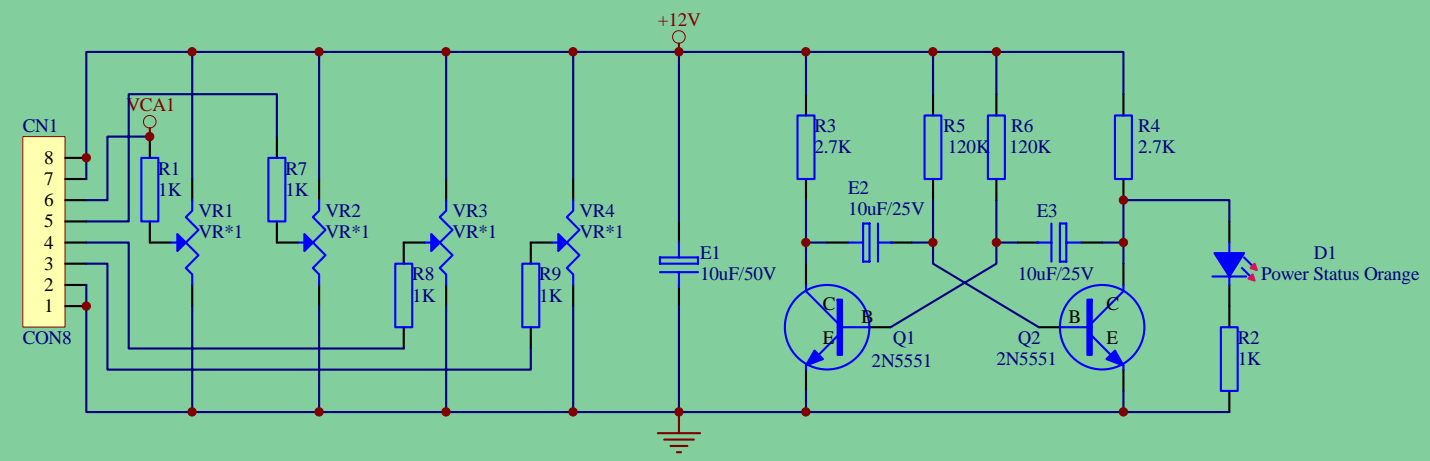
Title			<b>MCR4250-TR SCH</b>		
Size	Number				Revision
B					
Date:	13-Jan-2009		Sheet of		
File:	D:\MCR425~1.DDB		Drawn By:		



Title			MCR4250 VCA&CONTROL.SCH		
Size	Number			Revision	
A3					
Date:	13-Jan-2009	Sheet of			
File:	D:\MCR425-4.DDB	Drawn By:			



Title			<b>VCA CTRL-1P SCH</b>		
Size	Number	Revision			
B					
Date:	13-Jan-2009	Sheet	of		
File:	D:\MCD09F~1.DDB	Drawn By:			



Title		
<b>VCA CORTROL -4P SCH</b>		
Size	Number	Revision
B		
Date:	13-Jan-2009	Sheet of
File:	D:\MCR425-3.DDB	Drawn By: