



**MCP-6150**

**MCP-8150**

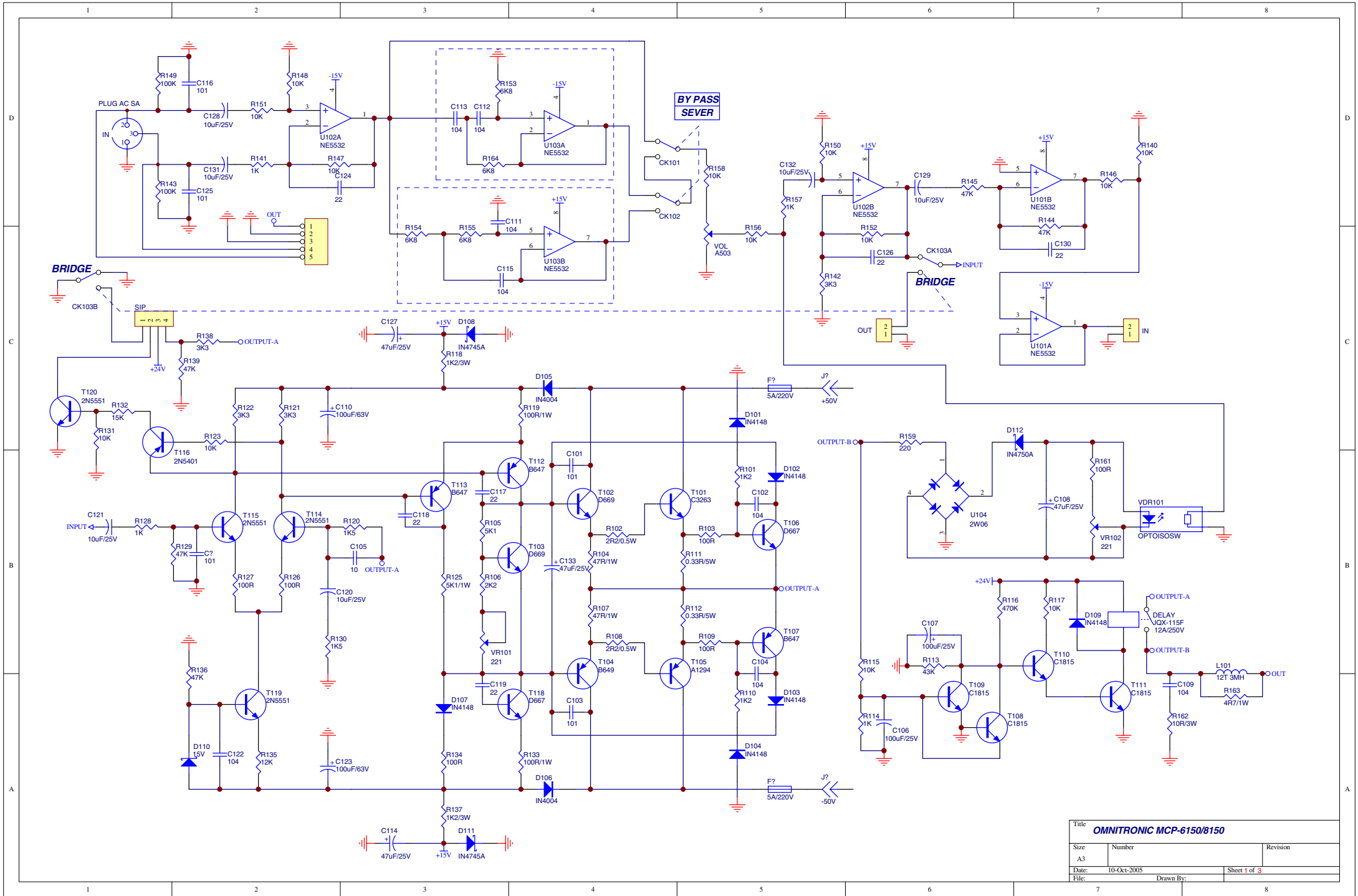
**Service-Dokumente**

**Service-documents**

**Documents de service**

**Documentos de servicio**

**Version 1.0**



Title		
OMNITRONIC MCP-6150/8150		
Size	Number	Revision
A3		
Date:	10-Oct-2005	Sheet 1 of 3
File:	Drawn By:	