



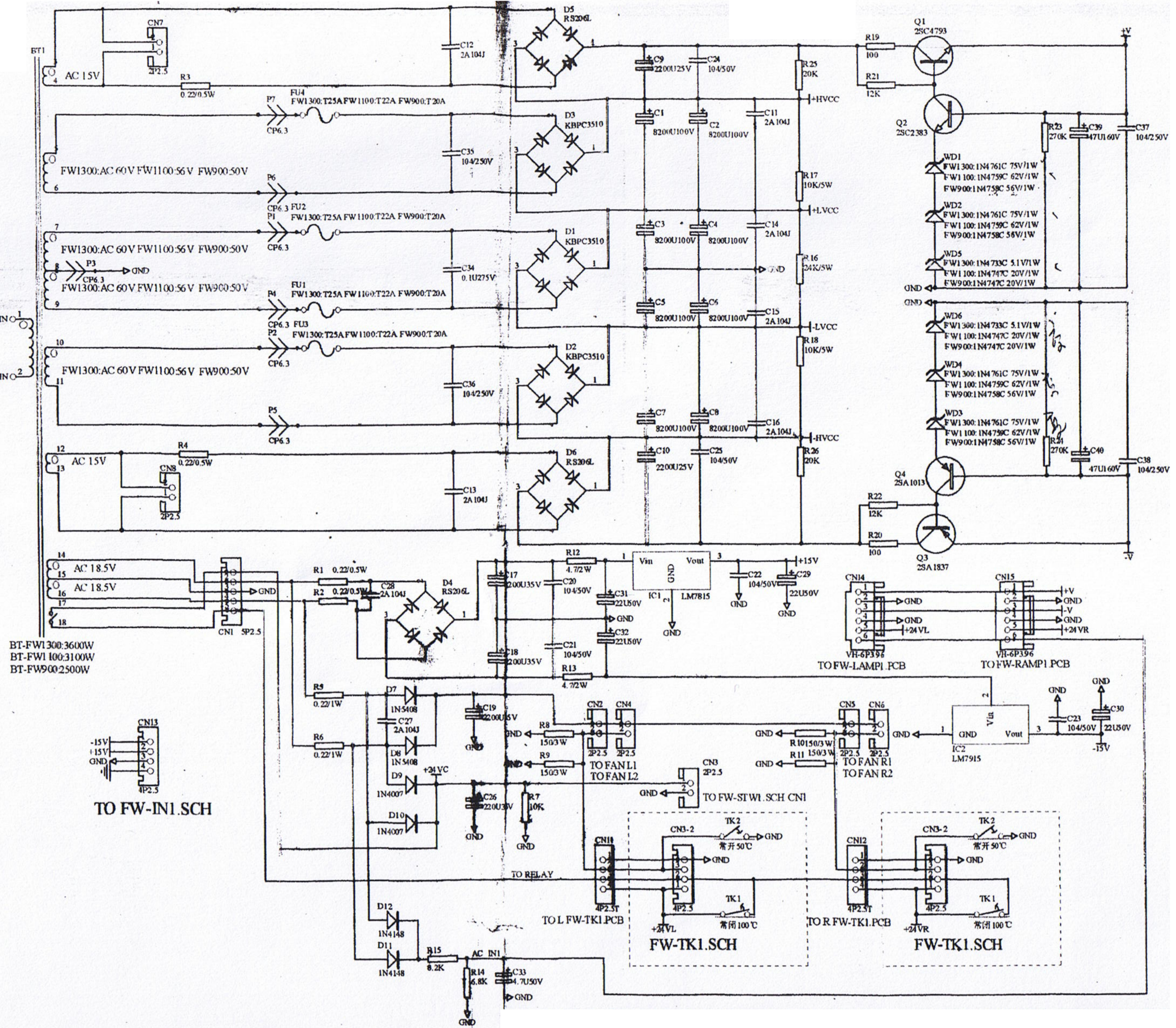
# **A-SERIES**

## **Power-amplifiers**

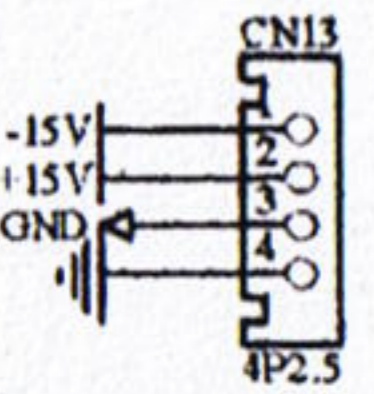
**Service-Dokumente**  
**Service-documents**  
**Documents de service**  
**Documentos de servicio**



TO FW-STW1.PCB P2&P4



BT-FW1300:3600W  
BT-FW100:3100W  
BT-FW900:2500W



TO FW-IN1.SCH

