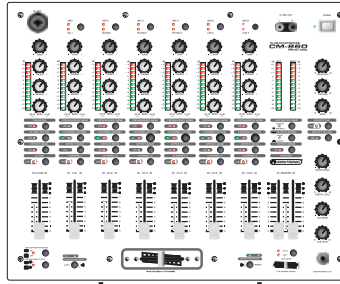


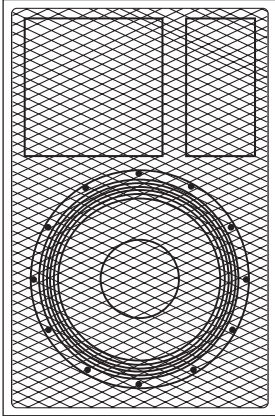
Operation modes

STEREO 8 Ohms

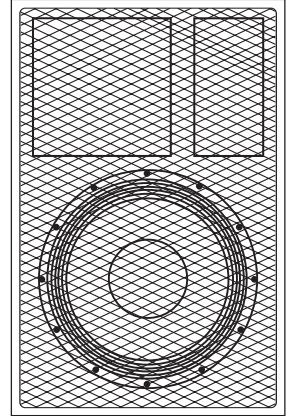


CM-860
Club Mixer

Full-Range Speaker



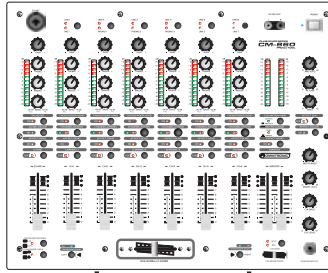
Full-Range Speaker



AMP stereo 8 Ohms

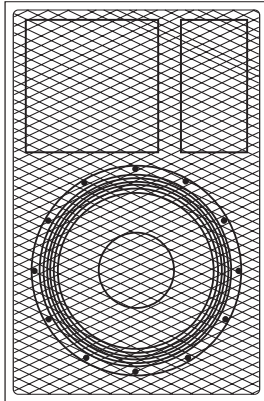
Operation modes

STEREO 4 Ohms

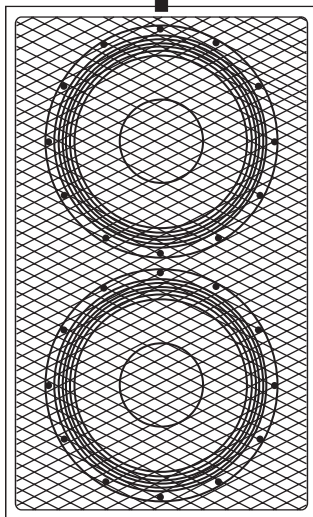
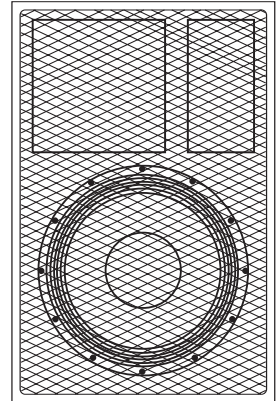


CM-860
Club Mixer

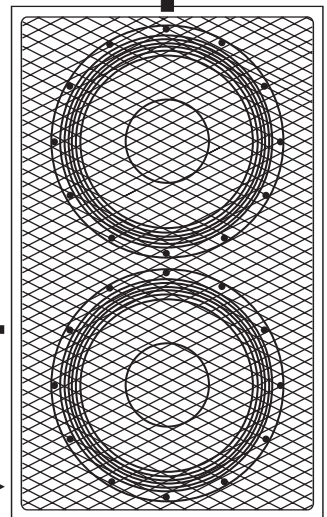
TOP SPEAKER



TOP SPEAKER

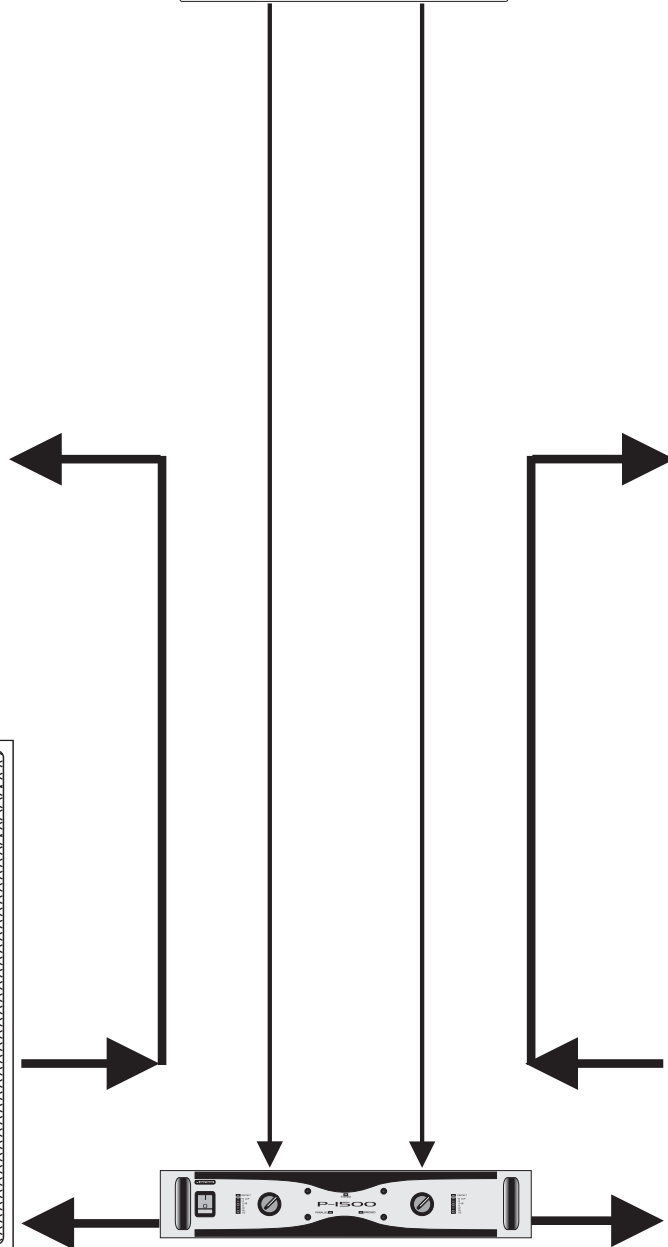


SUBWOOFER



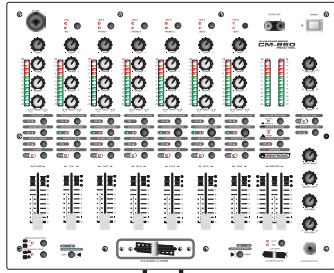
SUBWOOFER

AMP stereo 4 Ohms



Operation modes

2 WAY STEREO
active



CM-860
Club Mixer



PEQ-2150
Graphic Equalizer

Input CH 1 Input CH 2



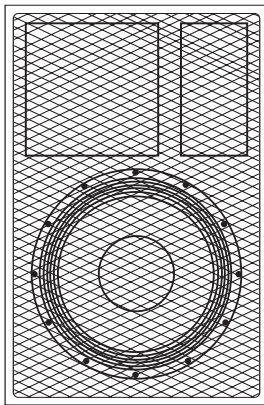
LXO-230
Crossover

Low Out CH 1

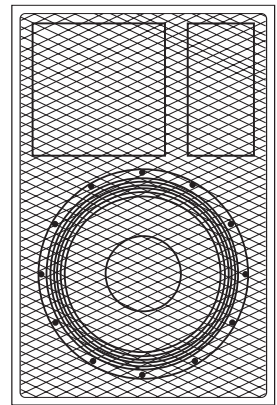
High Out
CH 1 CH 2

Low Out CH 2

TOP SPEAKER



TOP SPEAKER



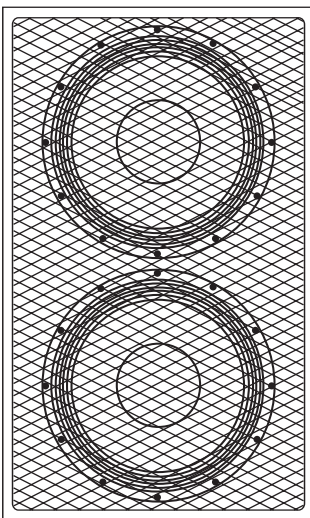
AMP for HIGH



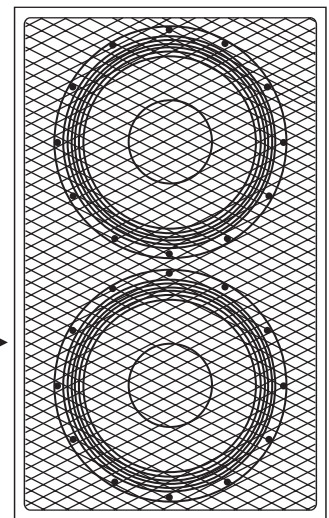
AMP for LOW



SUBWOOFER

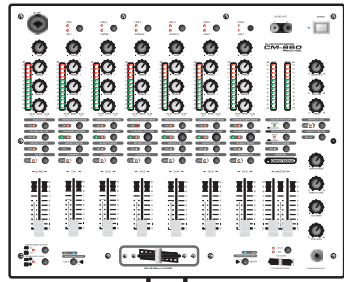


SUBWOOFER



Operation modes

2 WAY STEREO
with Mono Bass
active



CM-860
Club Mixer



PEQ-2150
Graphic Equalizer

Input CH 1 Input CH 2

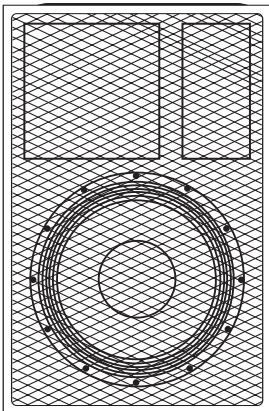


LXO-230
Crossover

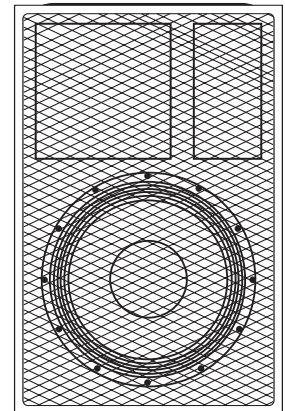
High Out
CH 1 CH 2

Low SUM Out

TOP SPEAKER



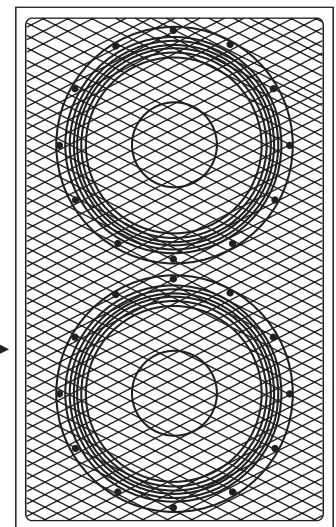
TOP SPEAKER



AMP for HIGH



AMP for LOW



SUBWOOFER

Operation modes

3 Way Active

