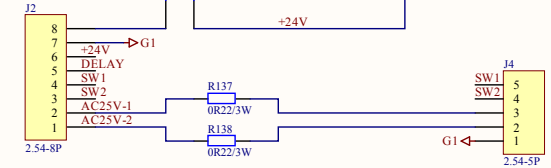
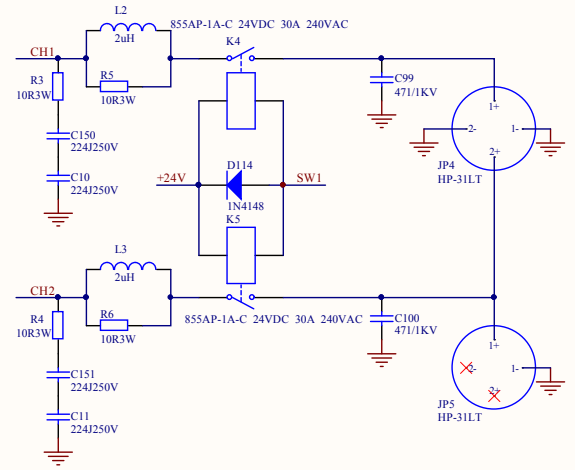
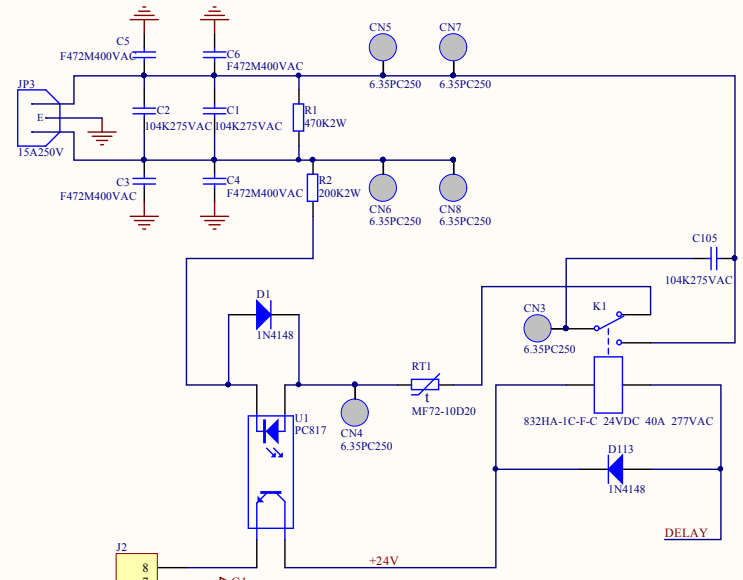
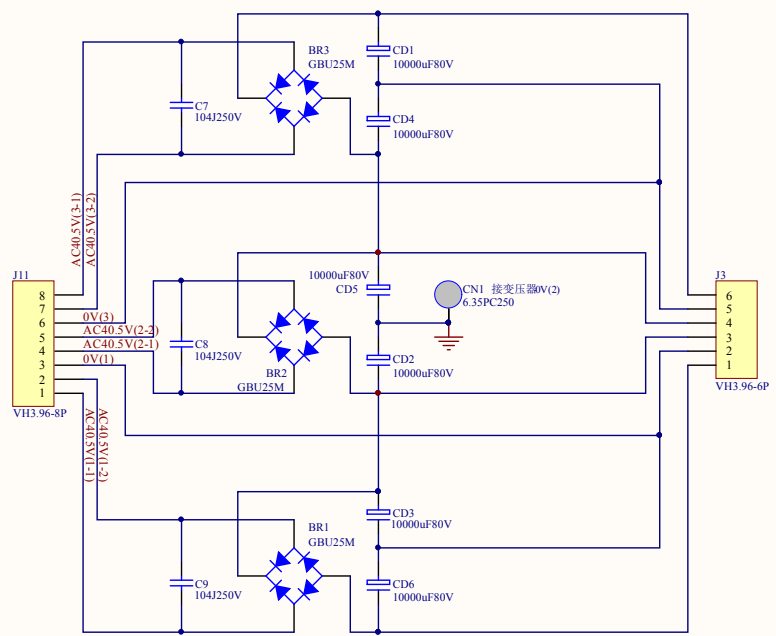




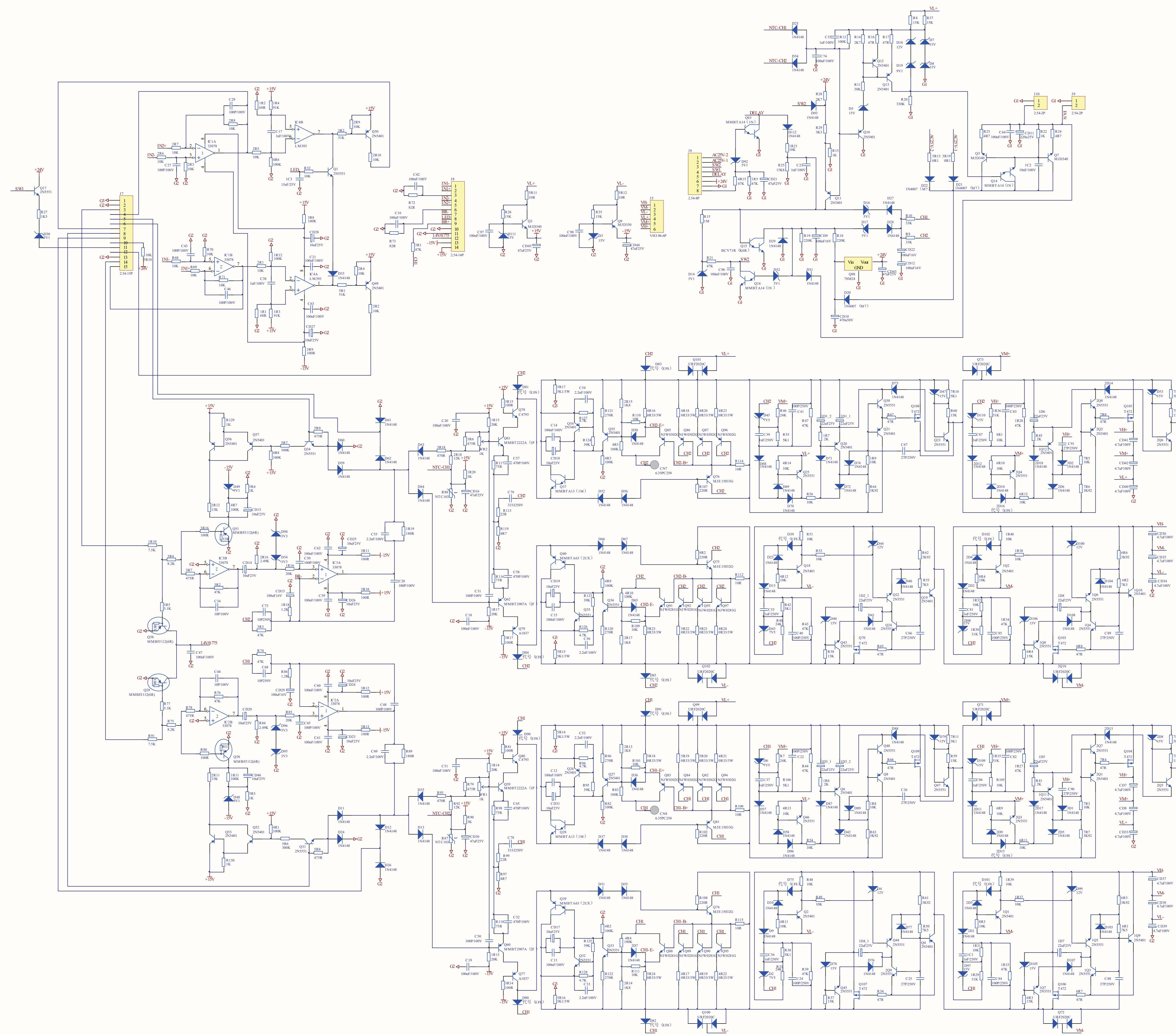
XPA SERIES

1800 | 2700 | 3004

Service-Dokumente
Service documents
Documents de service
Documentos de servicio



Title		
Size	Number	Revision
A3		
Date:		
File:		



№	№	№
1	2	3
4	5	6
7	8	9
10	11	12
13	14	15
16	17	18