

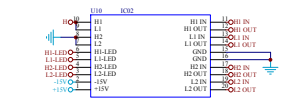
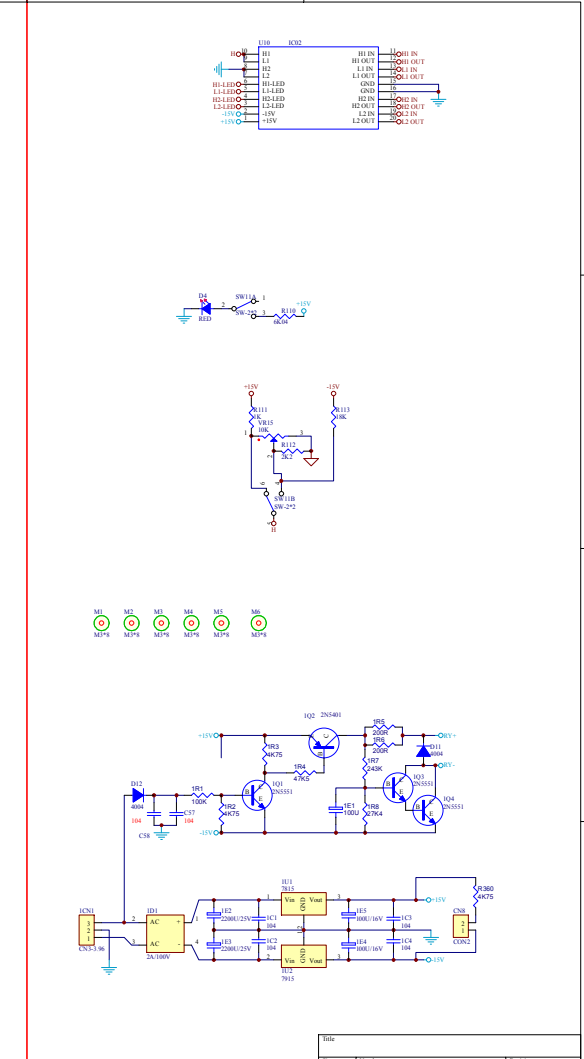
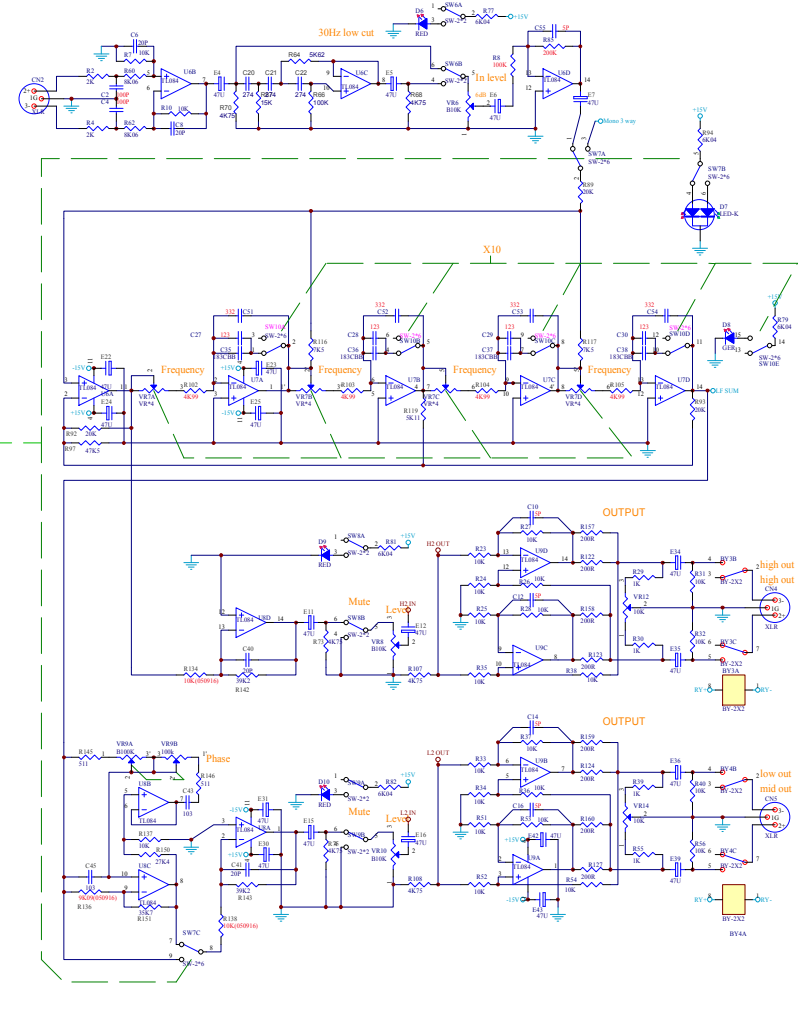
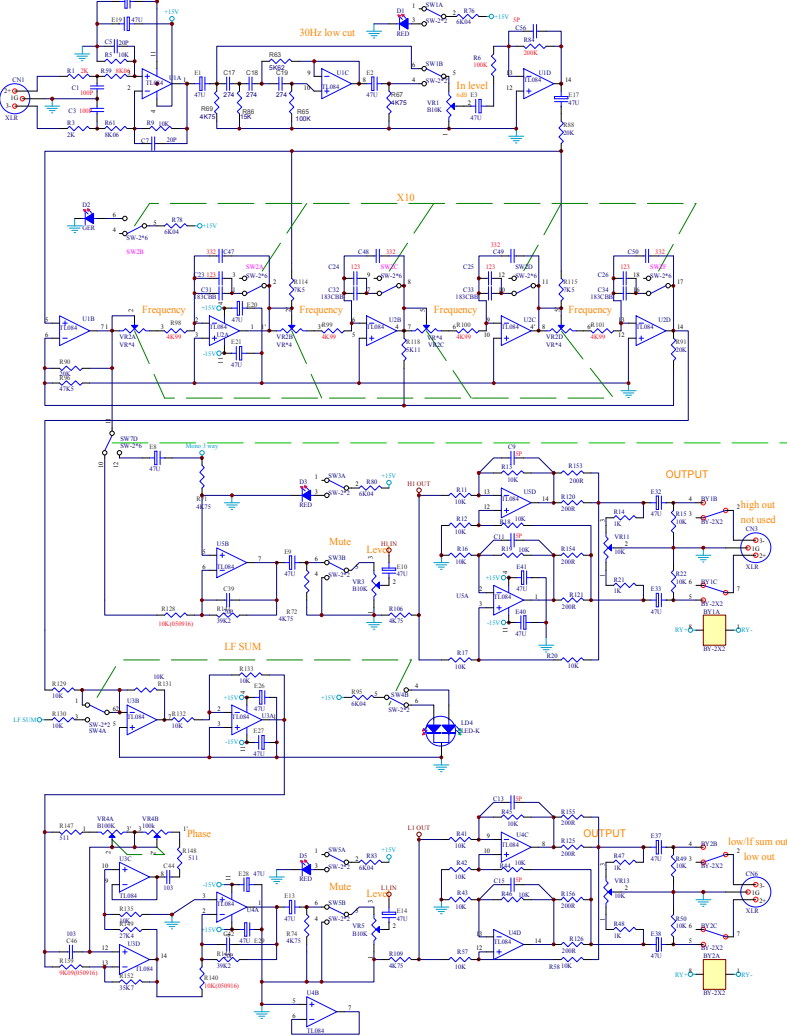
CON10

10	OH1 IN
9	OH1 OUT
8	OL1 IN
7	OL1 OUT
6	
5	
4	OH2 IN
3	OH2 OUT
2	OL2 IN
1	OL2 OUT

CON2

10	OH
9	
8	
7	
6	OH1-LED
5	OL1-LED
4	OH2-LED
3	OL2-LED
2	-15V
1	+15V

CON10



Title			
Size	Number	Sheet	Revision
32mm	22mm	4	
Date	22mm	2007	Sheet 4 of 4
File	Drawn By		