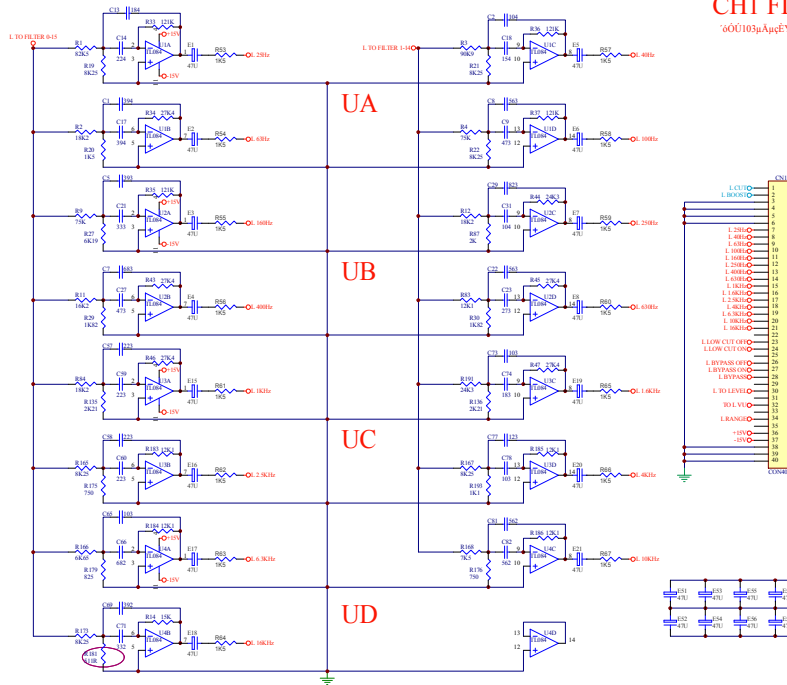
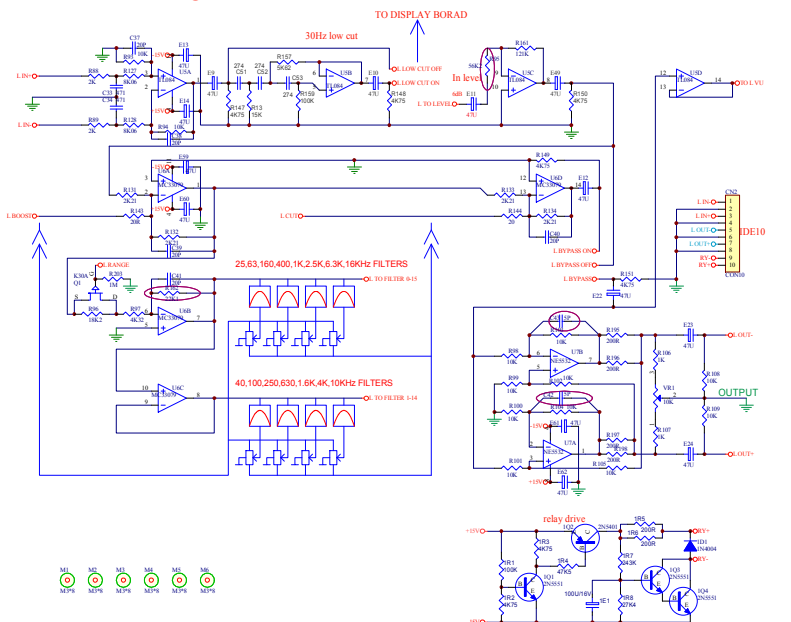


# CH1 FILTERS

90U103µAµcEYFWIMA#i/qµµcEY

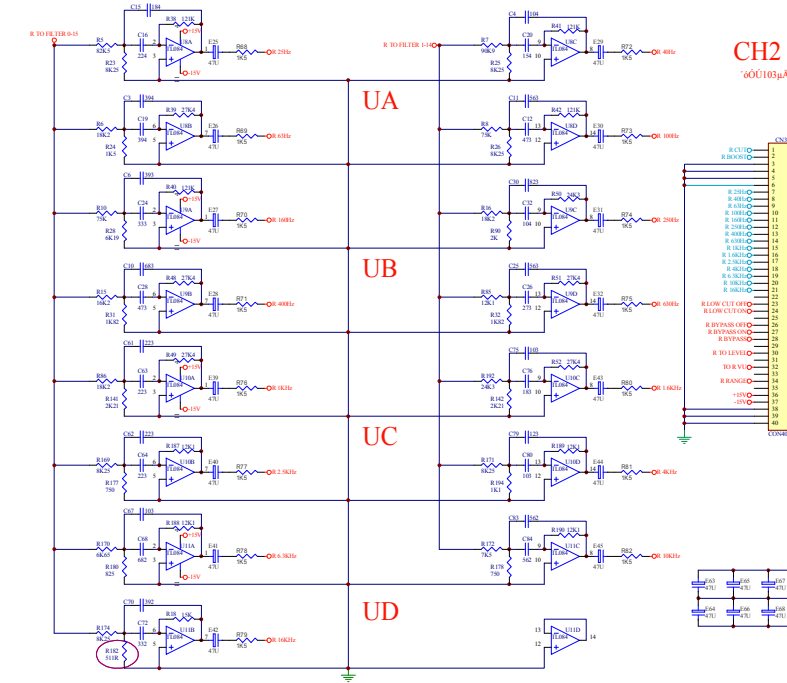


# CH1

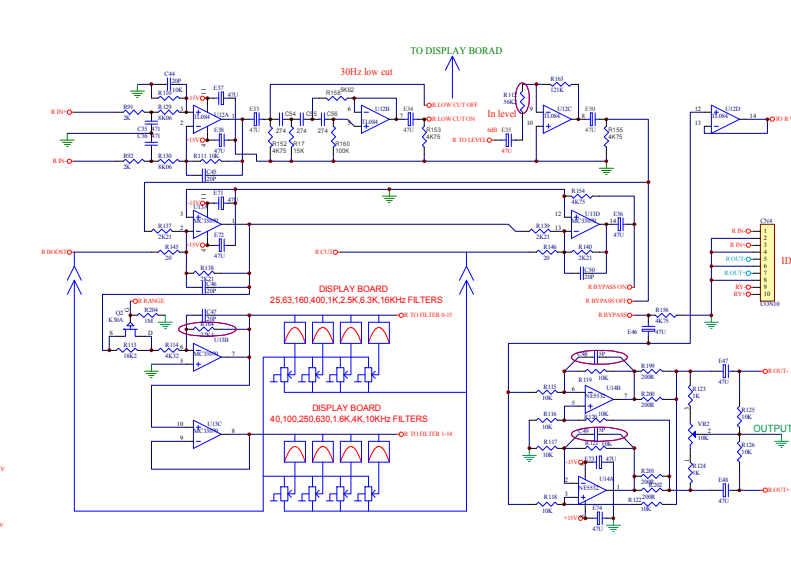


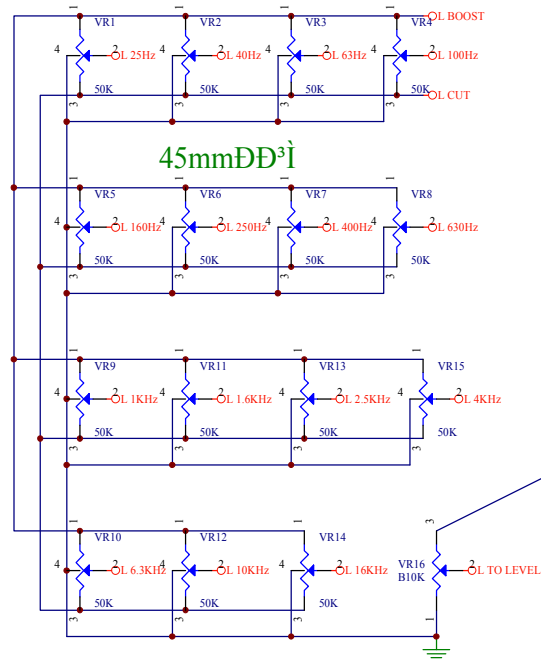
# CH2 FILTERS

90U103µAµcEYFWIMA#i/qµµcEY

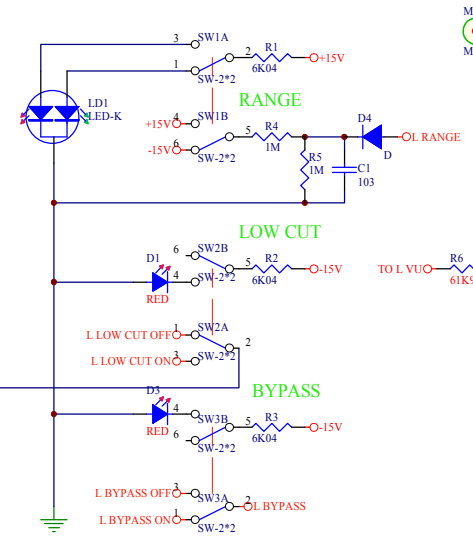


# CH2





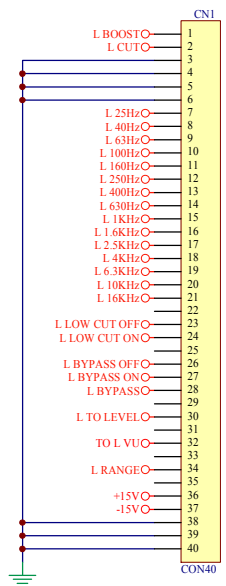
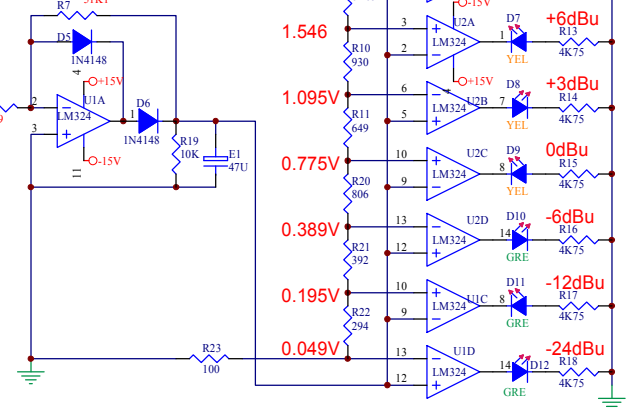
45mmDD3I



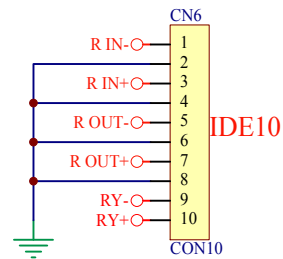
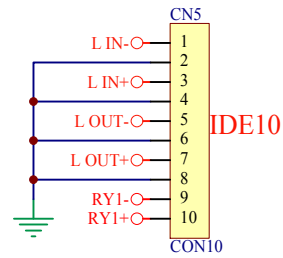
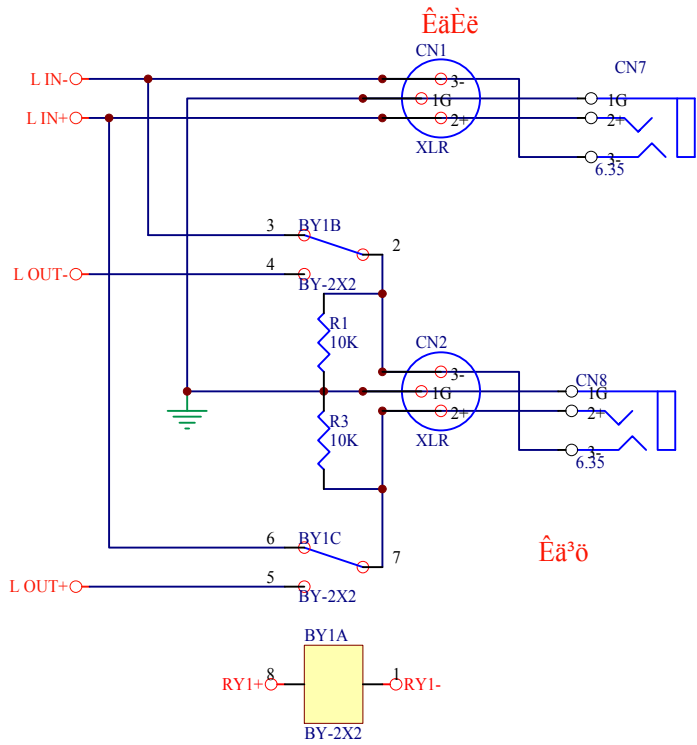
TO L VUO

$\mu\text{C}\dot{\text{A}}=0.49\text{mA}$  CLIPÉˆıáÇ°3dBİÖÊ¼£©

$\mu\text{C}\dot{\text{A}}=0.49\text{mA}$  CLIPÉˆıáÇ°3dBİÖÊ¼£©



# CH1



# CH2

