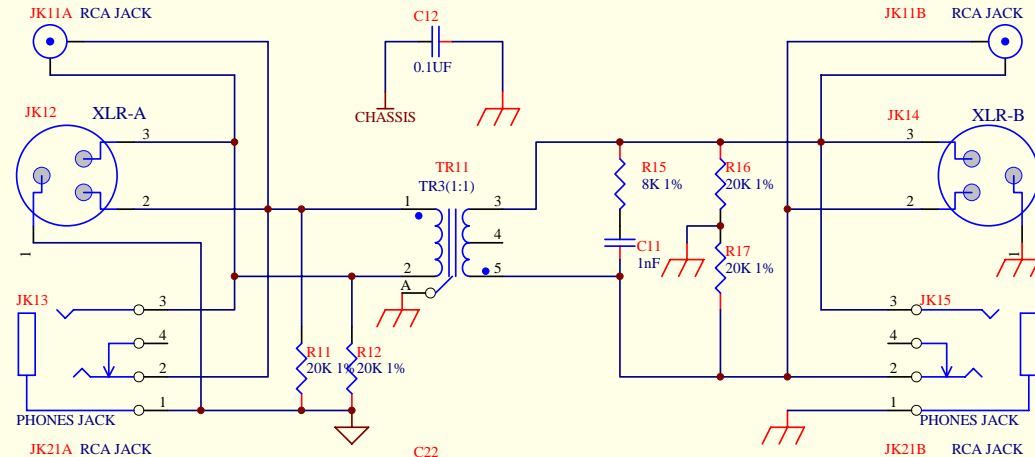
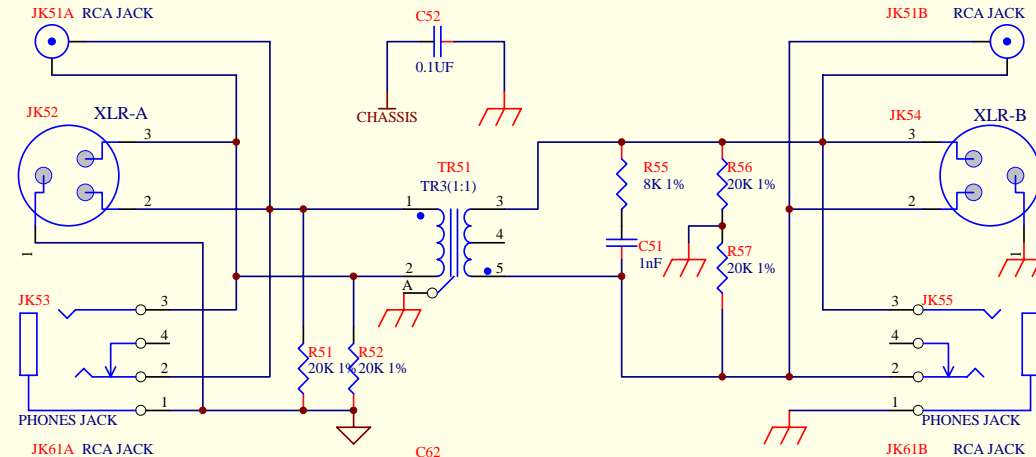


CHANNEL 1-INPUT



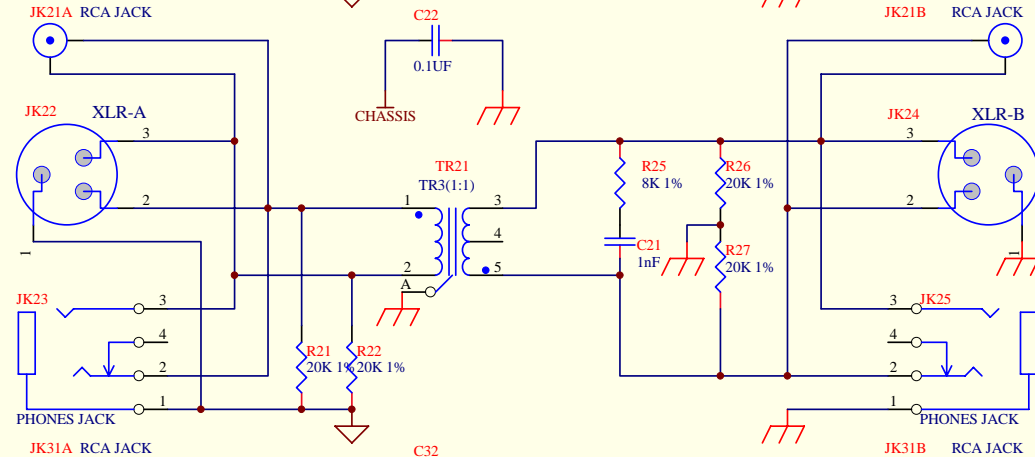
CHANNEL 1-OUTPUT

CHANNEL 5-INPUT



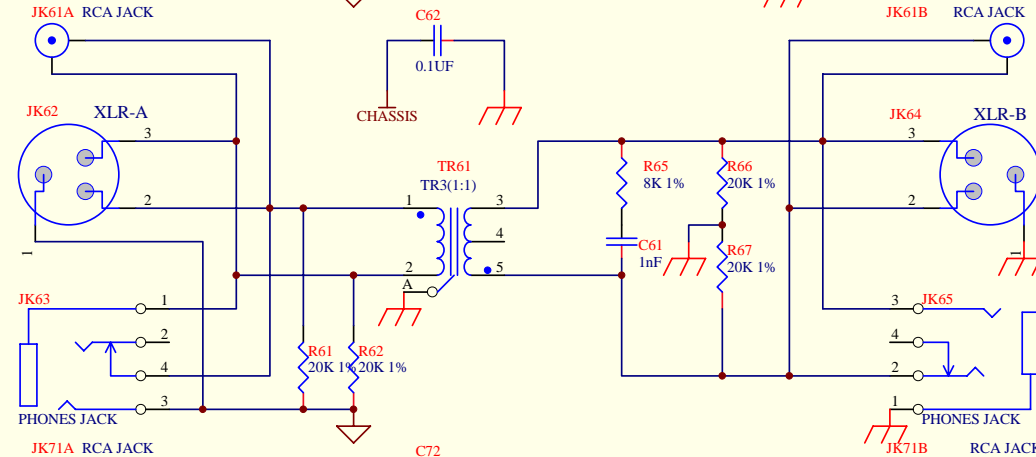
CHANNEL 5-OUTPUT

CHANNEL 2-INPUT



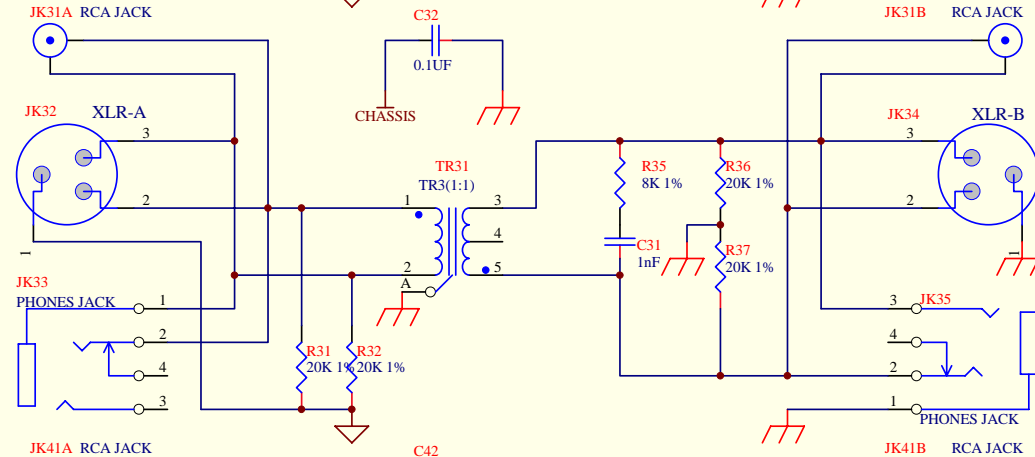
CHANNEL 2-OUTPUT

CHANNEL 6-INPUT



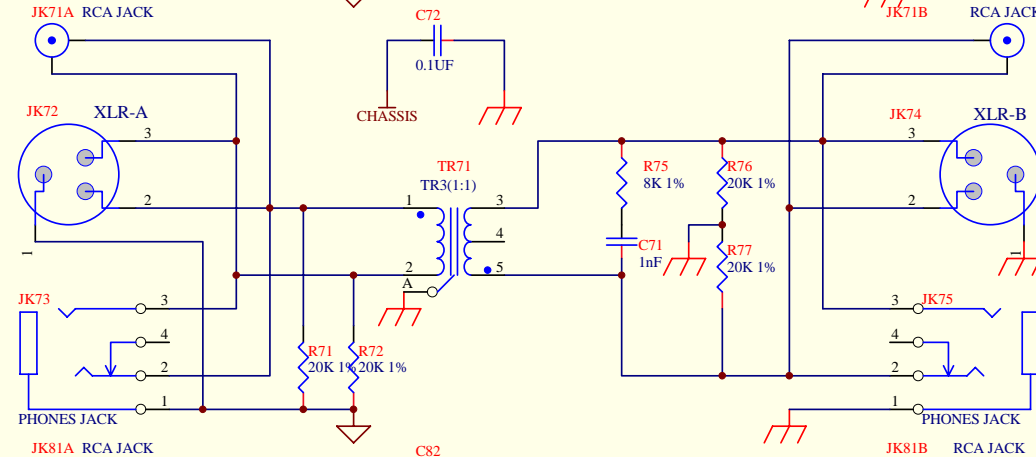
CHANNEL 6-OUTPUT

CHANNEL 3-INPUT



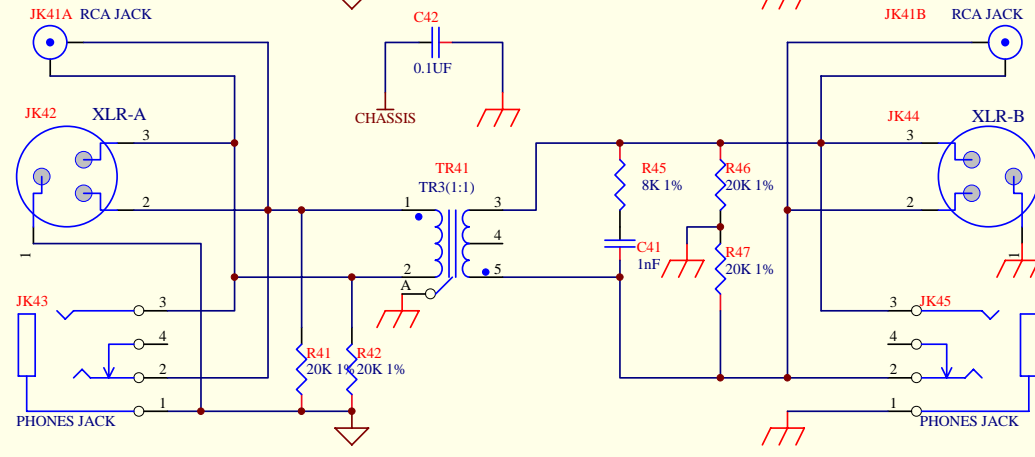
CHANNEL 3-OUTPUT

CHANNEL 7-INPUT



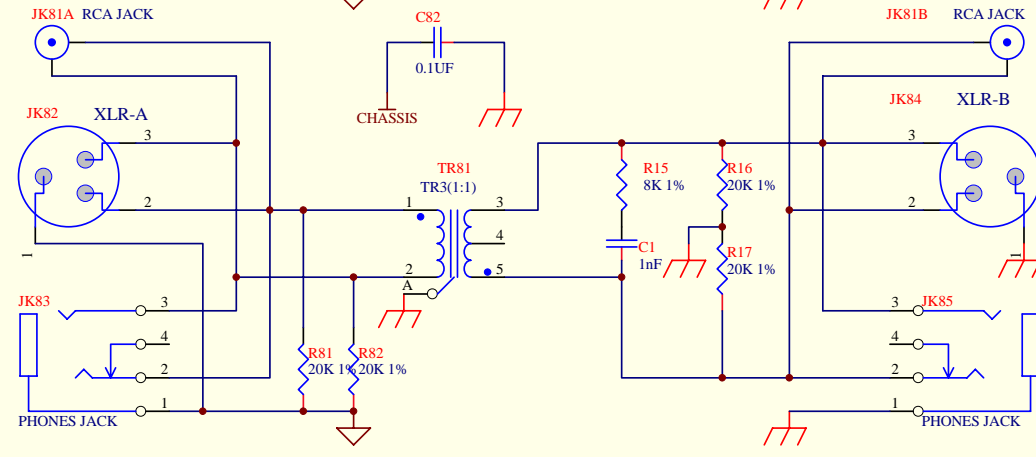
CHANNEL 7-OUTPUT

CHANNEL 4-INPUT



CHANNEL 4-OUTPUT

CHANNEL 8-INPUT



CHANNEL 8-OUTPUT