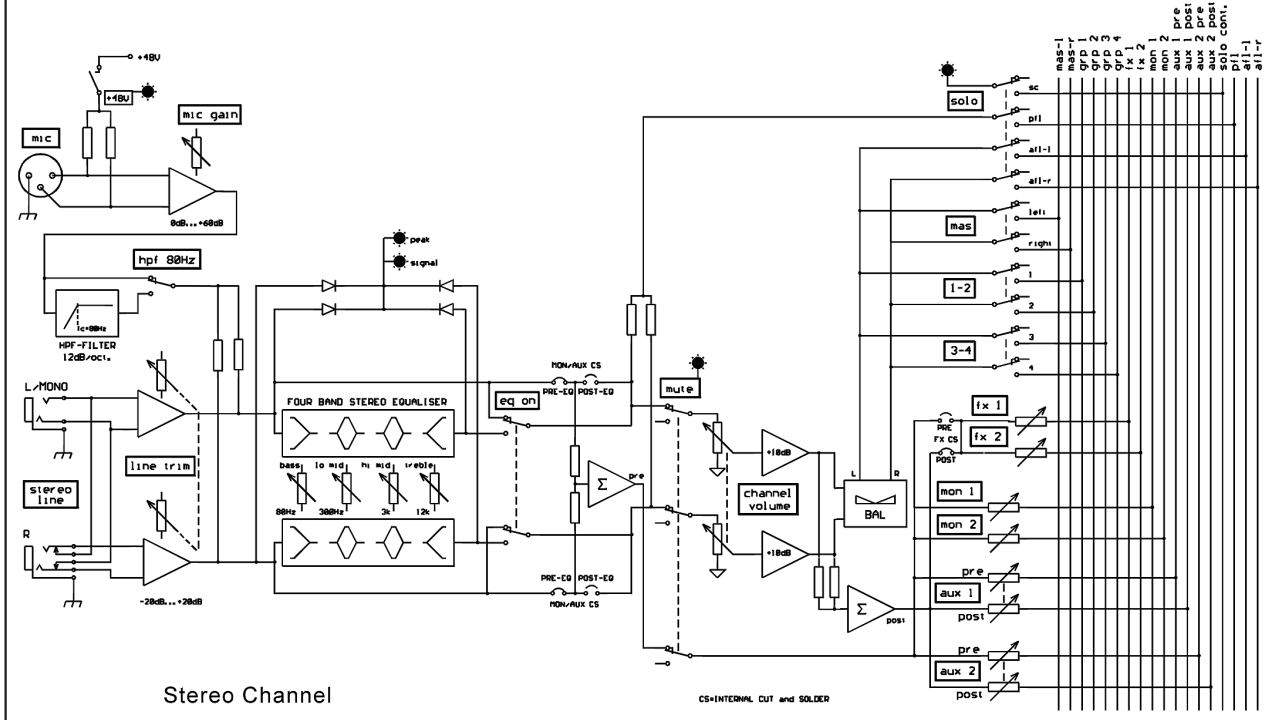


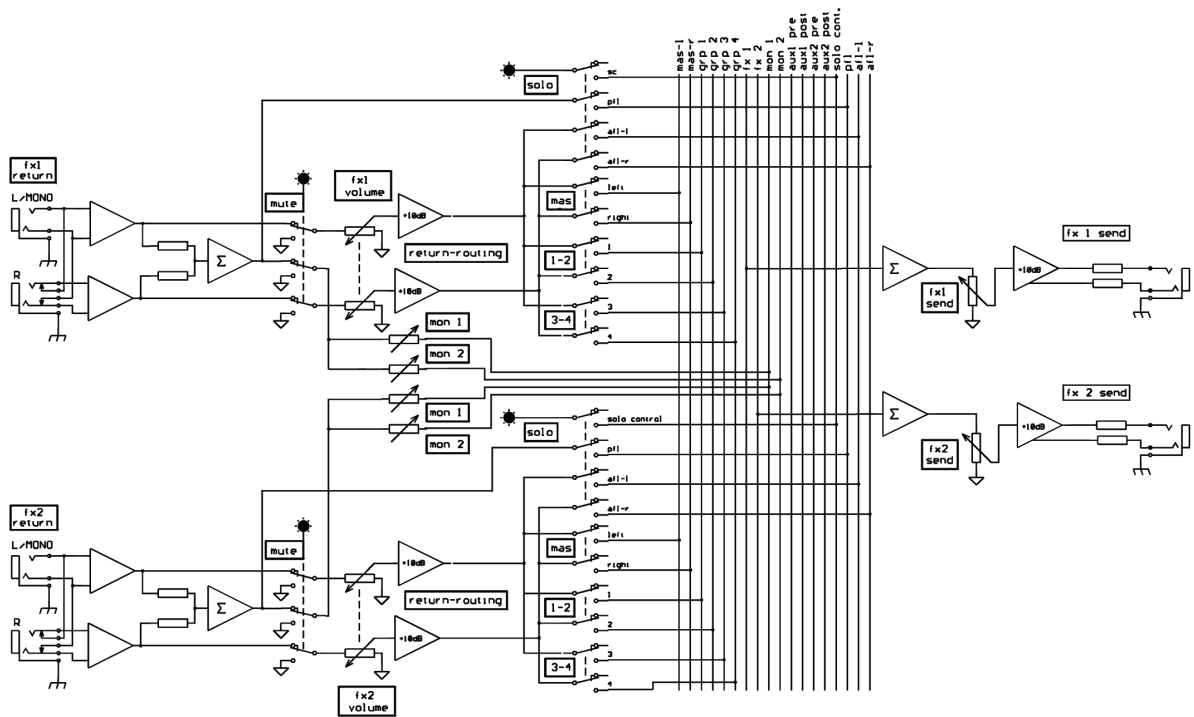
Mono Channel

CS=INTERNAL CUT and SOLDER

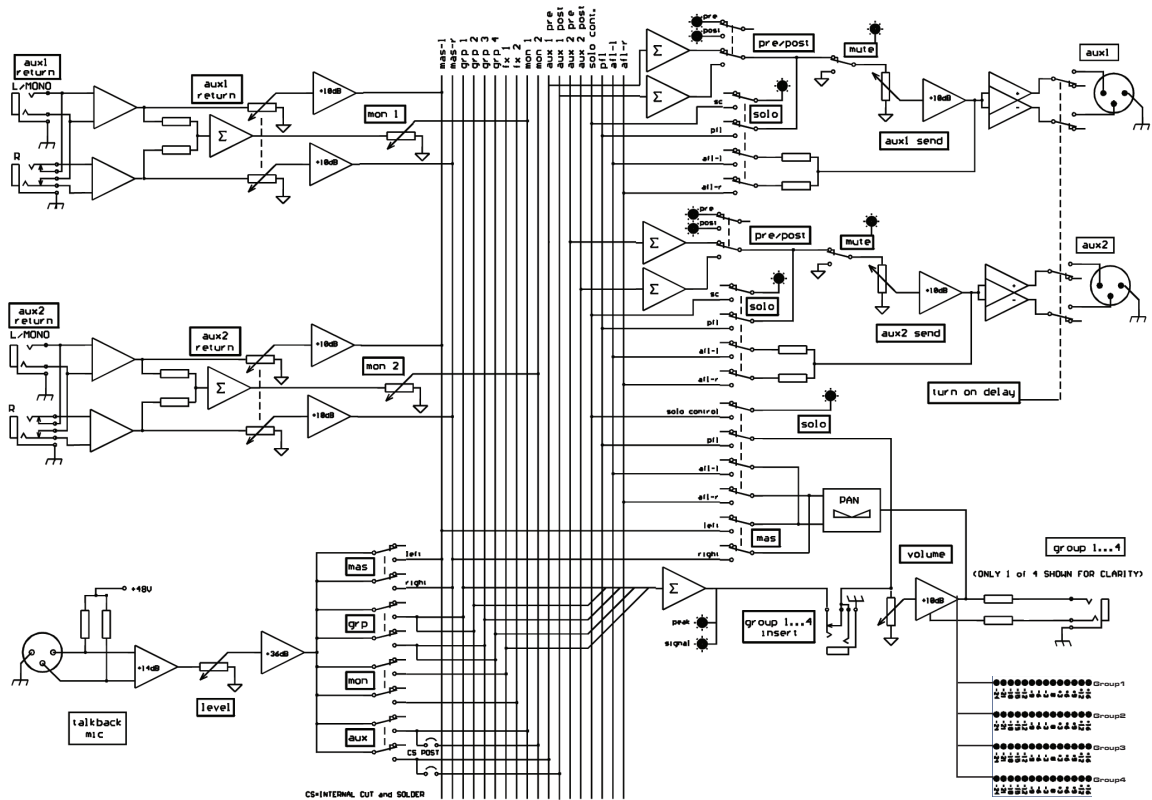


Stereo Channel

CS=INTERNAL CUT and SOLDER



FX-send, FX-return



Aux, Groups and Talkback

