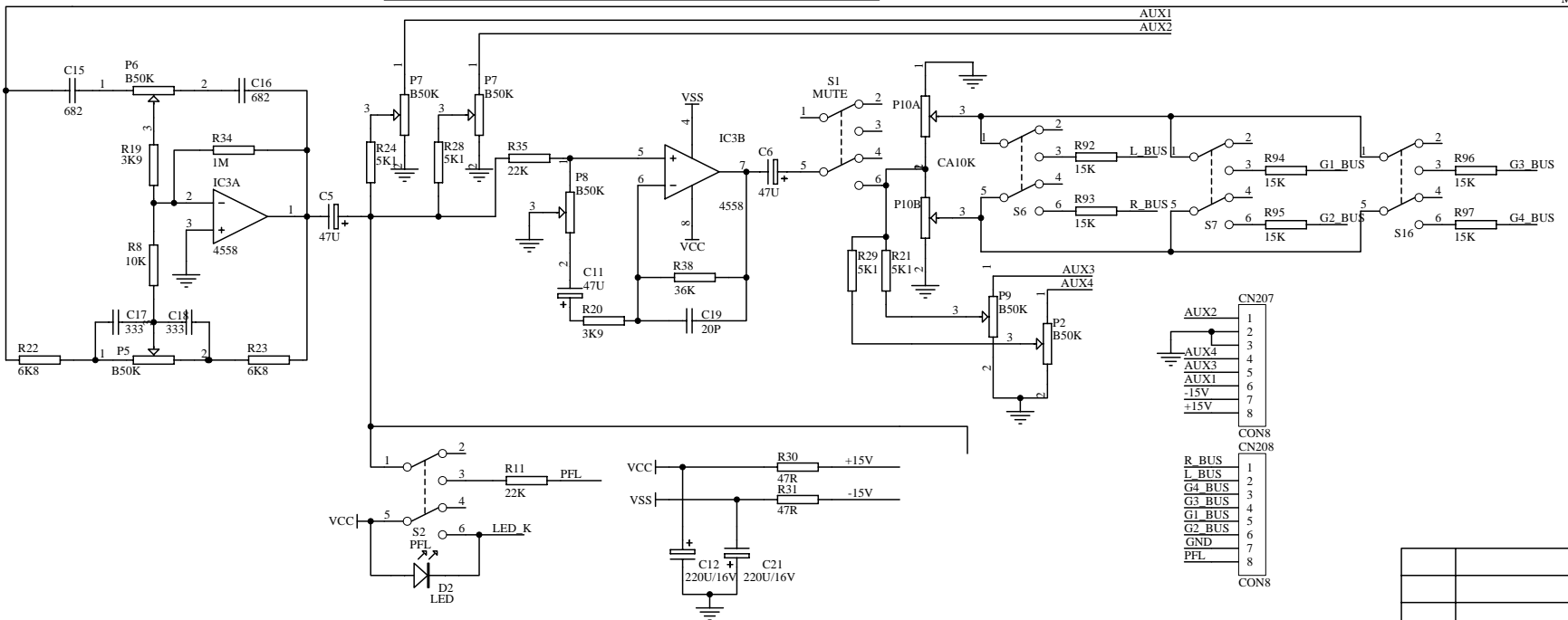
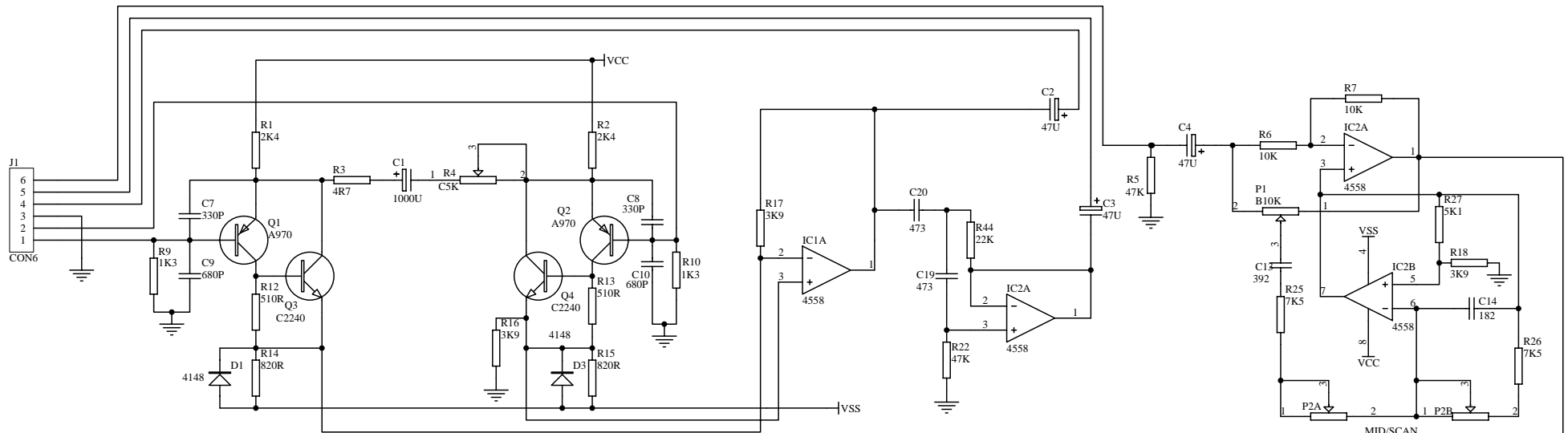
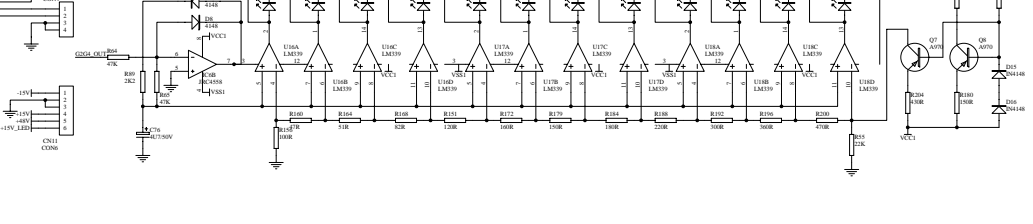
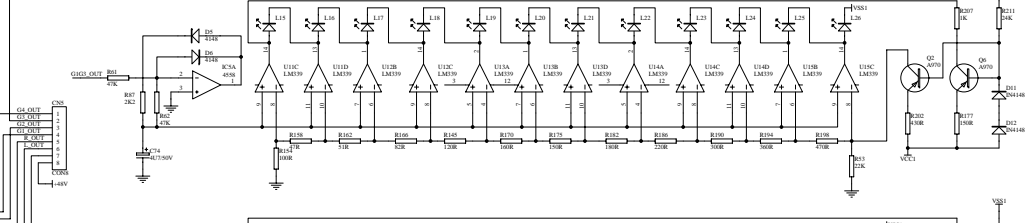
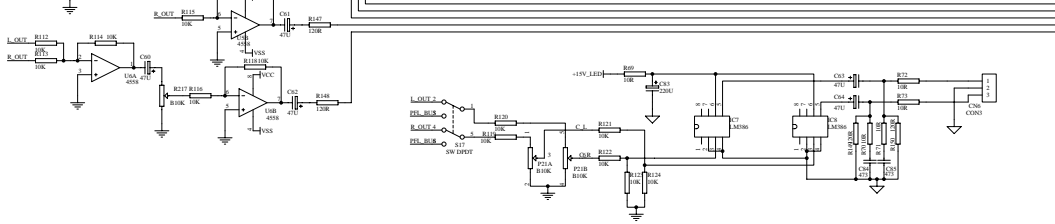
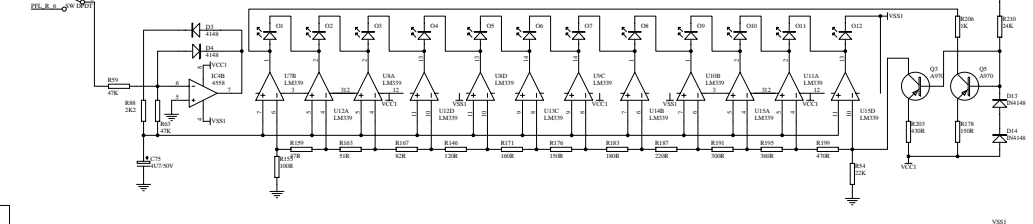
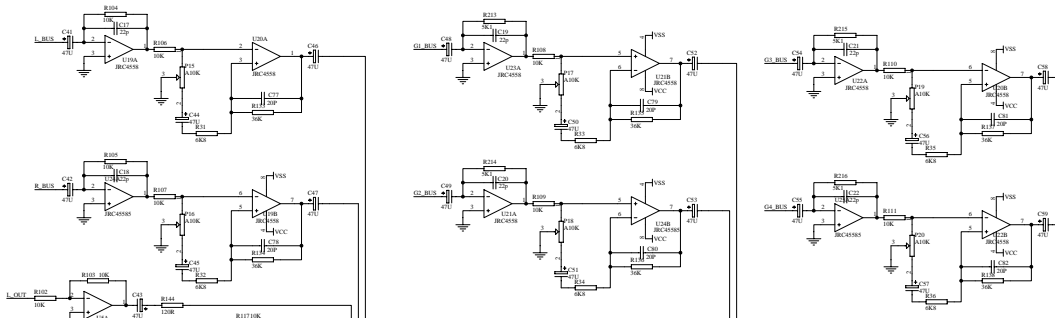
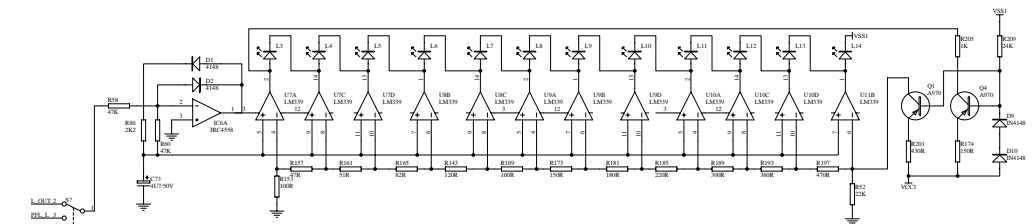
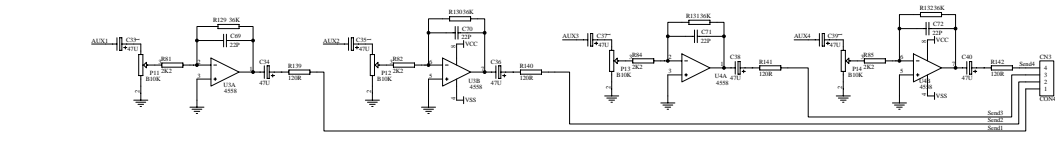
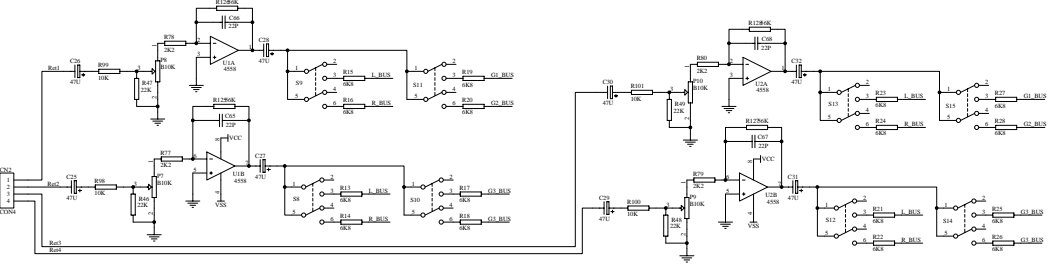
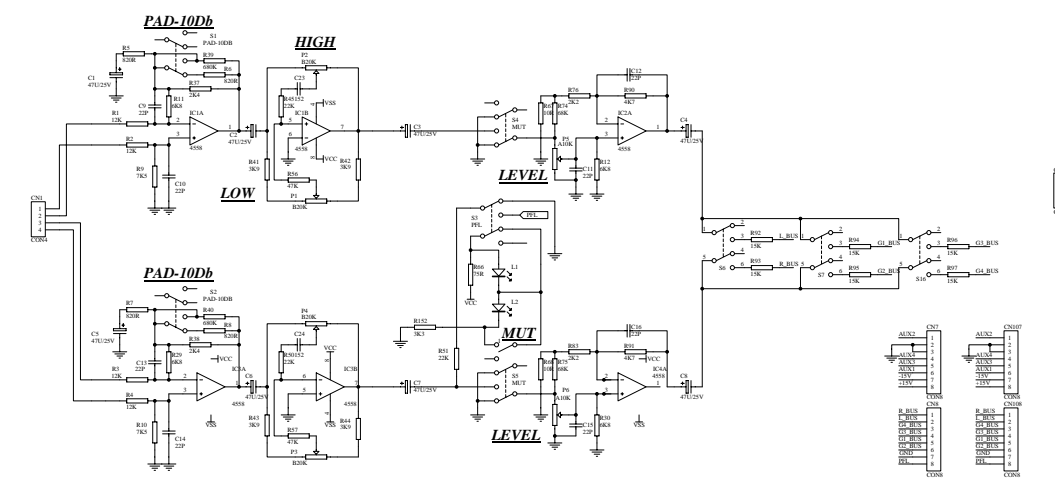


1 2 3 4 5 6

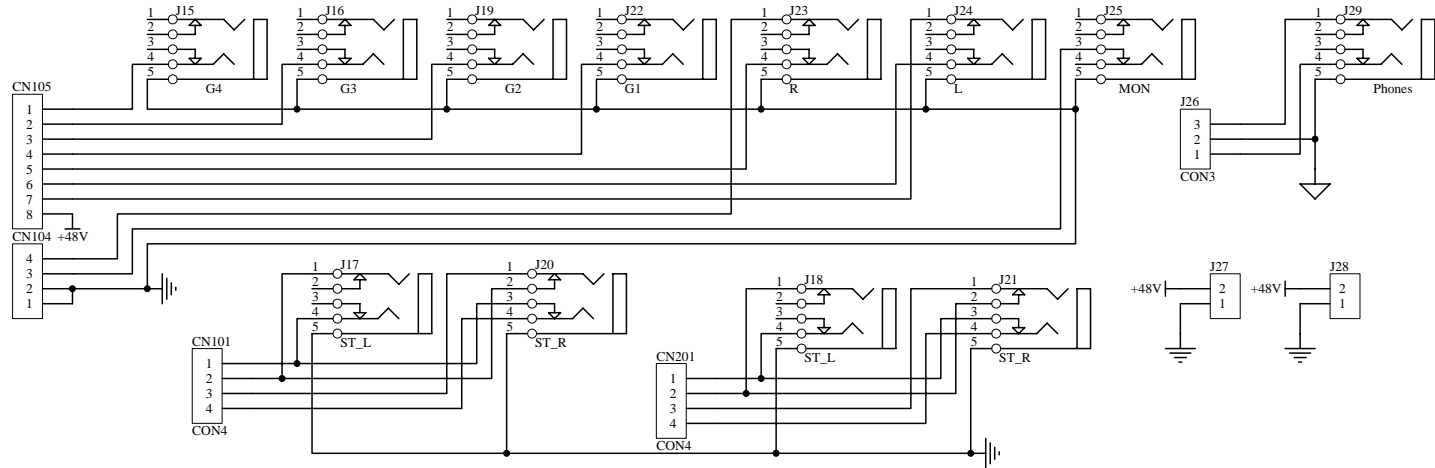
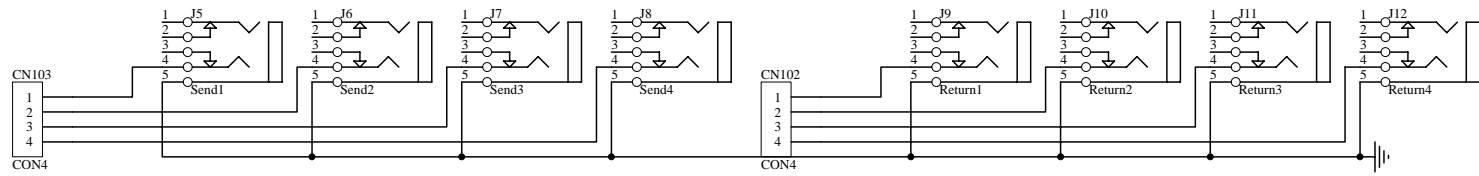


- CN207
- 1
- 2
- 3
- 4
- 5
- 6
- 7
- 8
- AUX2
- AUX4
- AUX3
- AUX1
- 15V
- +15V
- CON8
- CN208
- 1
- 2
- 3
- 4
- 5
- 6
- 7
- 8
- R_BUS
- L_BUS
- G4_BUS
- G3_BUS
- G1_BUS
- G2_BUS
- GND
- PFL
- CON8

1 2 3 4 5 6



| Rev | Changes | By | Reason |
|-----|-------------------|----------|----------------|
| 1 | Initial Design | J. Smith | Initial Design |
| 2 | Component Changes | J. Smith | Availability |
| 3 | Final Review | J. Smith | Final Review |



| | | |
|-------|-----------------------|-----------|
| Title | | |
| Size | Number | Revision |
| B | | |
| Date: | 17-Jul-2008 | Sheet of |
| File: | D:\坤鸿工作\我的原理图\CLS.Ddb | Drawn By: |