



LS-622A

LS-822A

LS-1222A

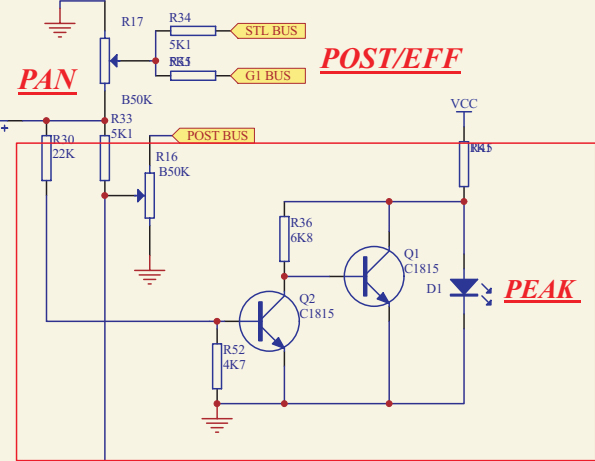
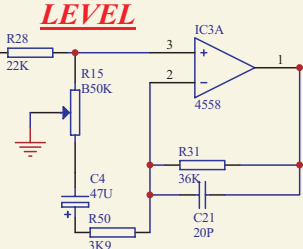
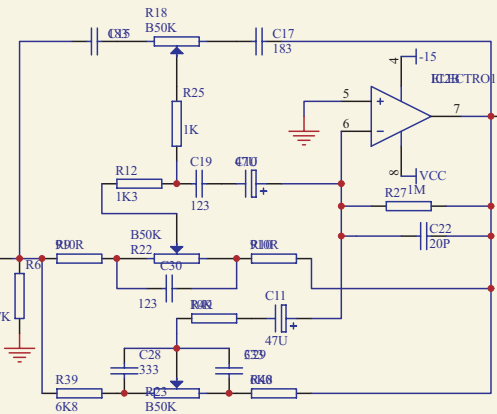
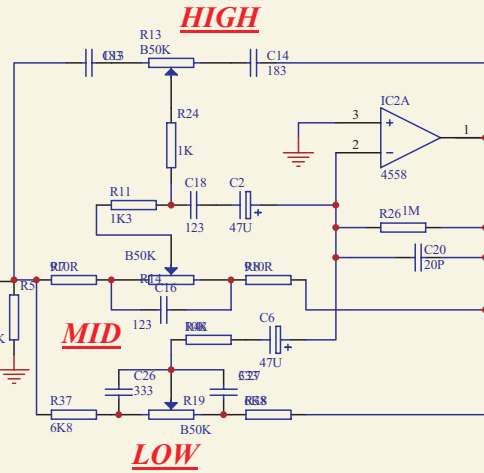
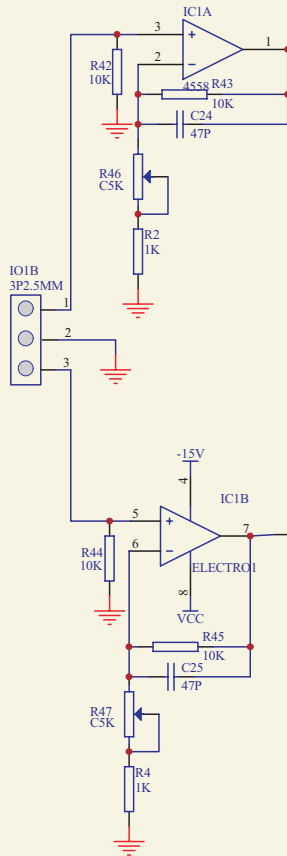
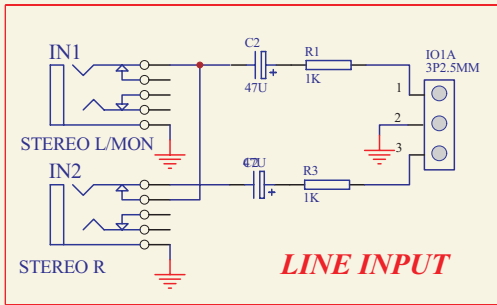
Service-Dokumente

Service-documents


Documents de service

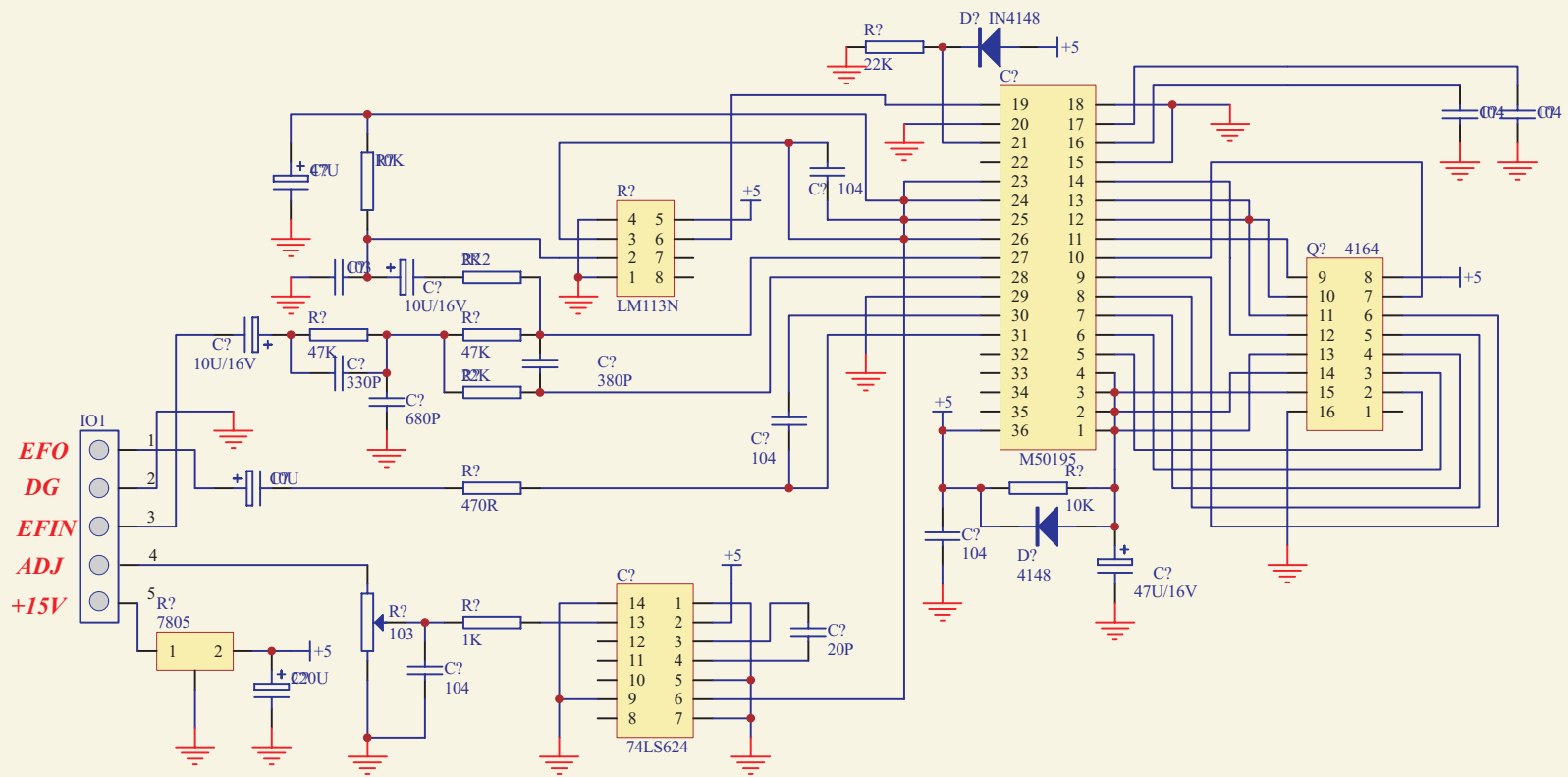
Documentos de servicio

Version 1.0




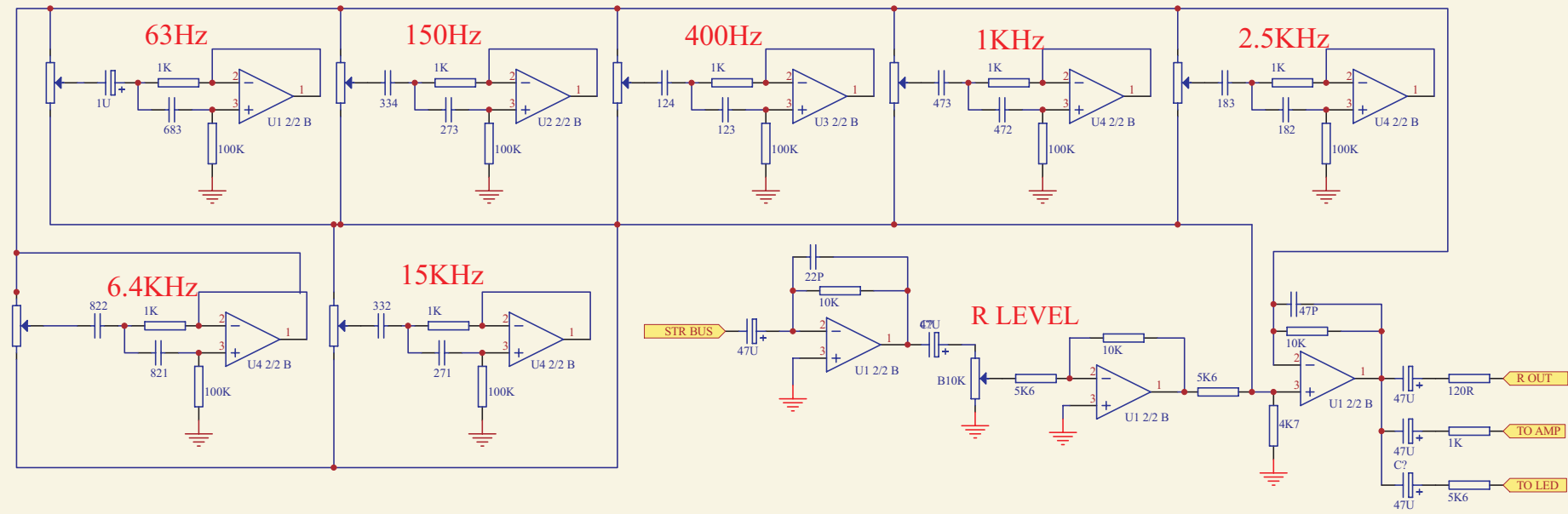
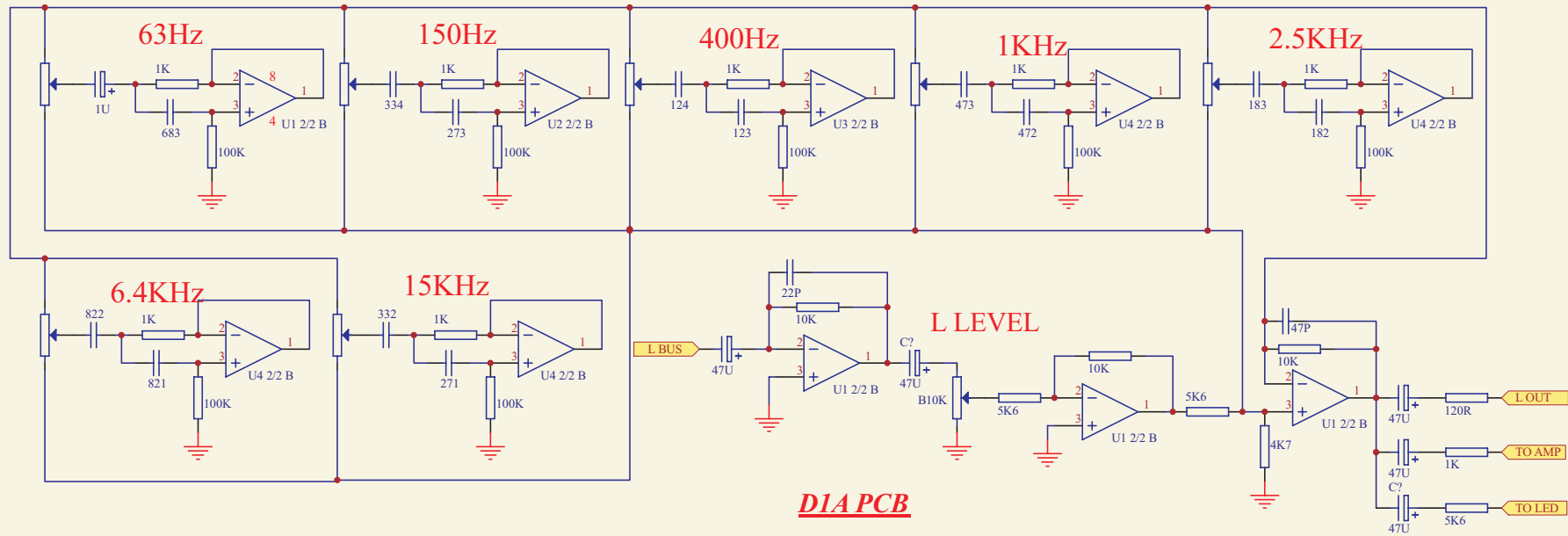
STEREO TONE PART


LS-622A/822A/1222A	
	05/05/26
 www.omnitronic.com	

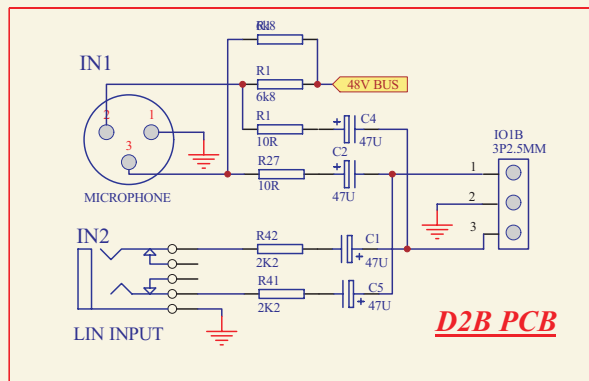
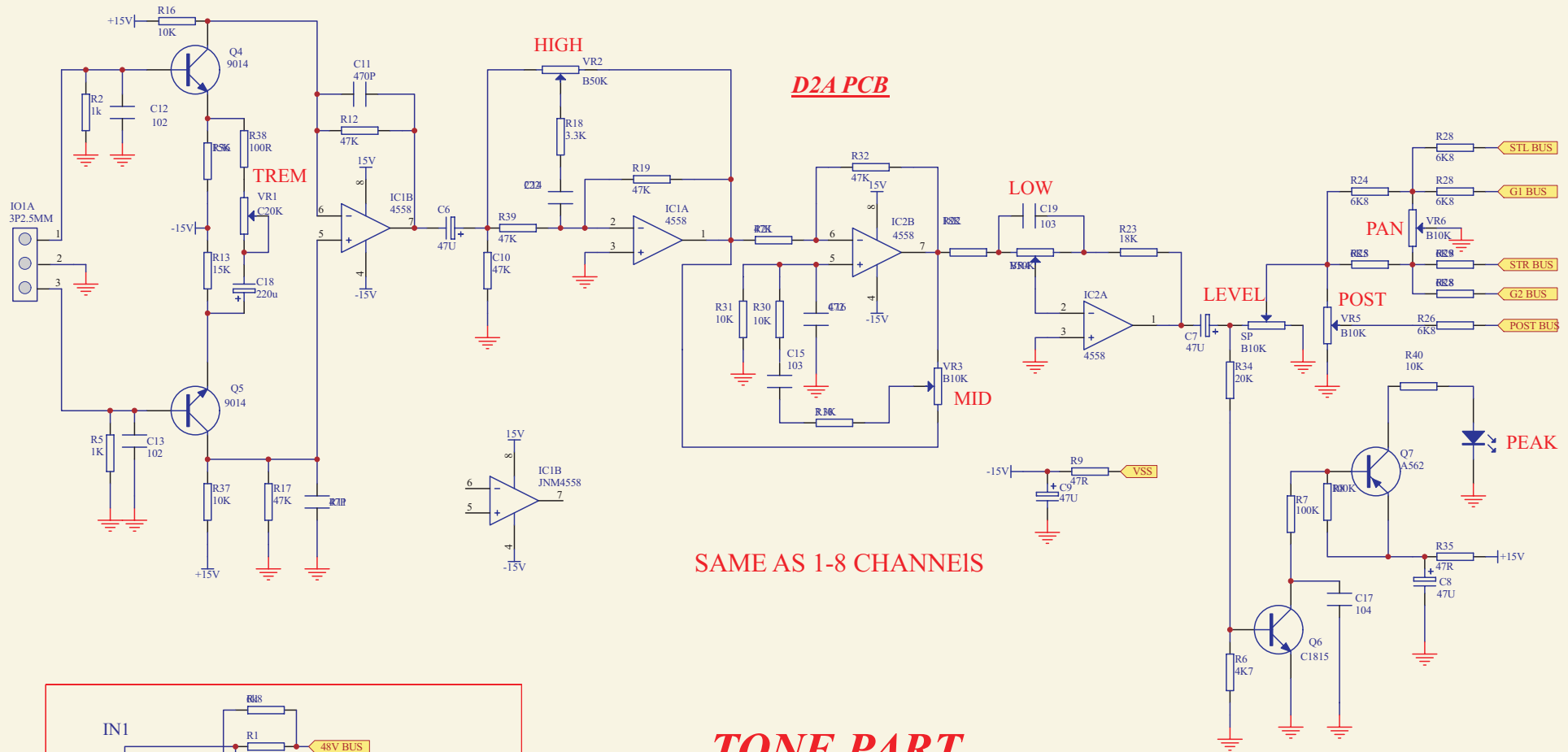


ECHO PART

LS-622A/822A/1222A		
		21/04/04
		 www.omnitronic.com

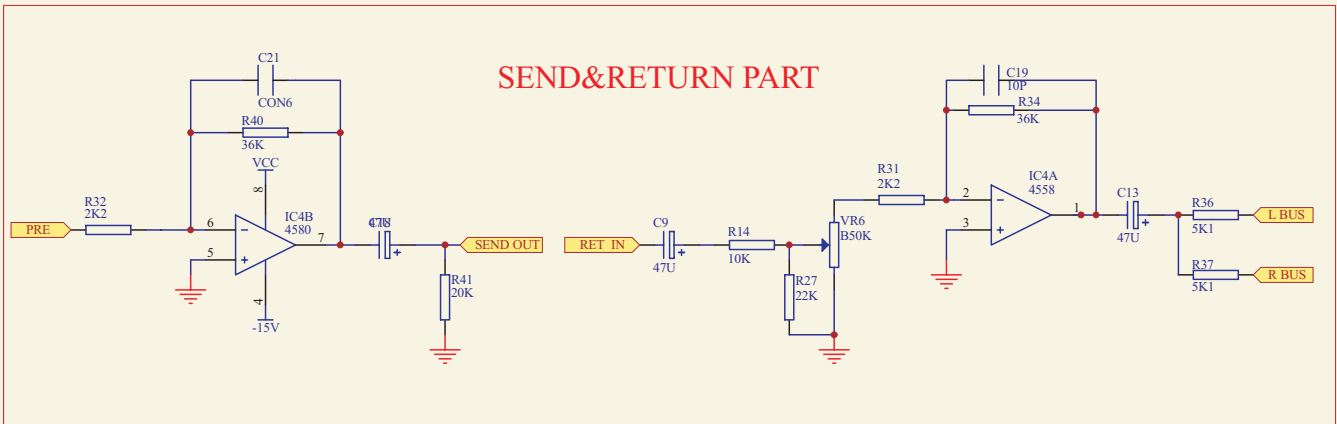
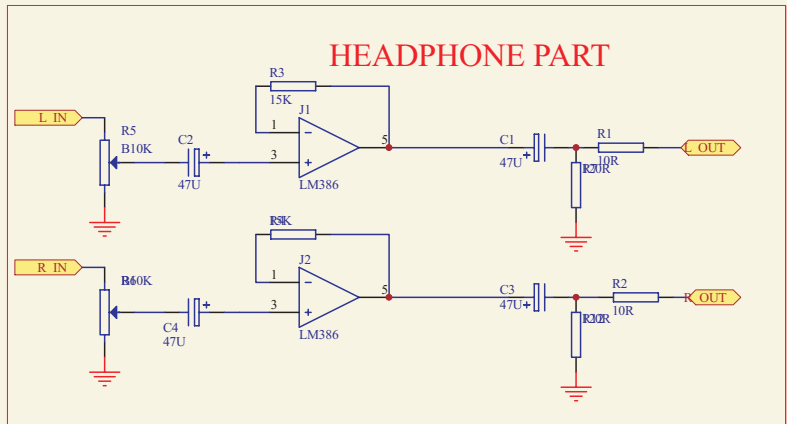


LS-622A/822A/1222A		
		05/05/26
 www.omnitronic.com		




TONE PART

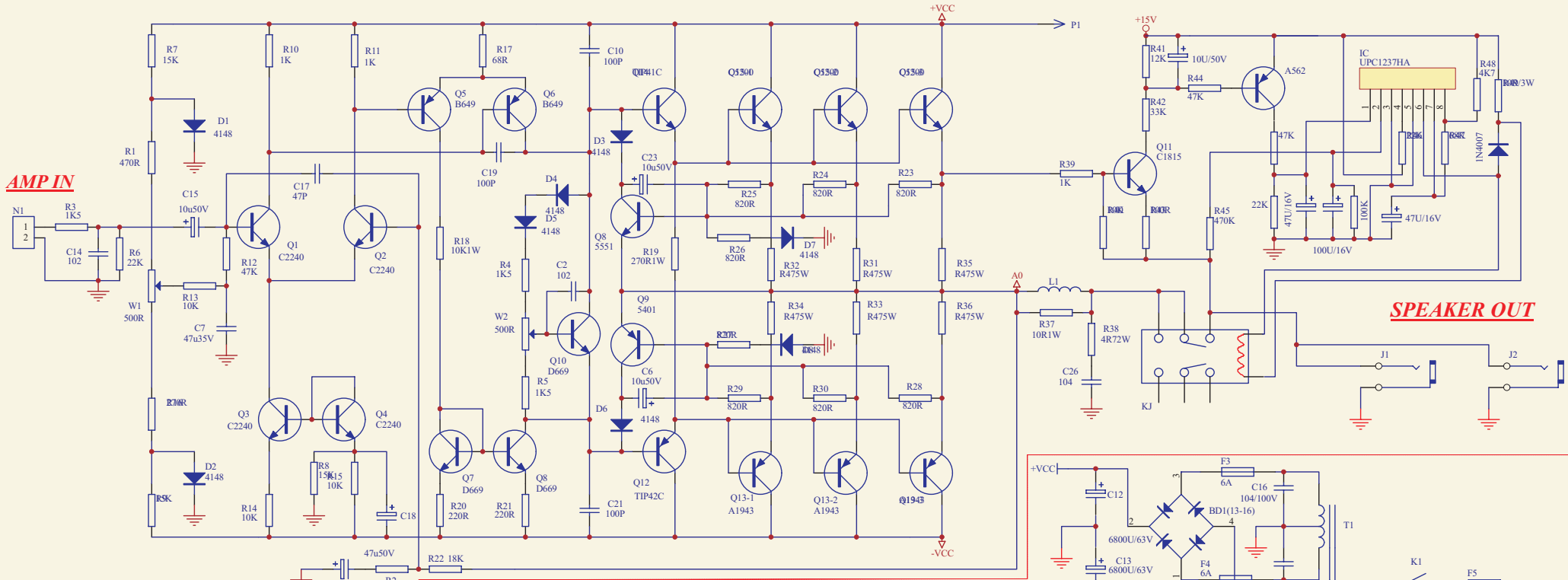
LS-622A/822A/1222A	
05/05/26	
www.omnitronic.com	



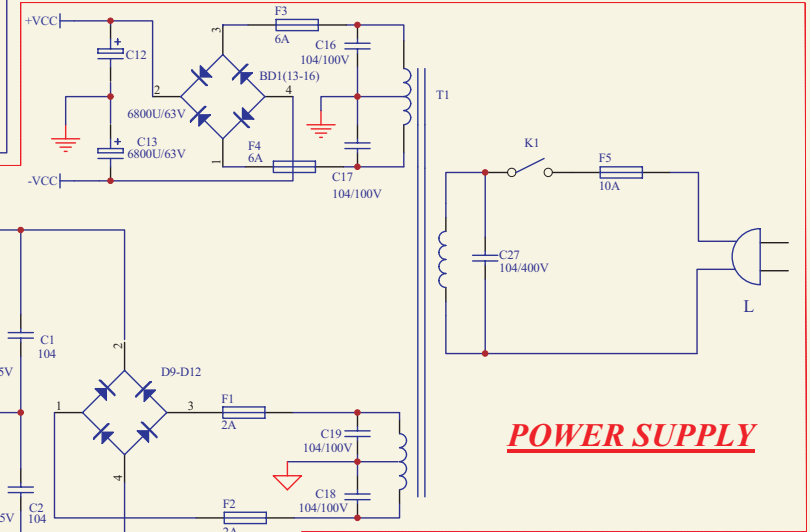
PUBLIC PART

LS-622A/822A/1222A	
05/05/26	
 www.omnitronic.com	

AMP IN



SPEAKER OUT



POWER SUPPLY

TO FAN POWER SUPPLY

TO MAIN BAOD POWER SUPPLY

AMP PART

LS-622A/822A/1222A

05/05/26

