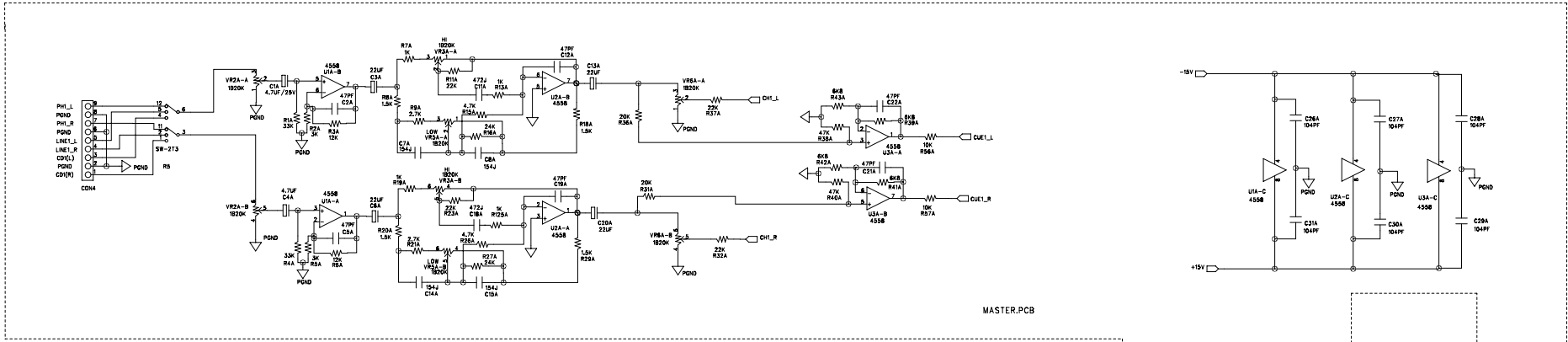
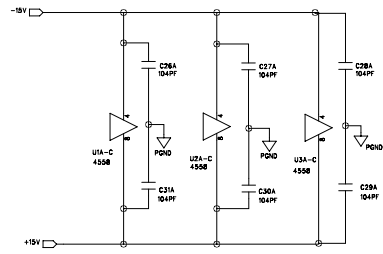


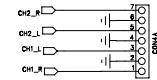
COMPANY:	WEI JUN
MODEL:	OMNITRONIC PM-222 2-channel DJ-mixer
ENGINEER:	L . X . Y
DATE:	2009 6 15
	SHEET: 2 OF 3



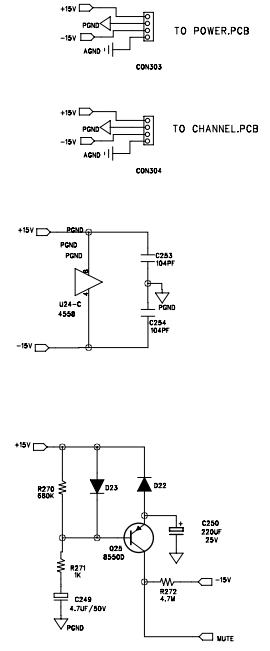
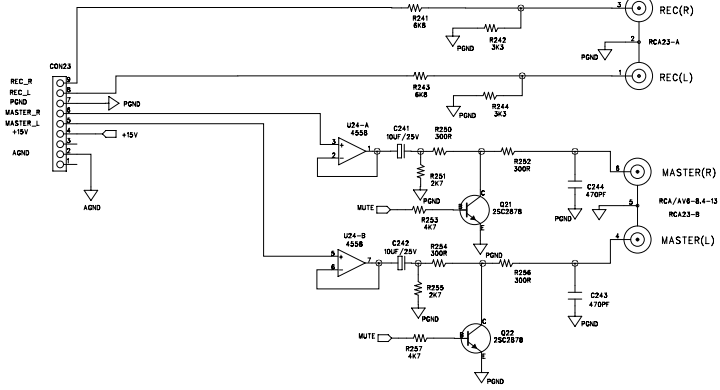
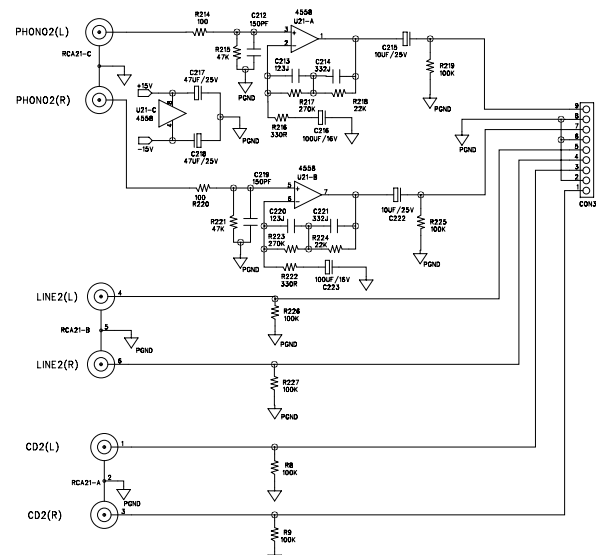
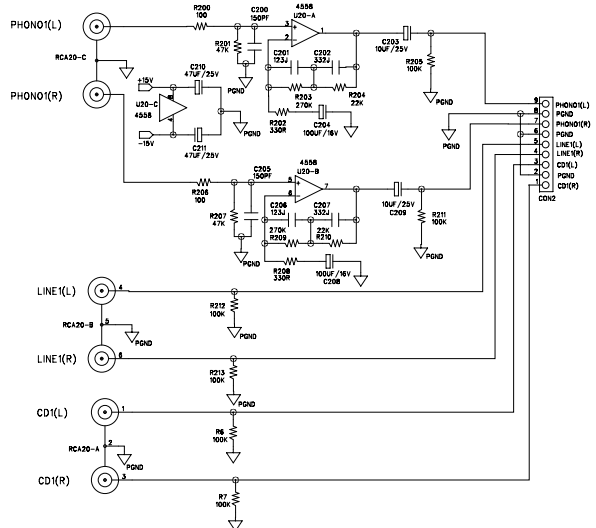
MASTER.PCB



VR.PCB



COMPANY:	WEI JUN
MODEL:	OMNITRONIC PM-222 2-channel DJ-mixer
ENGINEER:	L .X . Y
DATE:	2009 6 15
	SHEET: 1 OF 3



INPUT/OUTPUT.PCB

COMPANY:	WEI JUN
MODEL:	OMNITRONIC PM-222 2-channel DJ-mixer
ENGINEER:	L. X. Y
DATE:	2009.6 15
	SHEET: 3 OF 3