

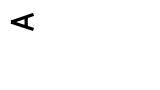
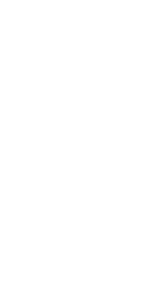
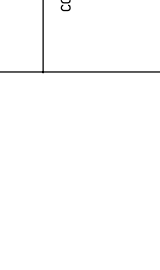
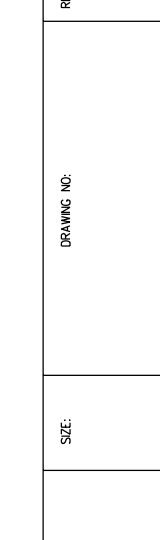
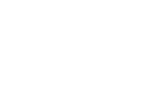
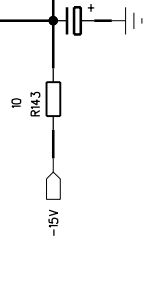
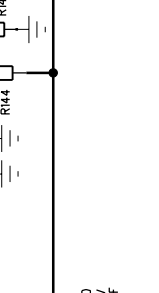
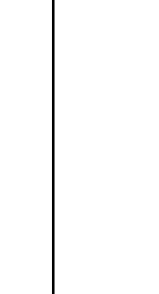
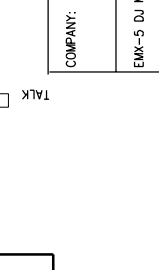
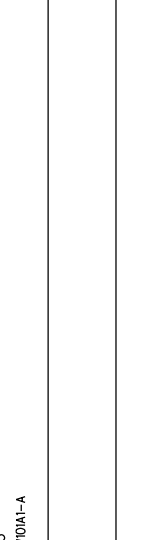
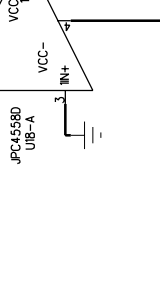
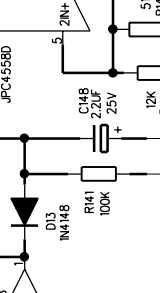
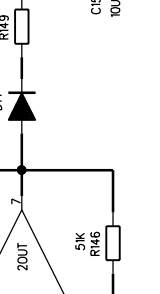
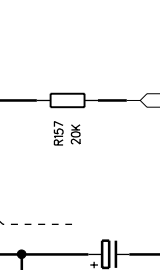
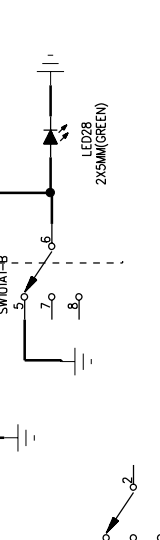
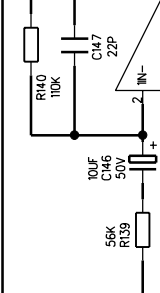
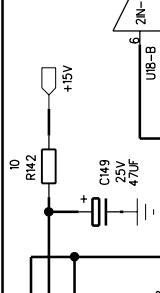
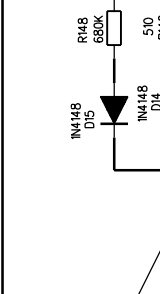
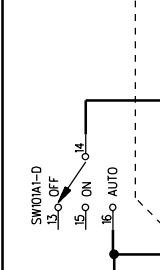
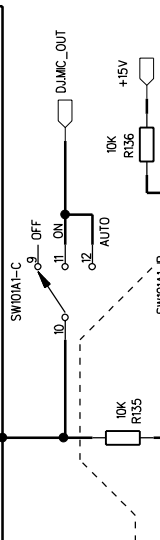
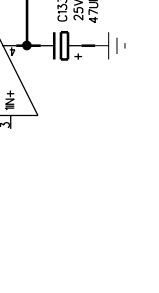
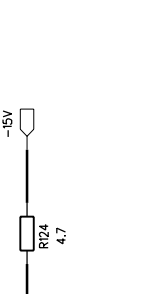
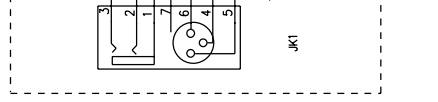
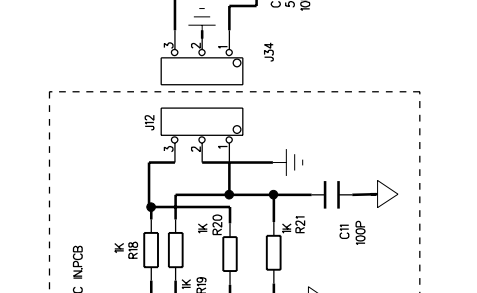
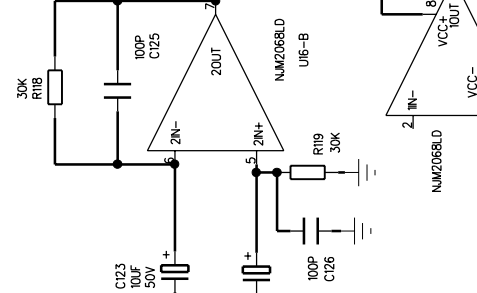
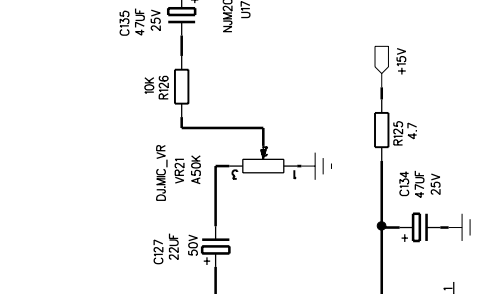
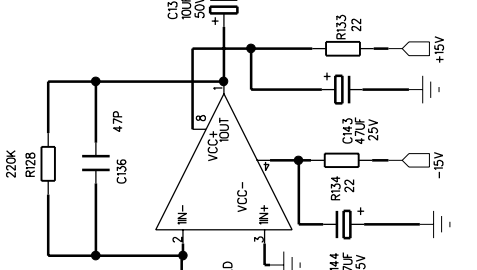
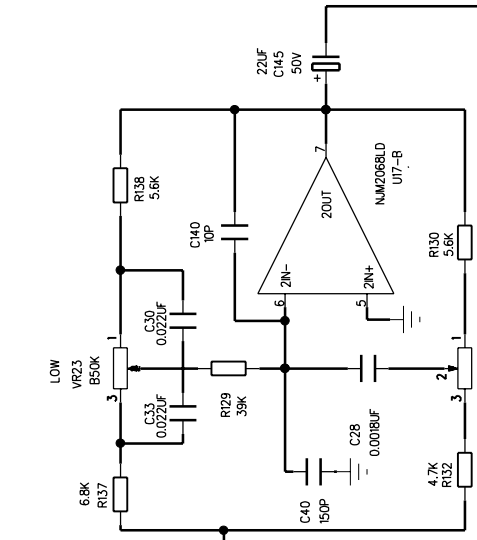
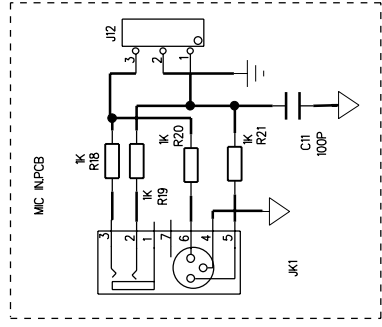


**SERVICE-DOKUMENTE
SERVICE DOCUMENTS
DOCUMENTS DE SERVICE
DOCUMENTOS DE SERVICIO**

EMX-5

Version 1.0

1 2 3 4 5 6



1

2

3

4

5

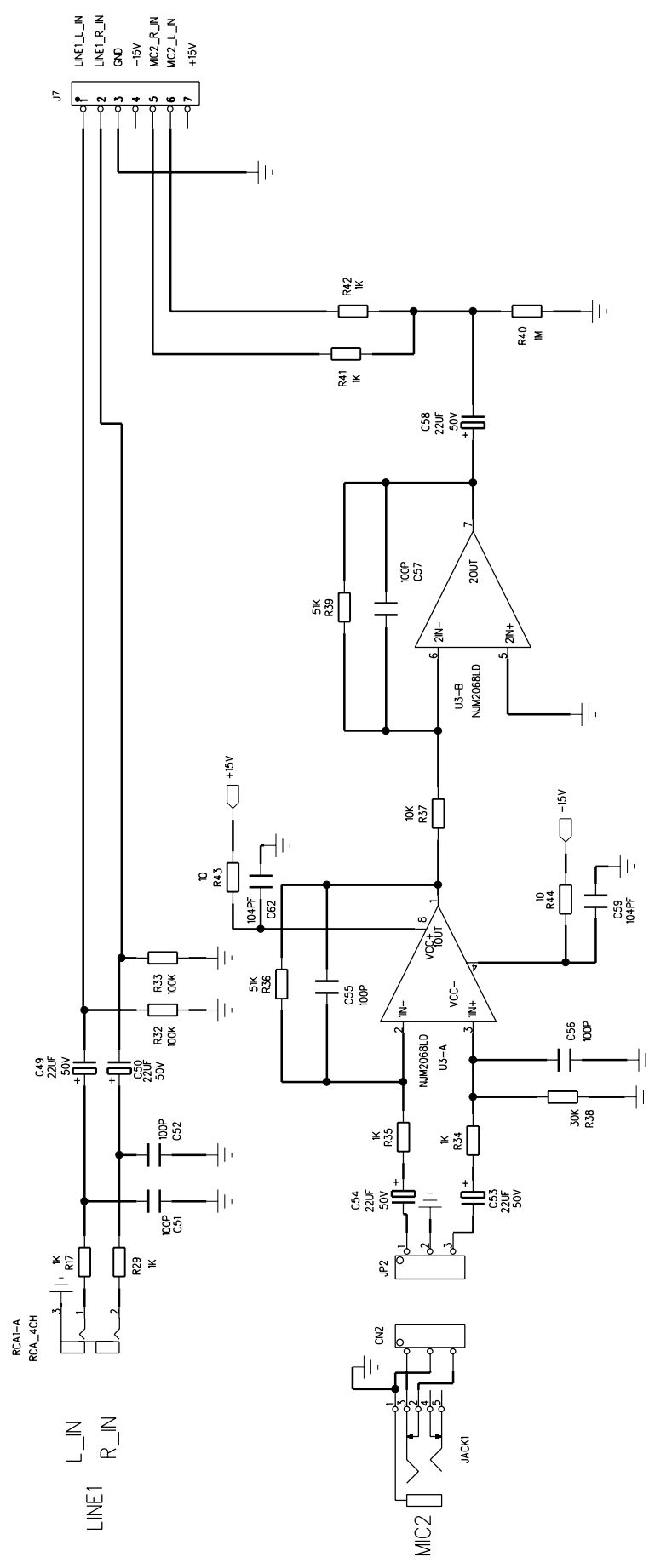
6

D

C

B

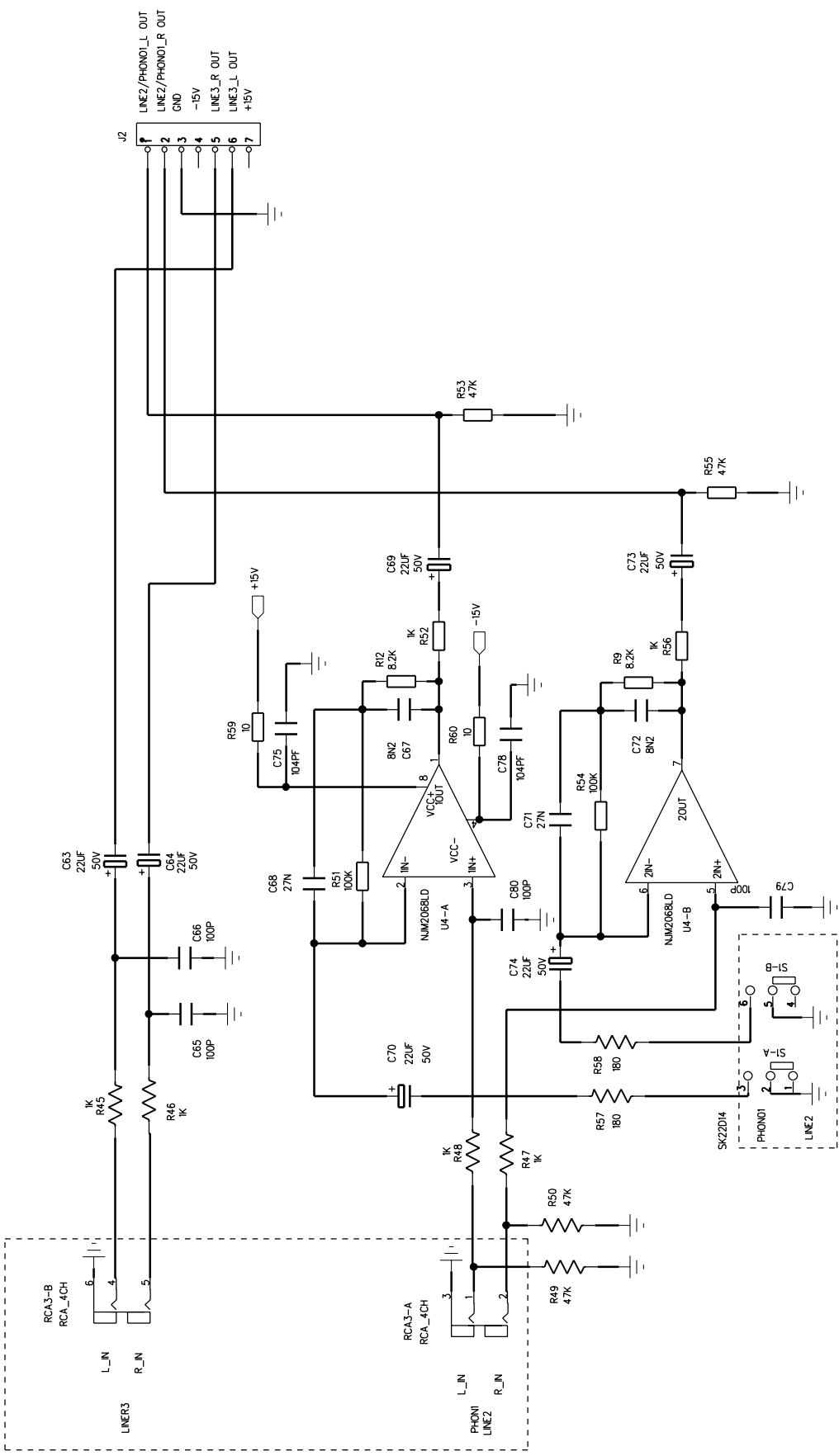
A



TITLE:

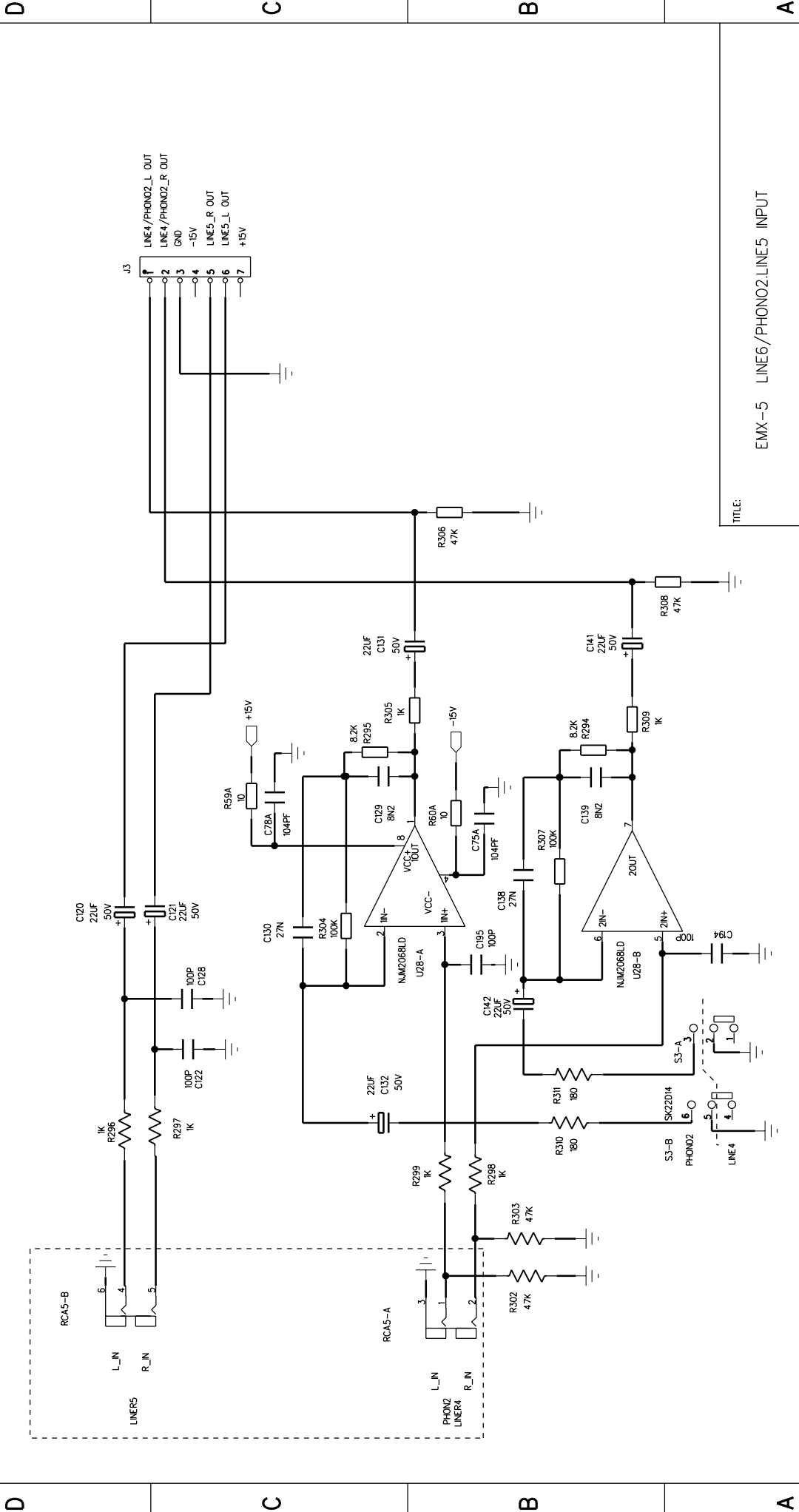
EMX-5 LINE1/LINE2/MIC INPUT

CODE:	SIZE:	DRAWING NO:	REV:
SCALE:	SHEET:	OF	



TITLE: EMX-5 LINE3 PHONO1/LINE4 INPUT

CODE:	SIZE:	DRAWING NO:	REV:
SCALE:	SHEET:	OF	



TITLE: EMX-5 LINE6/PHONO2 LINES INPUT	
CODE:	DRAWING NO:
SIZE:	REV:
SCALE:	SHEET: OF

6

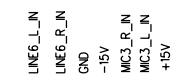
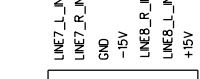
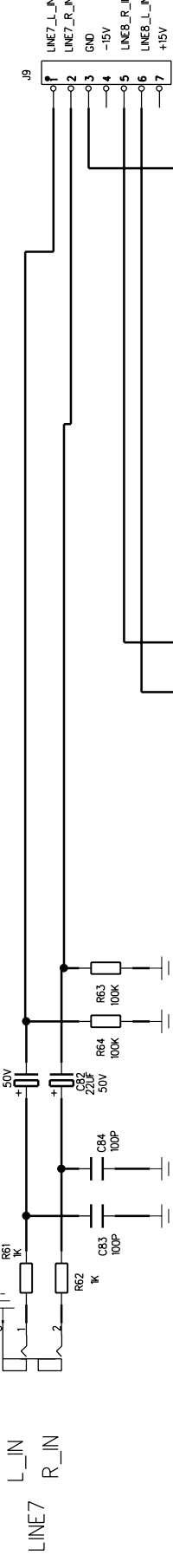
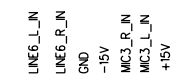
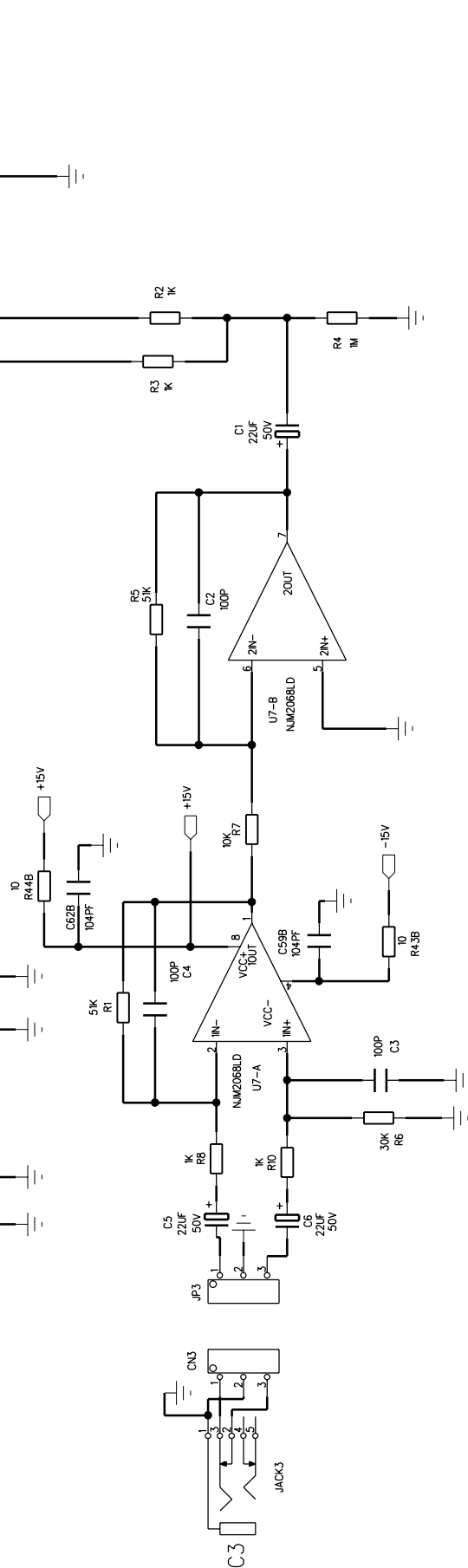
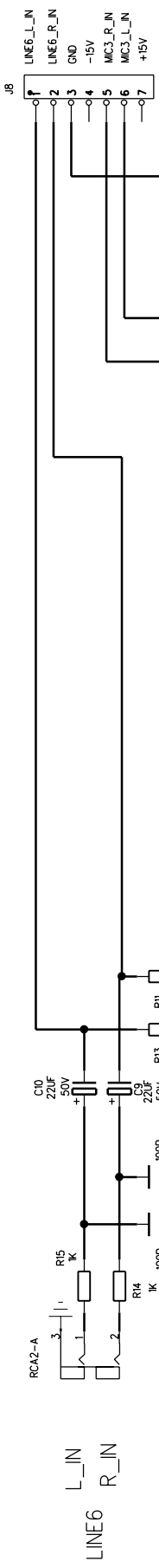
5

4

3

2

1



TITLE: EMX-5 LINE1/LINE2/MIC INPUT

CODE:	SIZE:	DRAWING NO:	REV:
SCALE:	SHEET:	OF	

6

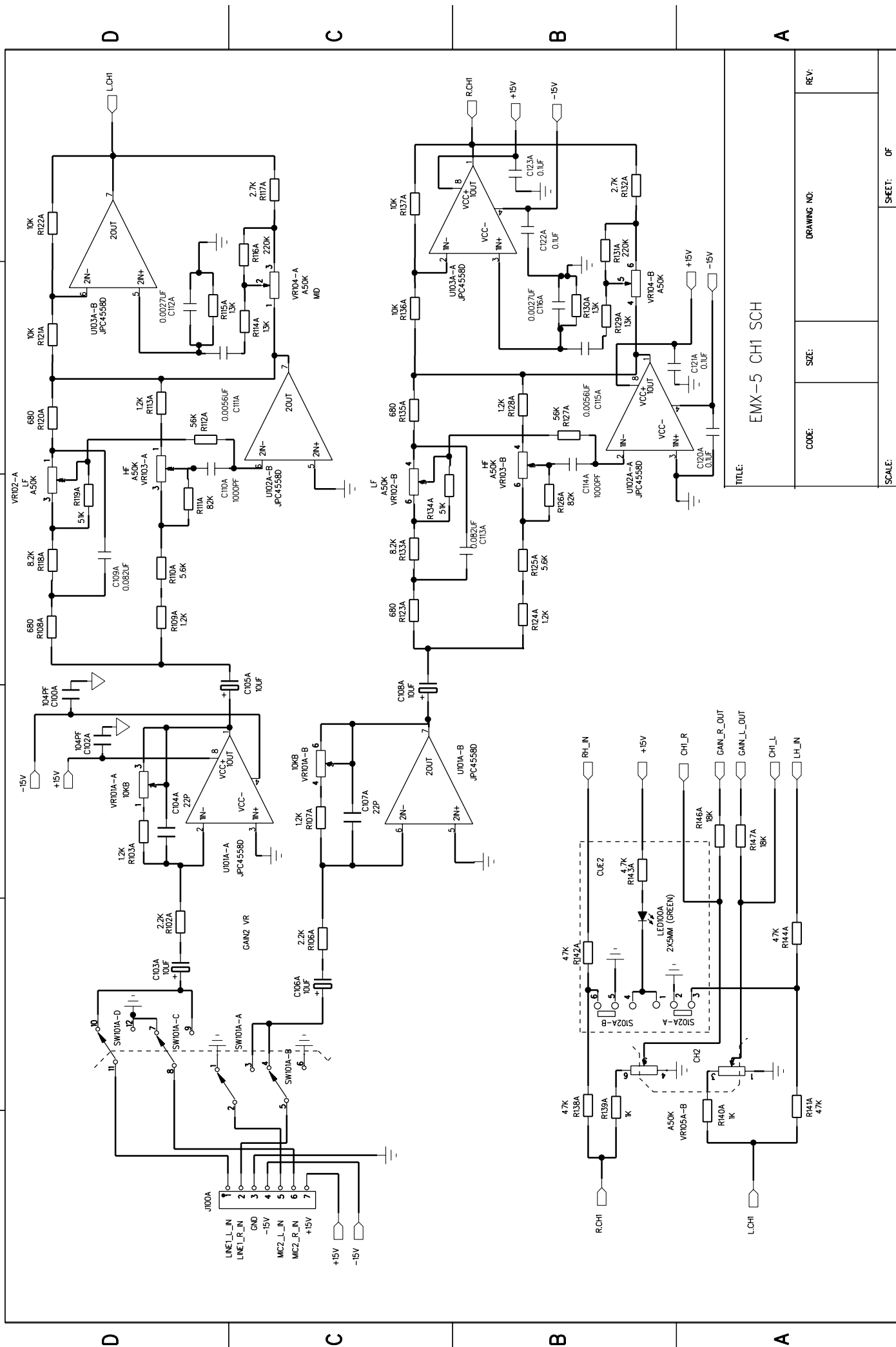
5

4

3

2

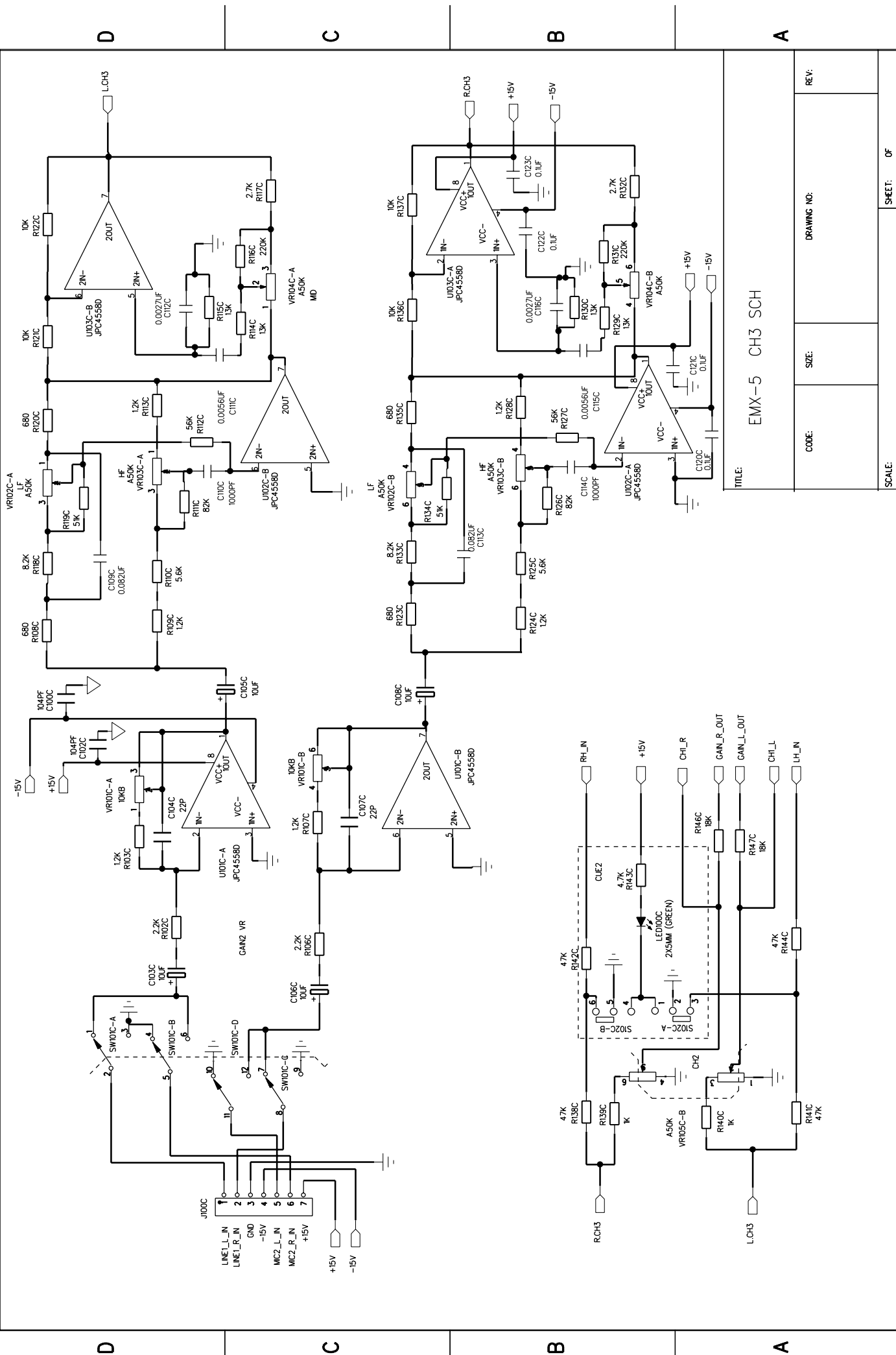
1



TITLE: EMX-5 CH1 SCH

REV:	
DRAWING NO:	
CODE:	
SIZE:	
SCALE:	
SHEET:	OF

6 5 4 3 2 1



TITLE: EMX-5 CH3 SCH

CODE:	SIZE:	DRAWING NO:	REV:
SCALE:	SHEET:	OF	

6

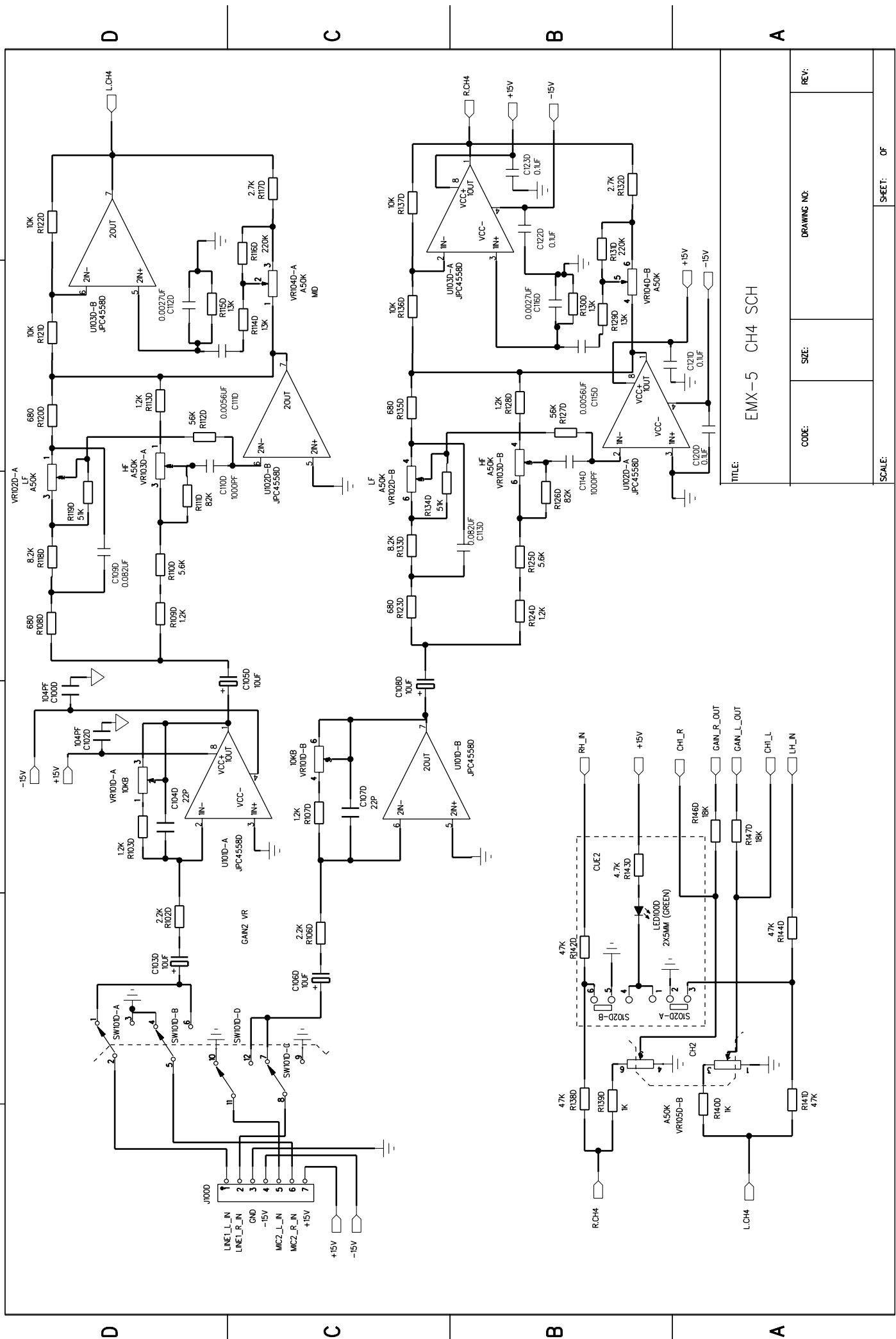
5

4

3

2

1



TITLE: EMX-5 CH4 SCH

CODE:	SIZE:	DRAWING NO:	REV:
SCALE:	SHEET:	OF	

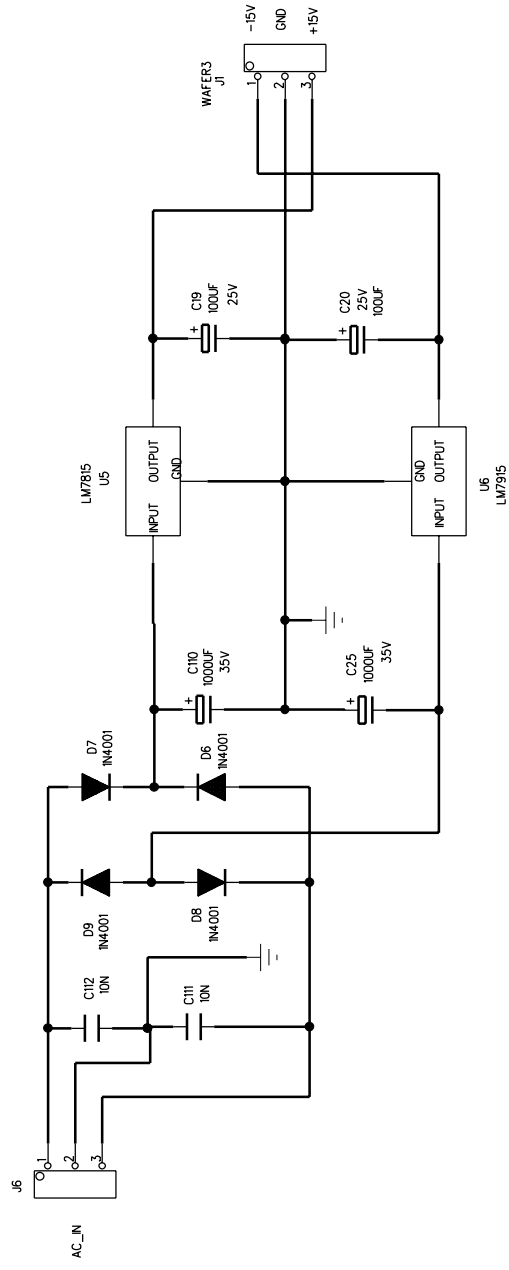
1 2 3 4 5 6

D

C

B

A



TITLE: EMX-5 POWER SUPPLY

CODE:	SIZE:	DRAWING NO:	REV:
SCALE:	SHEET: OF		

D

C

B

A

1

2

3

4

5

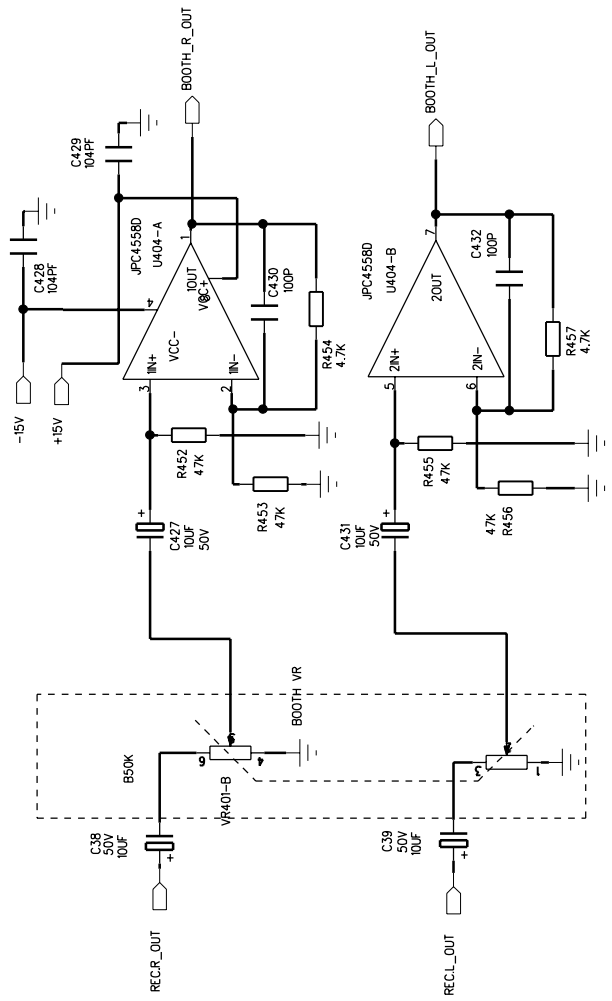
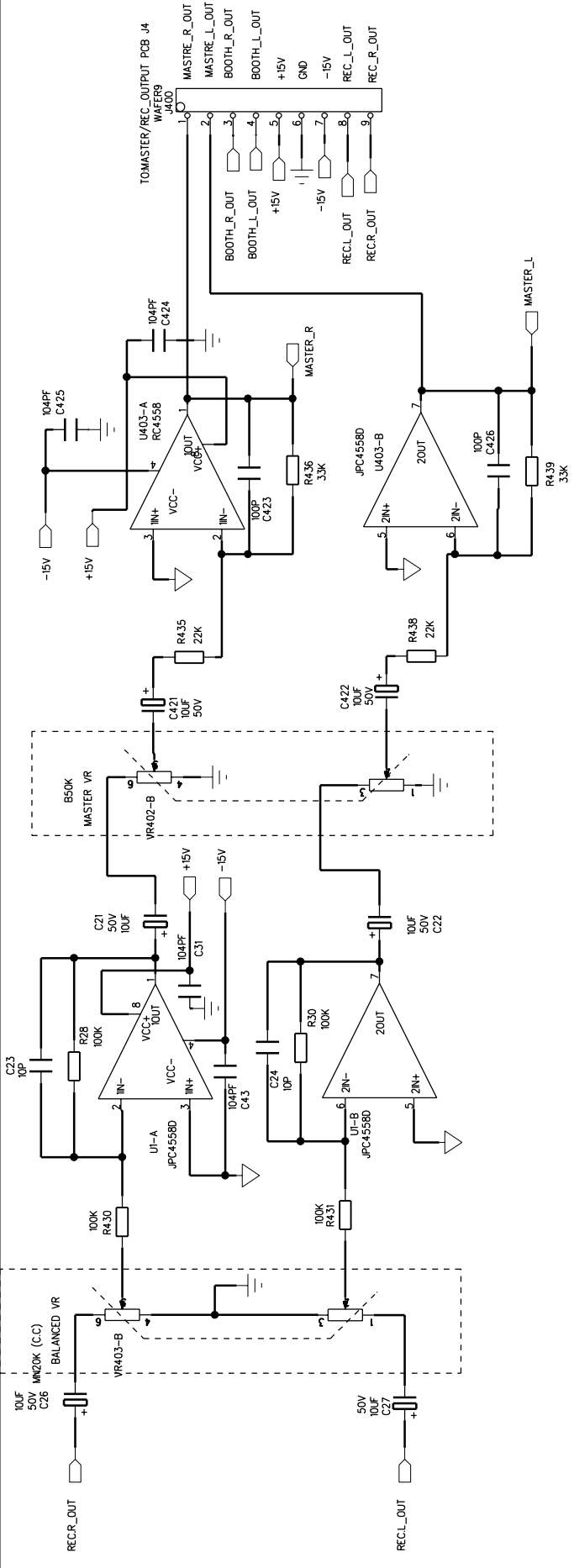
6

D

C

B

A



D

C

B

A

EMX-5 MASTER AMP

TITLE:

REV:

DRAWING NO:

CODE:

SIZE:

SHEET: 0F

SCALE:

1

2

3

4

5

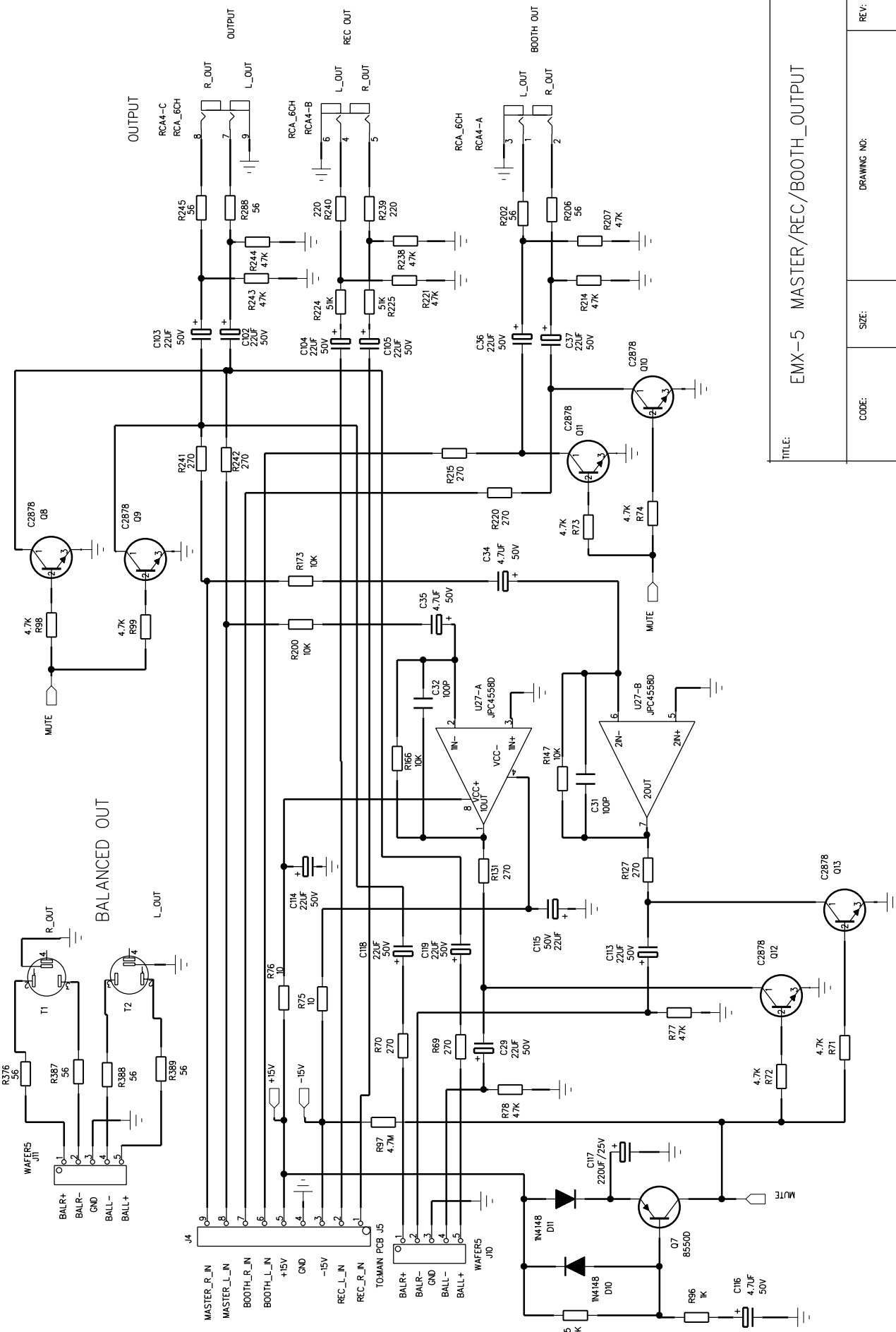
6

D

C

B

A



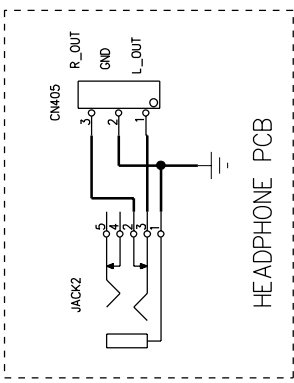
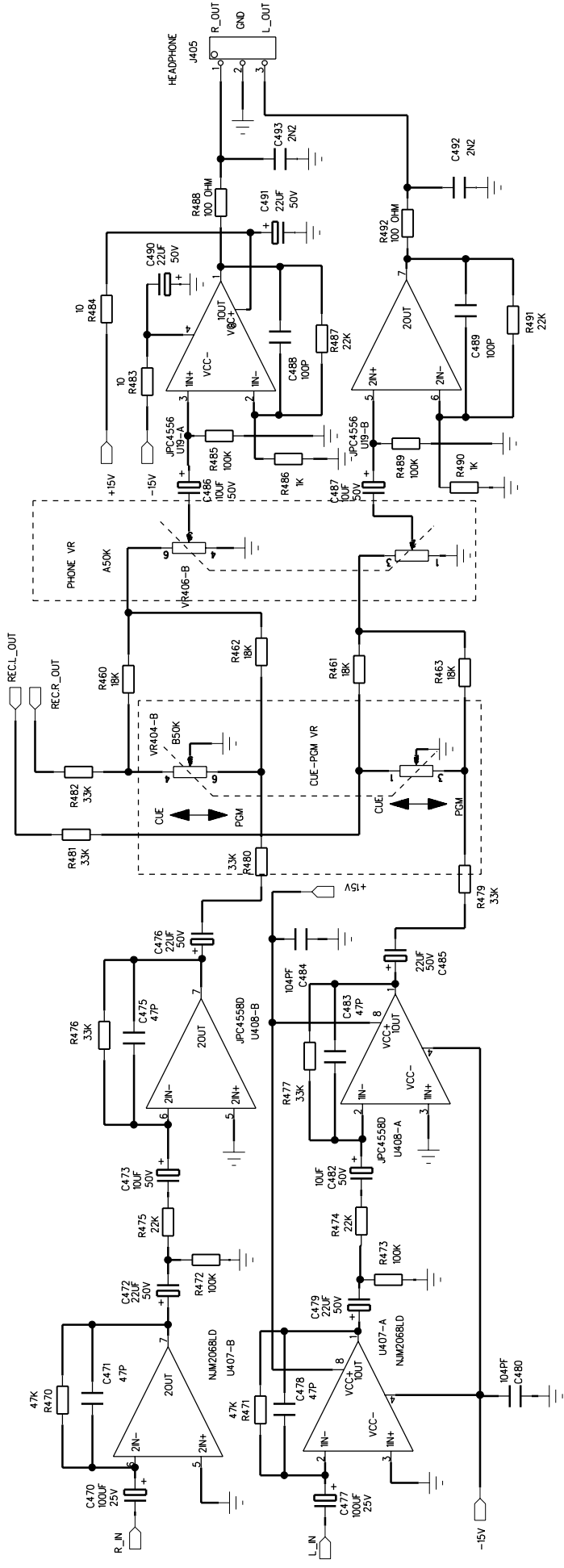
TITLE: EMX-5 MASTER/REC/BOOTH_OUTPUT

CODE: SIZE: DRAWING NO: REV:

SHEET: OF

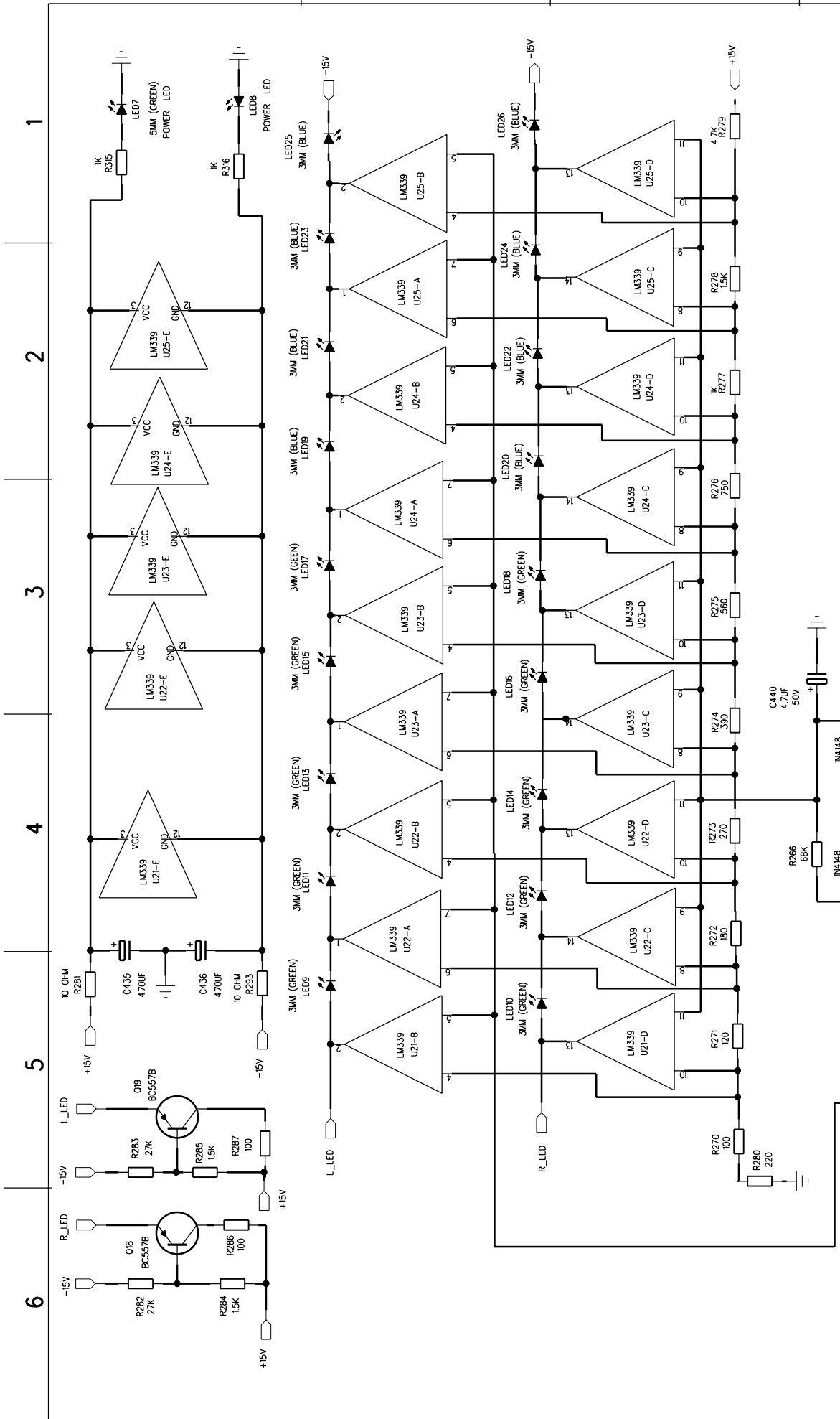
SCALE:

D C B A



TITLE: emx-5 HEADPHONE

CODE:	SIZE:	DRAWING NO:	REV:
SCALE:		SHEET:	OF



TITLE:EMX-5 LED		DRAWING NO:	REV:
CODE:	SIZE:		
SCALE:		SHEET:	OF

