



**SERVICE-DOKUMENTE
SERVICE DOCUMENTS
DOCUMENTS DE SERVICE
DOCUMENTOS DE SERVICIO**

EMX-I

Version 1.0

6

5

4

3

2

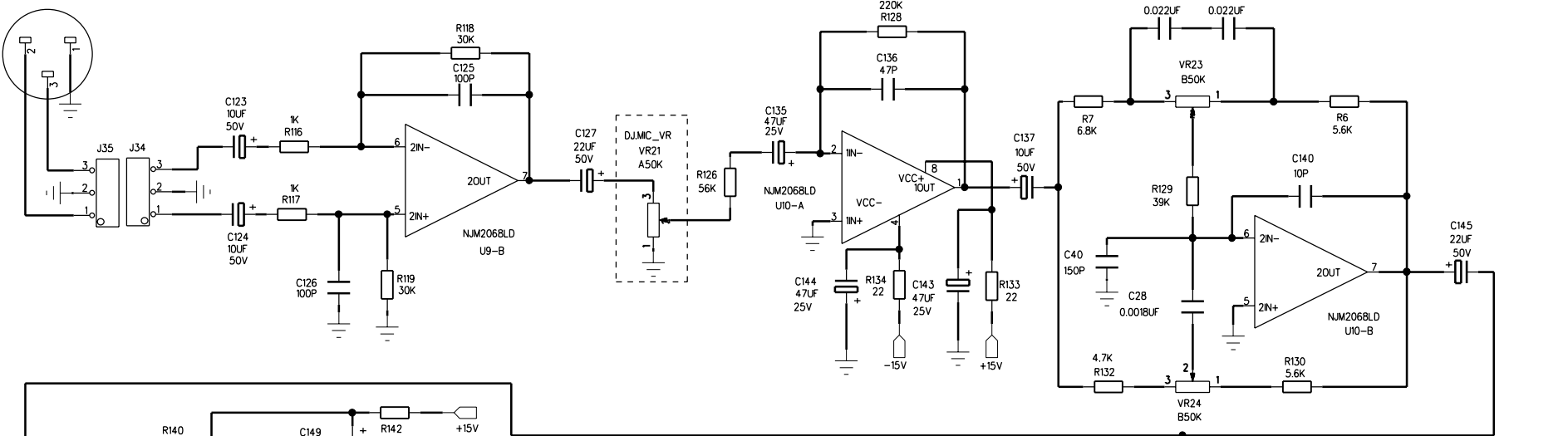
1

REVISION RECORD			
LTR	ECO NO:	APPROVED:	DATE:

D

D

DJ.MC

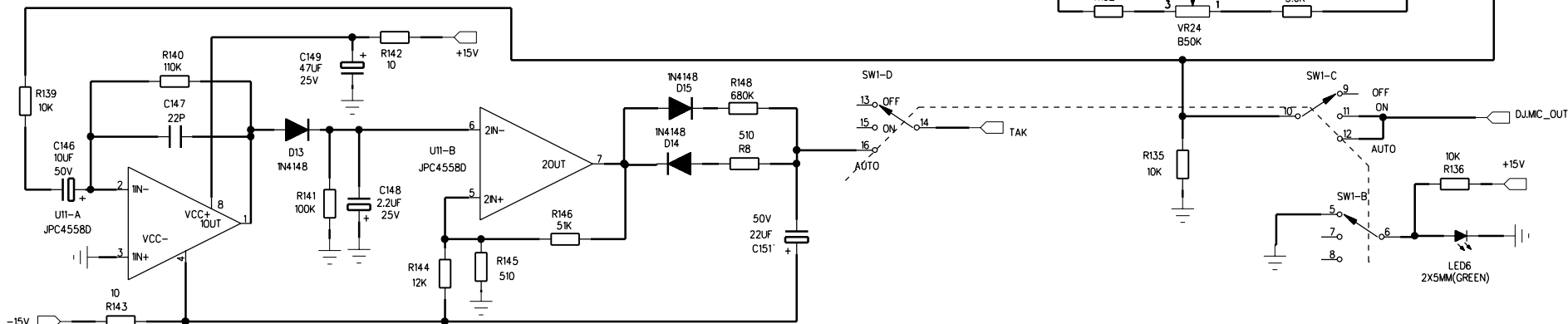


C

C

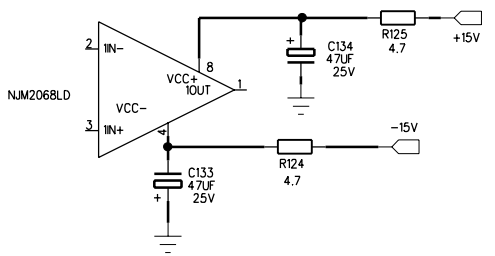
B

B



A

A



COMPANY:			
TITLE: EMX-1 MIC			
CODE:	SIZE:	DRAWING NO:	REV:
SCALE:		SHEET: OF	

DRAWN:	DATED:
CHECKED:	DATED:
QUALITY CONTROL:	DATED:
RELEASED:	DATED:

6

5

4

3

2

1

REVISION RECORD			
LTR	ECO NO:	APPROVED:	DATE:

D

D

C

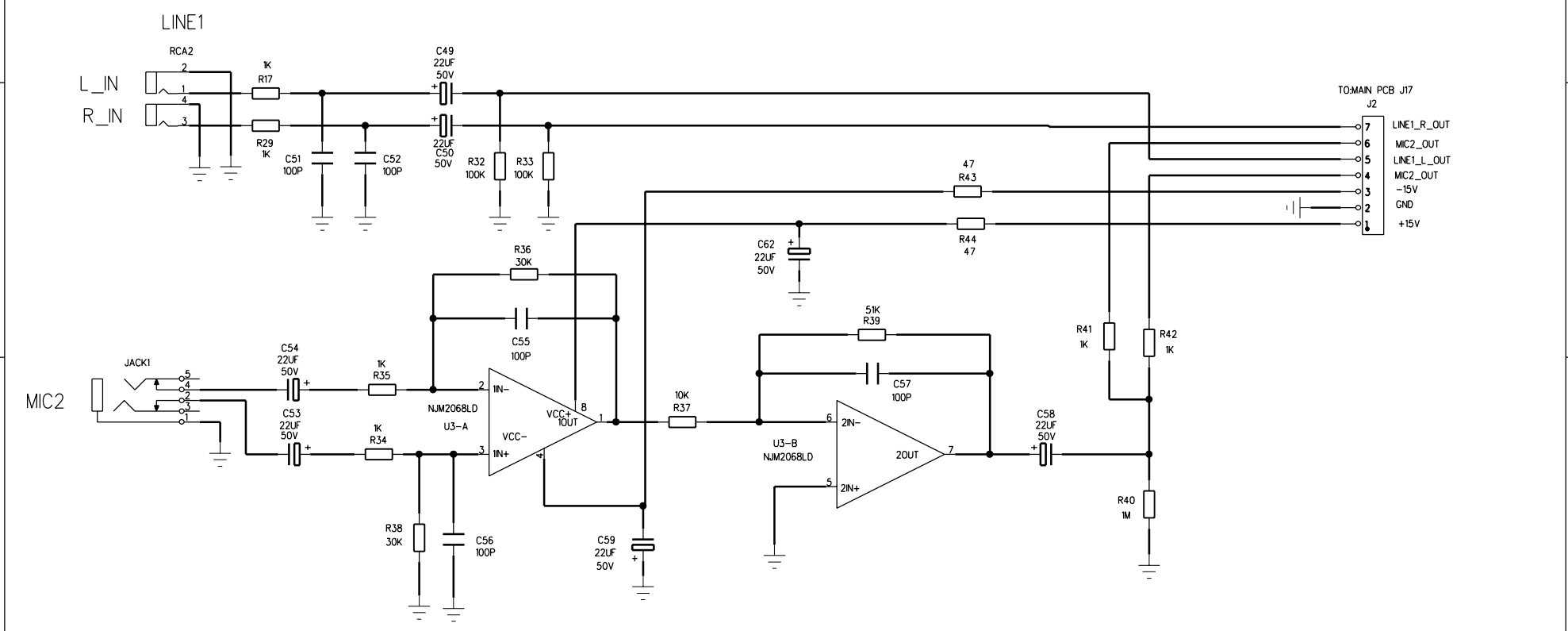
C

B

B

A

A



COMPANY:			
TITLE: EMX-1 LINE1/MIC2			
CODE:	SIZE:	DRAWING NO:	REV:
SCALE:			SHEET: OF

DRAWN:	DATED:
CHECKED:	DATED:
QUALITY CONTROL:	DATED:
RELEASED:	DATED:

6

5

4

3

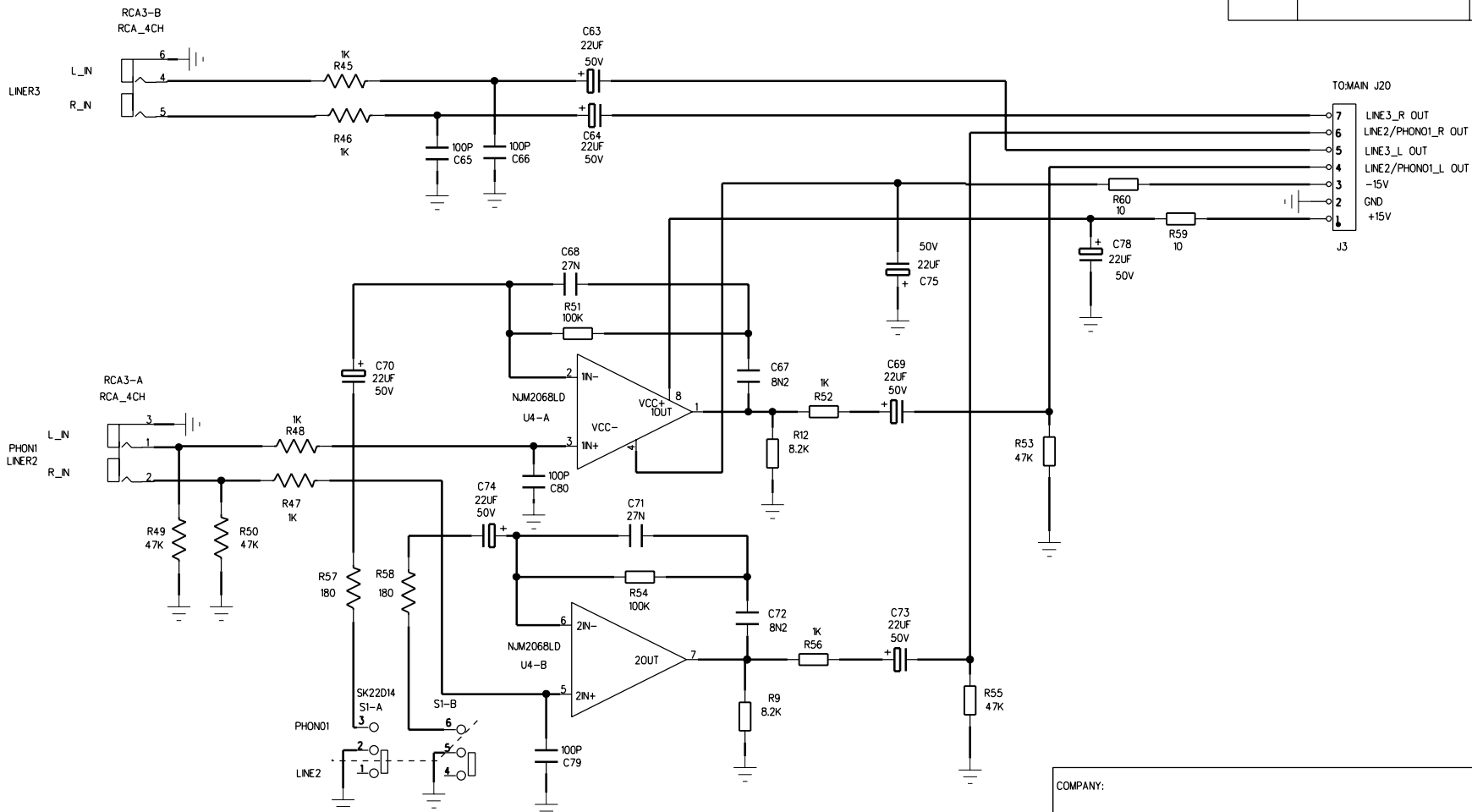
2

1

REVISION RECORD			
LTR	ECO NO:	APPROVED:	DATE:

D

D



C

C

B

B

A

A

COMPANY:			
TITLE:			
EMX-1 LINE3 PHONO1/LINE2			
CODE:	SIZE:	DRAWING NO:	REV:
SCALE:	SHEET:		OF

DRAWN:	DATED:
CHECKED:	DATED:
QUALITY CONTROL:	DATED:
RELEASED:	DATED:

6

5

4

3

2

1

REVISION RECORD			
LTR	ECO NO:	APPROVED:	DATE:

D

D

C

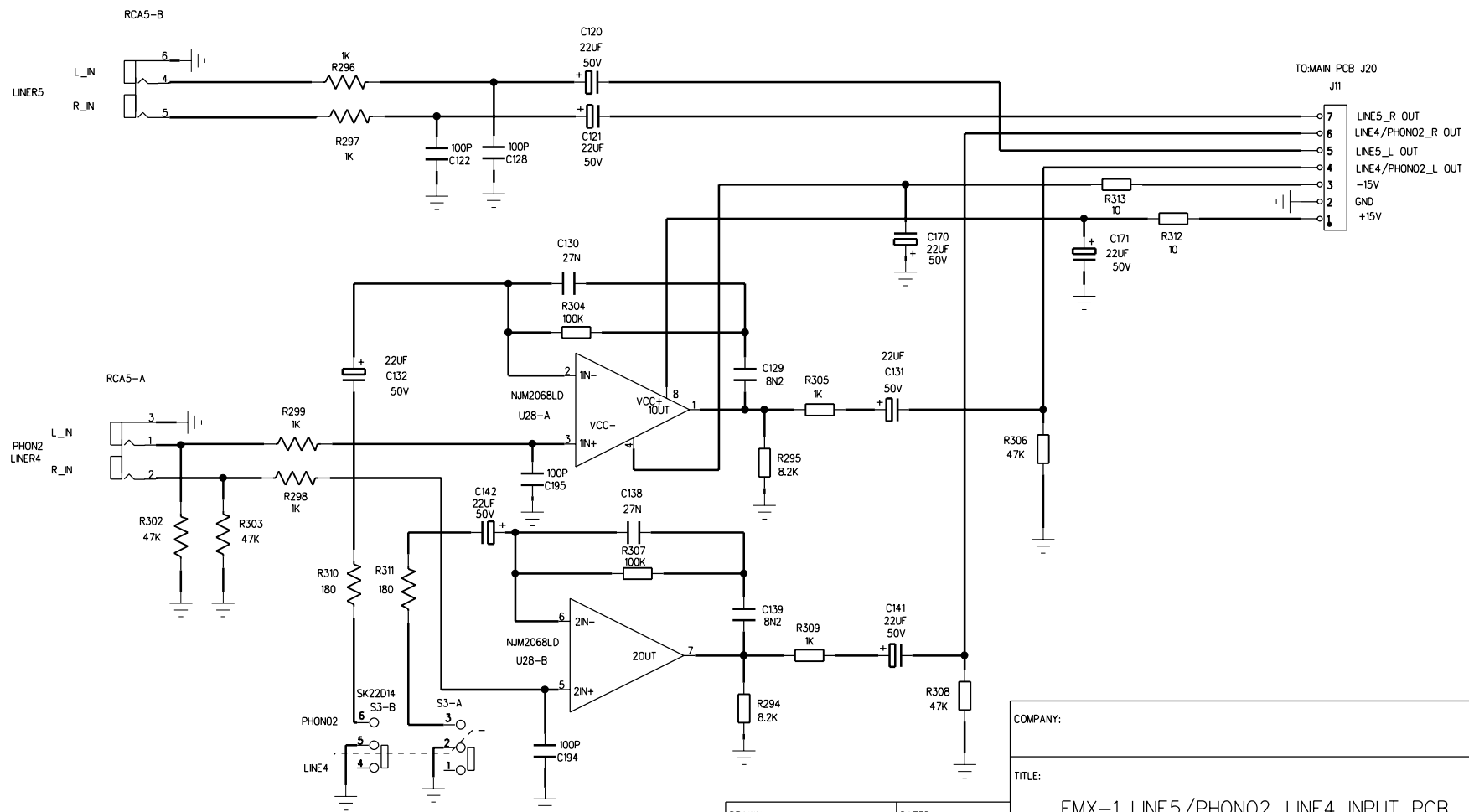
C

B

B

A

A



COMPANY:			
TITLE: EMX-1 LINE5/PHONO2_LINE4 INPUT PCB			
CODE:	SIZE:	DRAWING NO:	REV:
SCALE:		SHEET: OF	

DRAWN:	DATED:
CHECKED:	DATED:
QUALITY CONTROL:	DATED:
RELEASED:	DATED:

6

5

4

3

2

1

REVISION RECORD			
LTR	ECO NO:	APPROVED:	DATE:

D

D

C

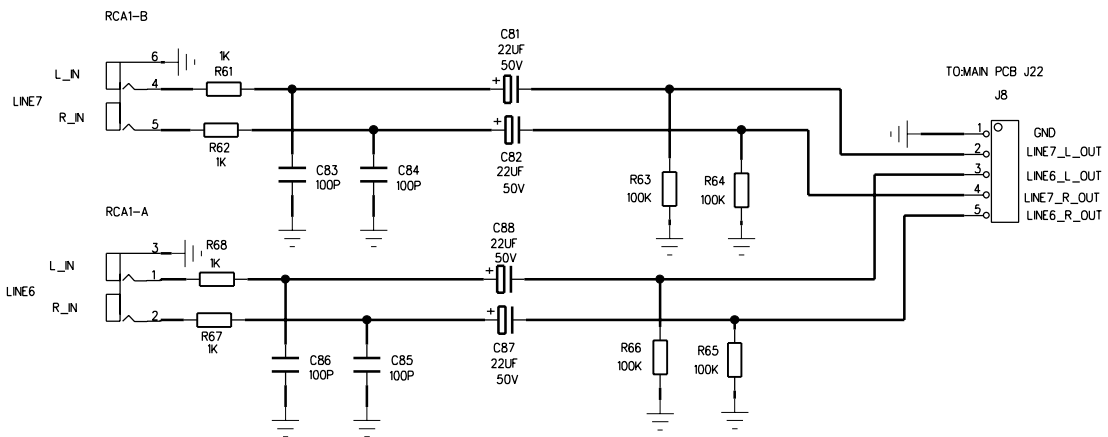
C

B

B

A

A



COMPANY:			
TITLE: EMX-1 LINE7/LINE6			
CODE:	SIZE:	DRAWING NO:	REV:
SCALE:			SHEET: OF

DRAWN:	DATED:
CHECKED:	DATED:
QUALITY CONTROL:	DATED:
RELEASED:	DATED:

6

5

4

3

2

1

REVISION RECORD			
LTR	ECO NO:	APPROVED:	DATE:

D

D

C

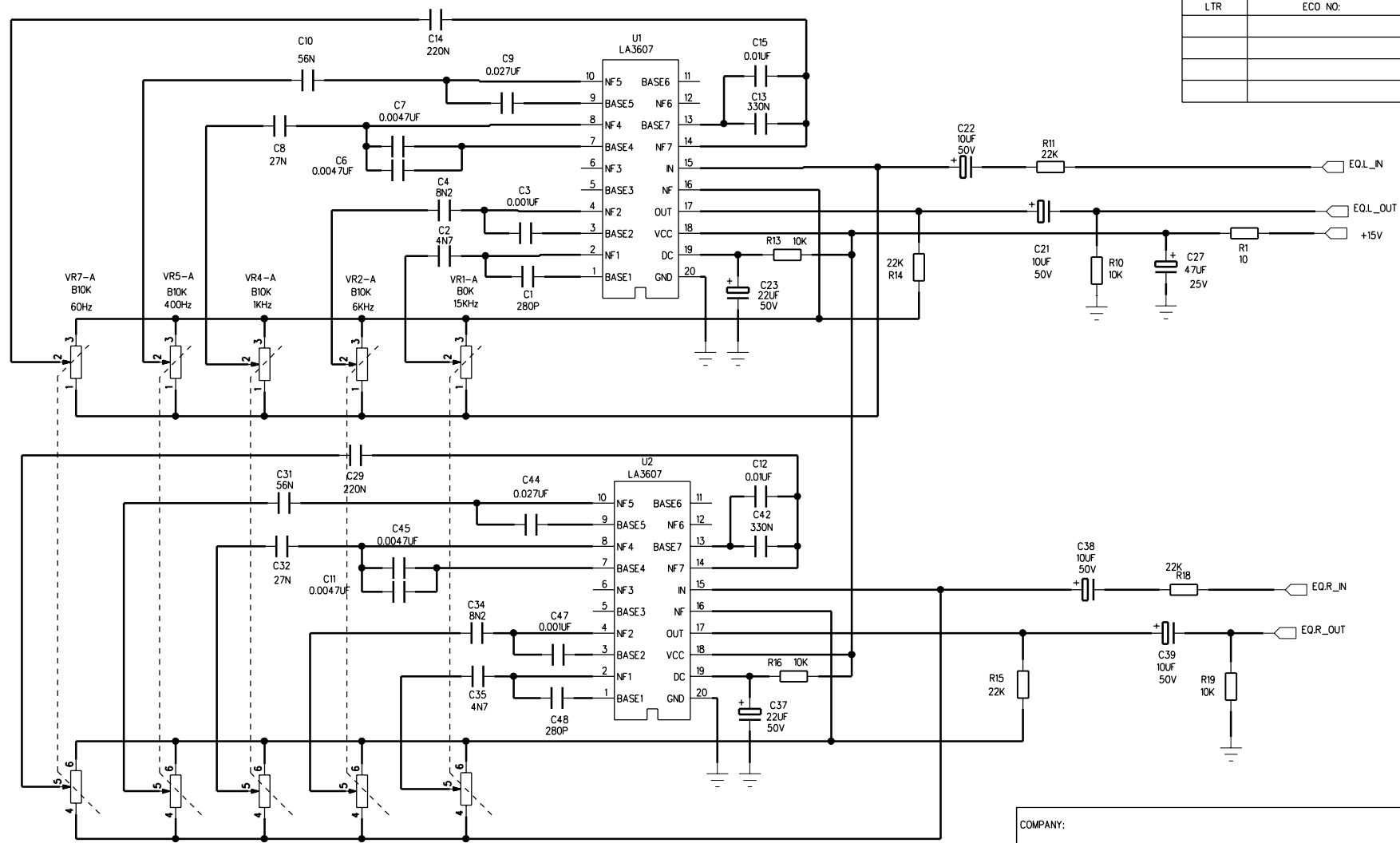
C

B

B

A

A



COMPANY:

TITLE: EMX-1 EQ

CODE:	SIZE:	DRAWING NO:	REV:
-------	-------	-------------	------

SCALE: SHEET: OF

DRAWN:	DATED:
CHECKED:	DATED:
QUALITY CONTROL:	DATED:
RELEASED:	DATED:

6

5

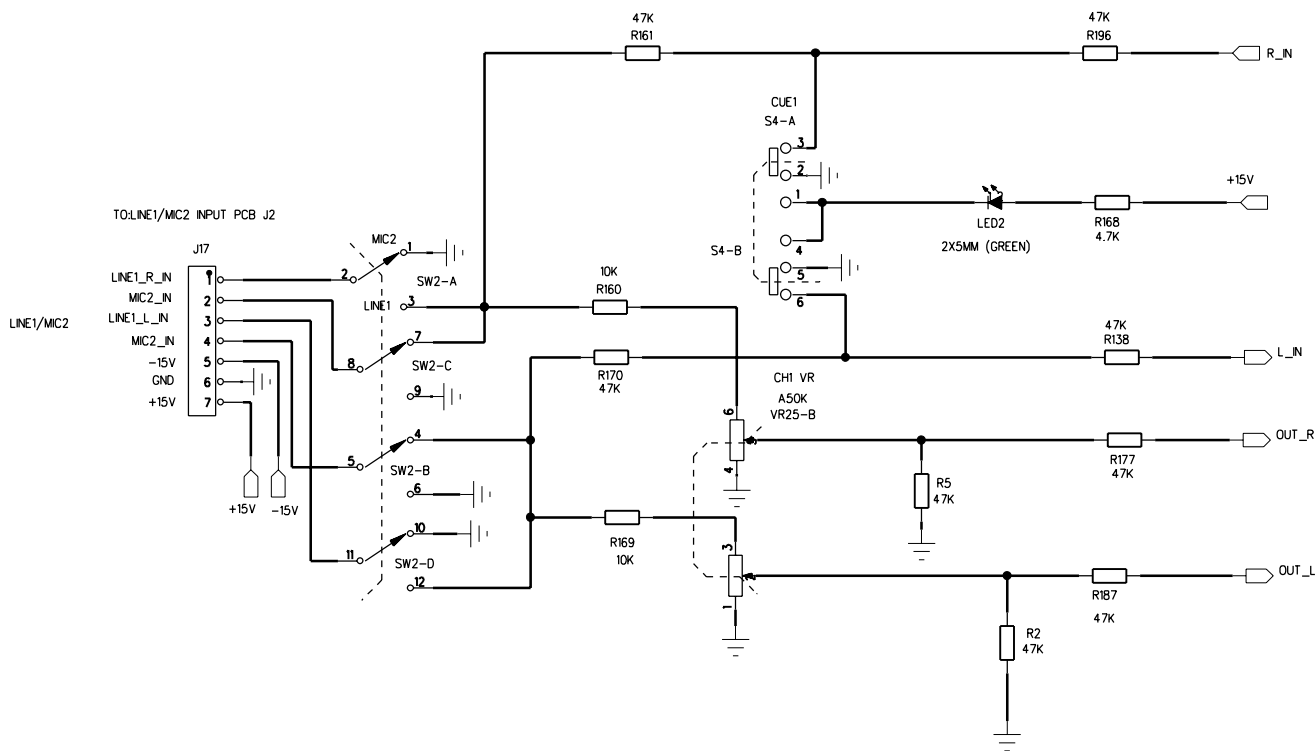
4

3

2

1

REVISION RECORD			
LTR	ECO NO:	APPROVED:	DATE:



COMPANY:			
TITLE: EMX-1 CH-1			
CODE:	SIZE:	DRAWING NO:	REV:
SCALE:			SHEET: OF

DRAWN:	DATED:
CHECKED:	DATED:
QUALITY CONTROL:	DATED:
RELEASED:	DATED:

D

D

C

C

B

B

A

A

6

5

4

3

2

1

REVISION RECORD			
LTR	ECO NO:	APPROVED:	DATE:

D

D

C

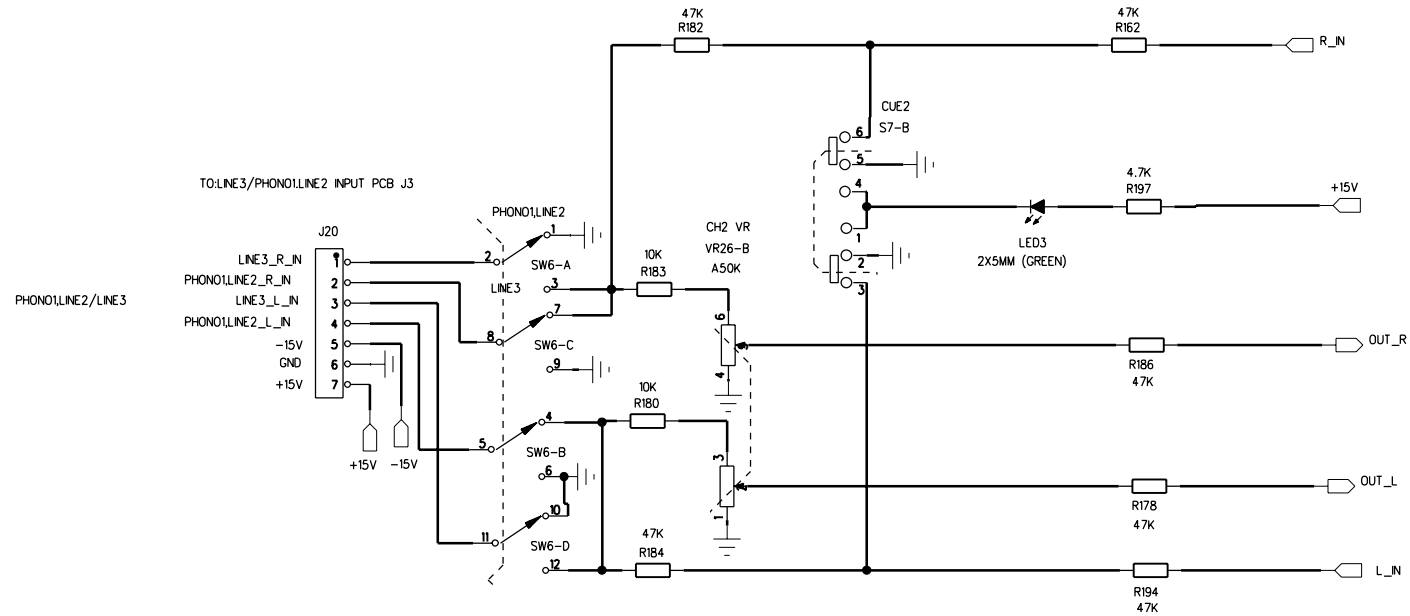
C

B

B

A

A



COMPANY:			
TITLE: EMX-1 CH_2			
CODE:	SIZE:	DRAWING NO:	REV:
SCALE:			SHEET: OF

DRAWN:	DATED:
CHECKED:	DATED:
QUALITY CONTROL:	DATED:
RELEASED:	DATED:

6

5

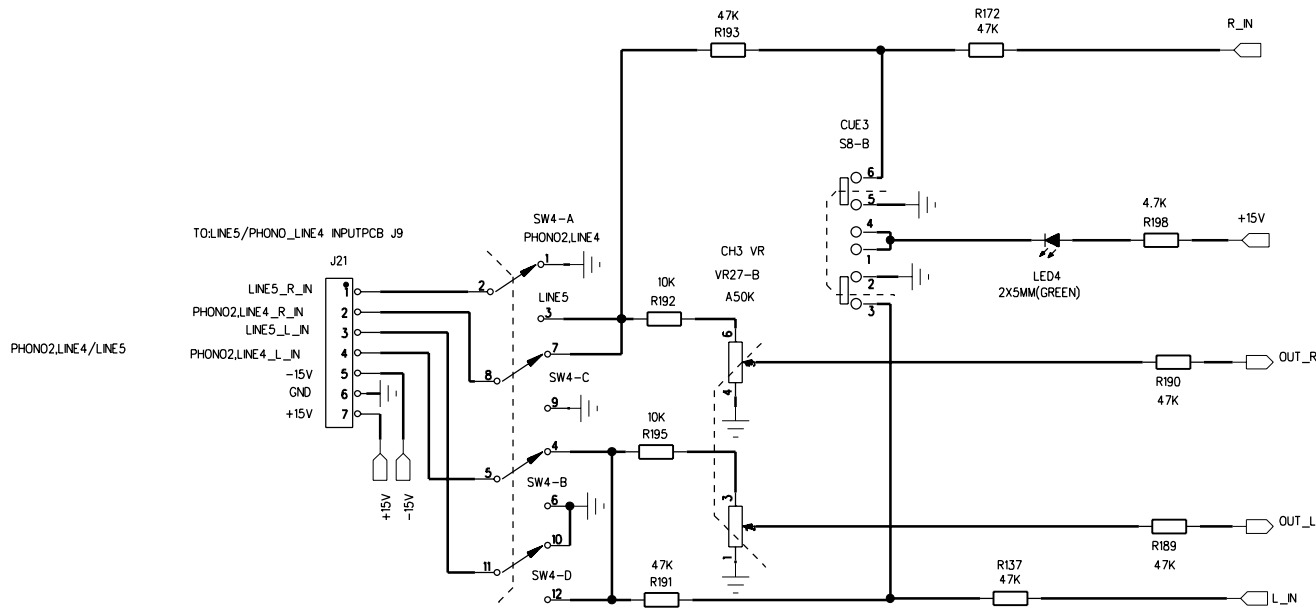
4

3

2

1

REVISION RECORD			
LTR	ECO NO:	APPROVED:	DATE:



COMPANY:			
TITLE: EMX-1 CH-3			
CODE:	SIZE:	DRAWING NO:	REV:
SCALE:			SHEET: OF

DRAWN:	DATED:
CHECKED:	DATED:
QUALITY CONTROL:	DATED:
RELEASED:	DATED:

D

D

C

C

B

B

A

A

6

5

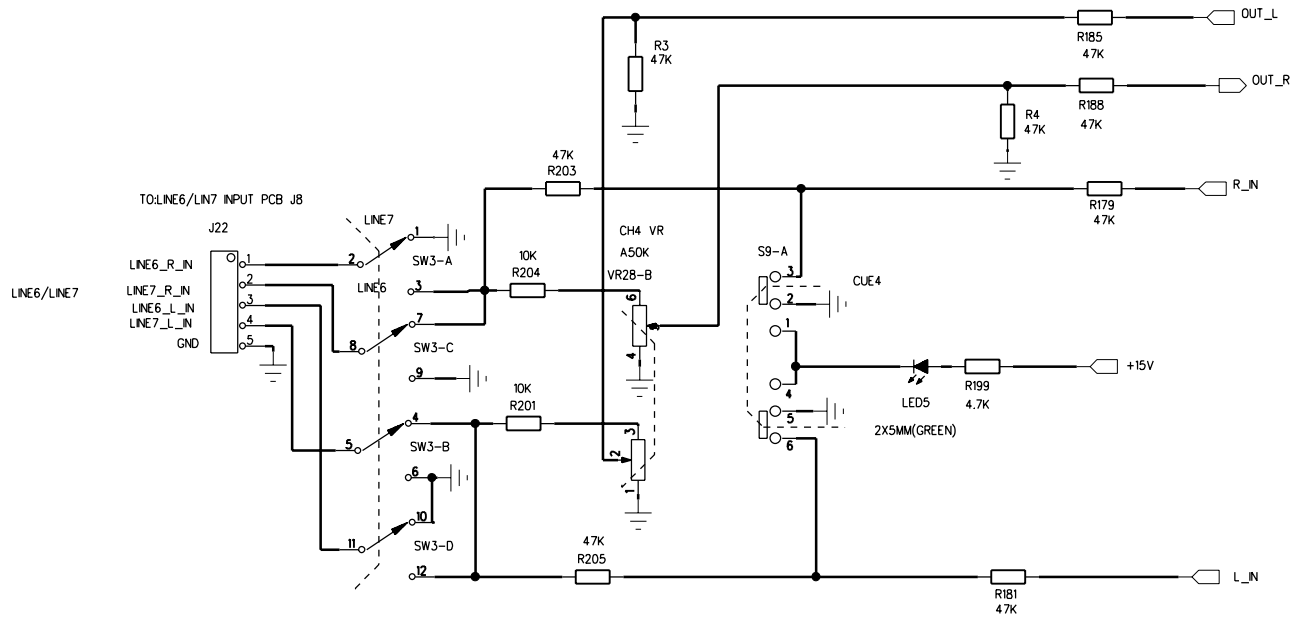
4

3

2

1

REVISION RECORD			
LTR	ECO NO:	APPROVED:	DATE:



COMPANY:			
TITLE: EMX-1 CH-4			
CODE:	SIZE:	DRAWING NO:	REV:
SCALE:			SHEET: OF

DRAWN:	DATED:
CHECKED:	DATED:
QUALITY CONTROL:	DATED:
RELEASED:	DATED:

D

C

B

A

D

C

B

A

6

5

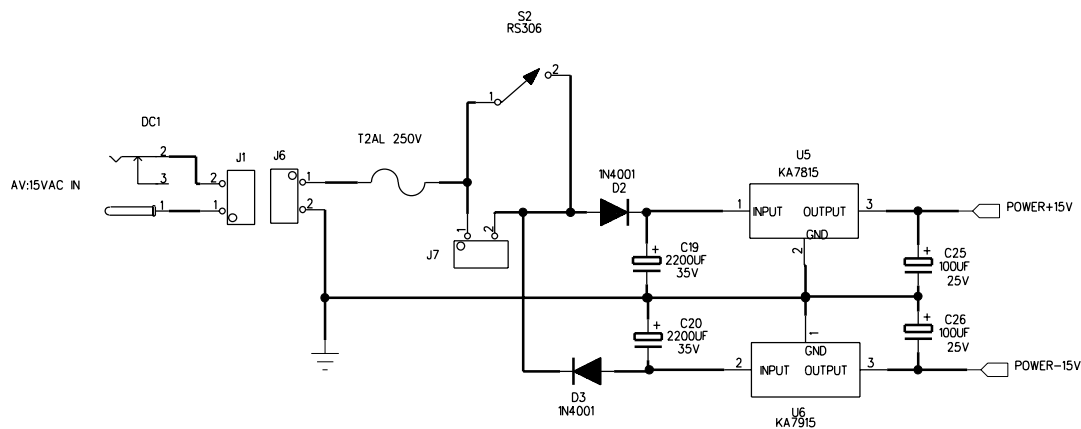
4

3

2

1

REVISION RECORD			
LTR	ECO NO:	APPROVED:	DATE:



DRAWN:	DATED:
CHECKED:	DATED:
QUALITY CONTROL:	DATED:
RELEASED:	DATED:

COMPANY:			
TITLE: EMX-1 power supply			
CODE:	SIZE:	DRAWING NO:	REV:
SCALE:			SHEET: OF

D

C

B

A

D

C

B

A

6

5

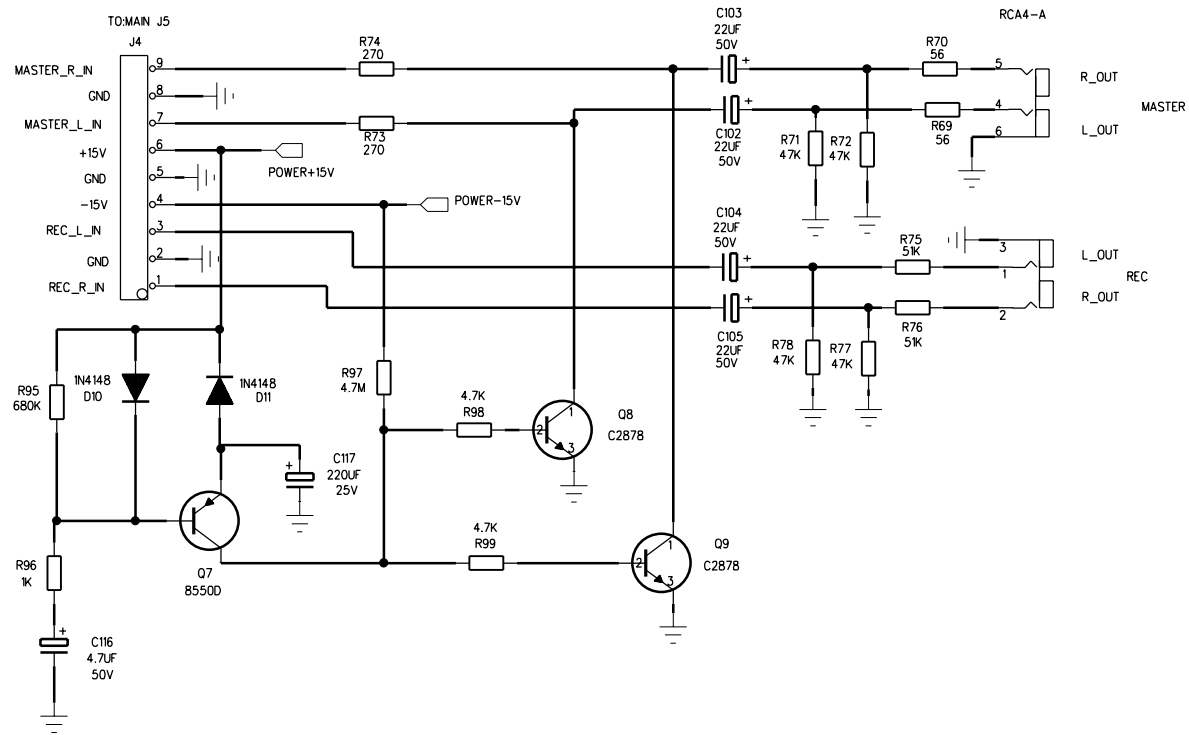
4

3

2

1

REVISION RECORD			
LTR	ECO NO:	APPROVED:	DATE:



COMPANY:			
TITLE: EMX-1 MASTER/REC_OUTPUT			
CODE:	SIZE:	DRAWING NO:	REV:
SCALE:			SHEET: OF

DRAWN:	DATED:
CHECKED:	DATED:
QUALITY CONTROL:	DATED:
RELEASED:	DATED:

D

D

C

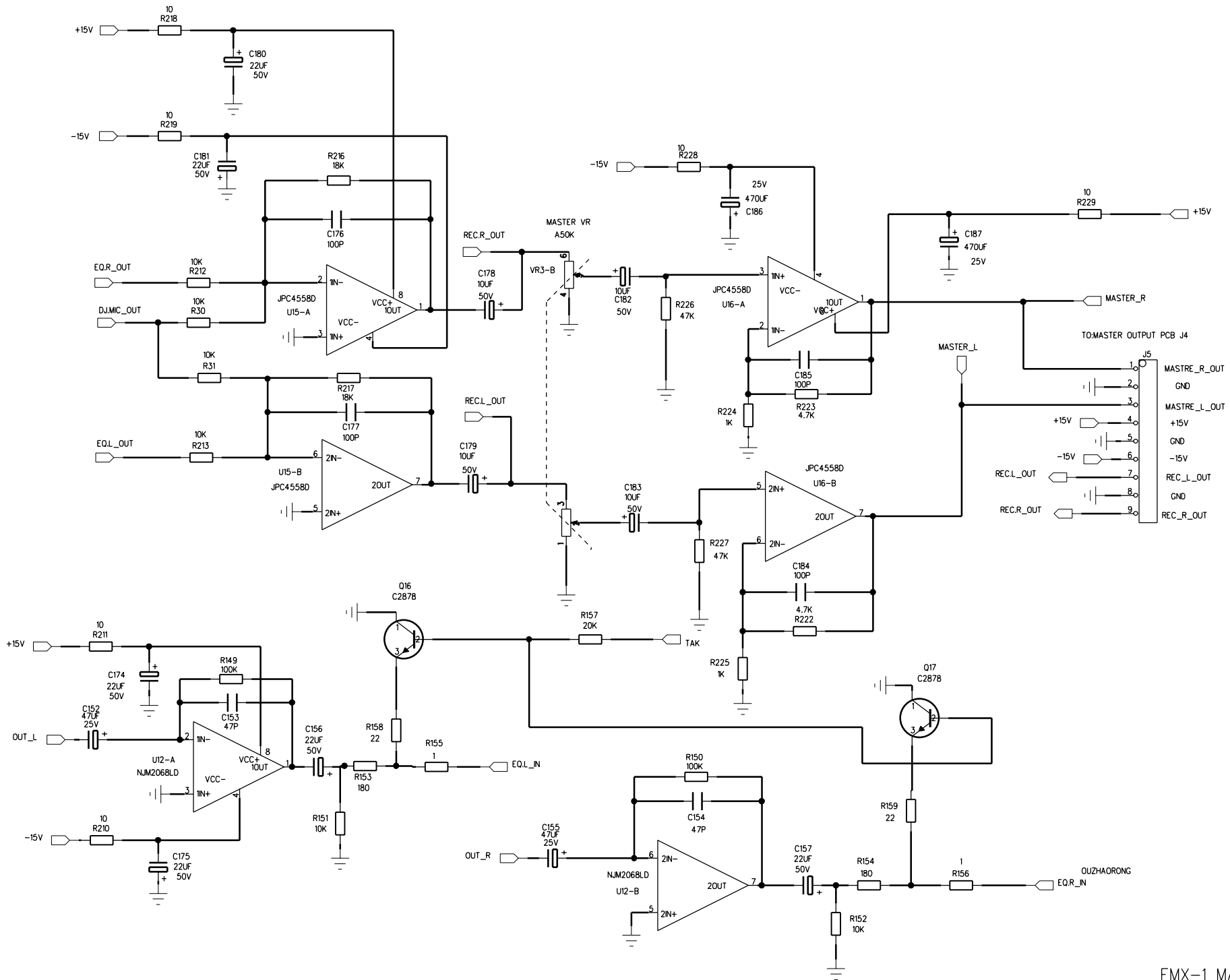
C

B

B

A

A



EMX-1 MASTER AMP

6

5

4

3

2

1

D

C

B

A

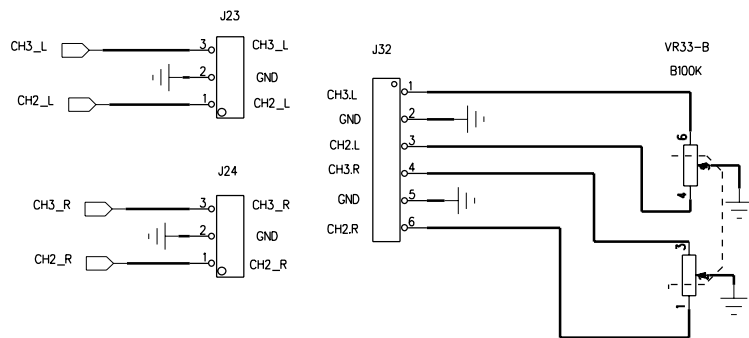
D

C

B

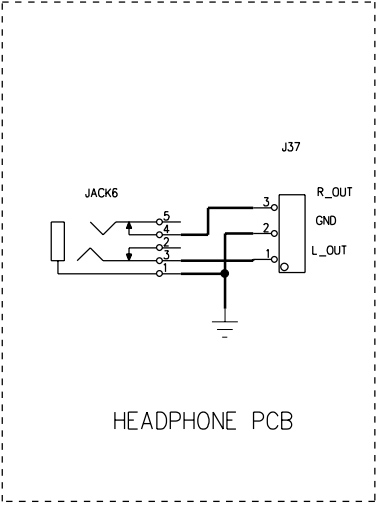
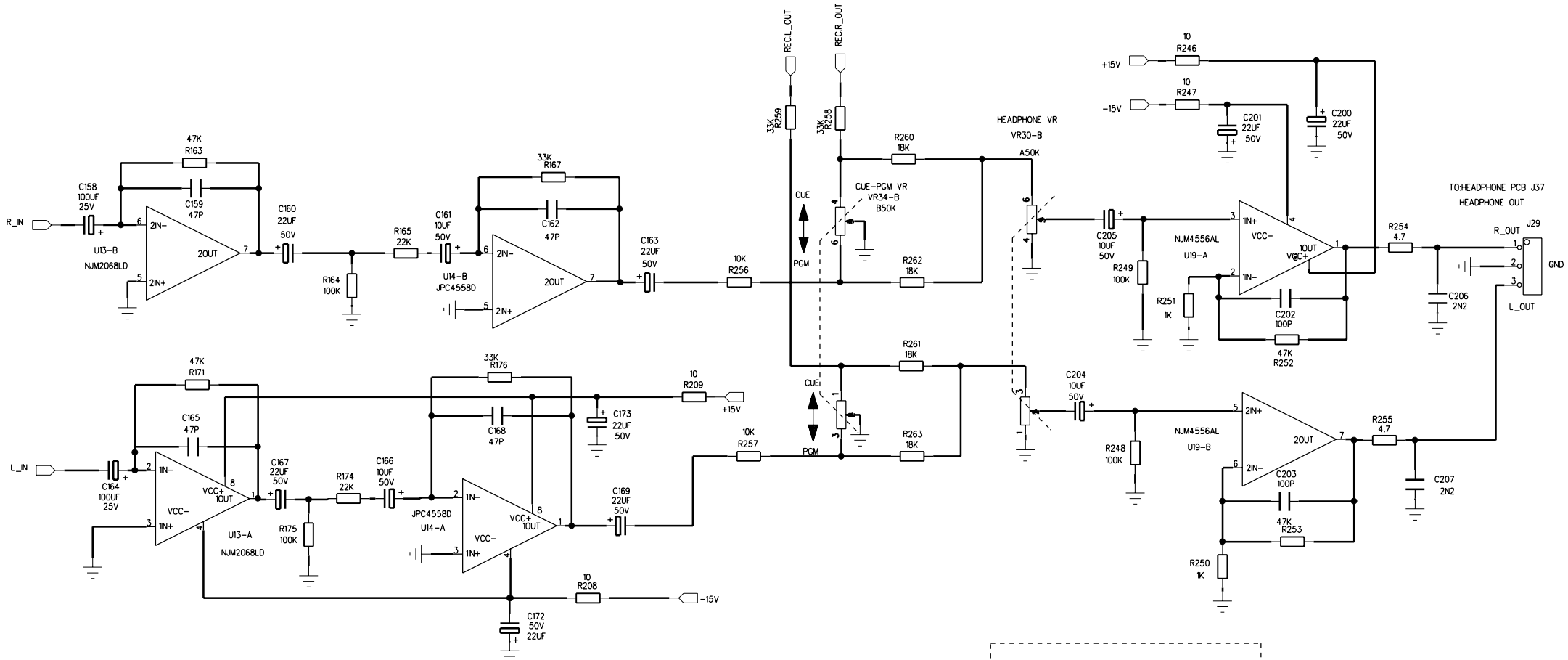
A

REVISION RECORD			
LTR	ECO NO:	APPROVED:	DATE:

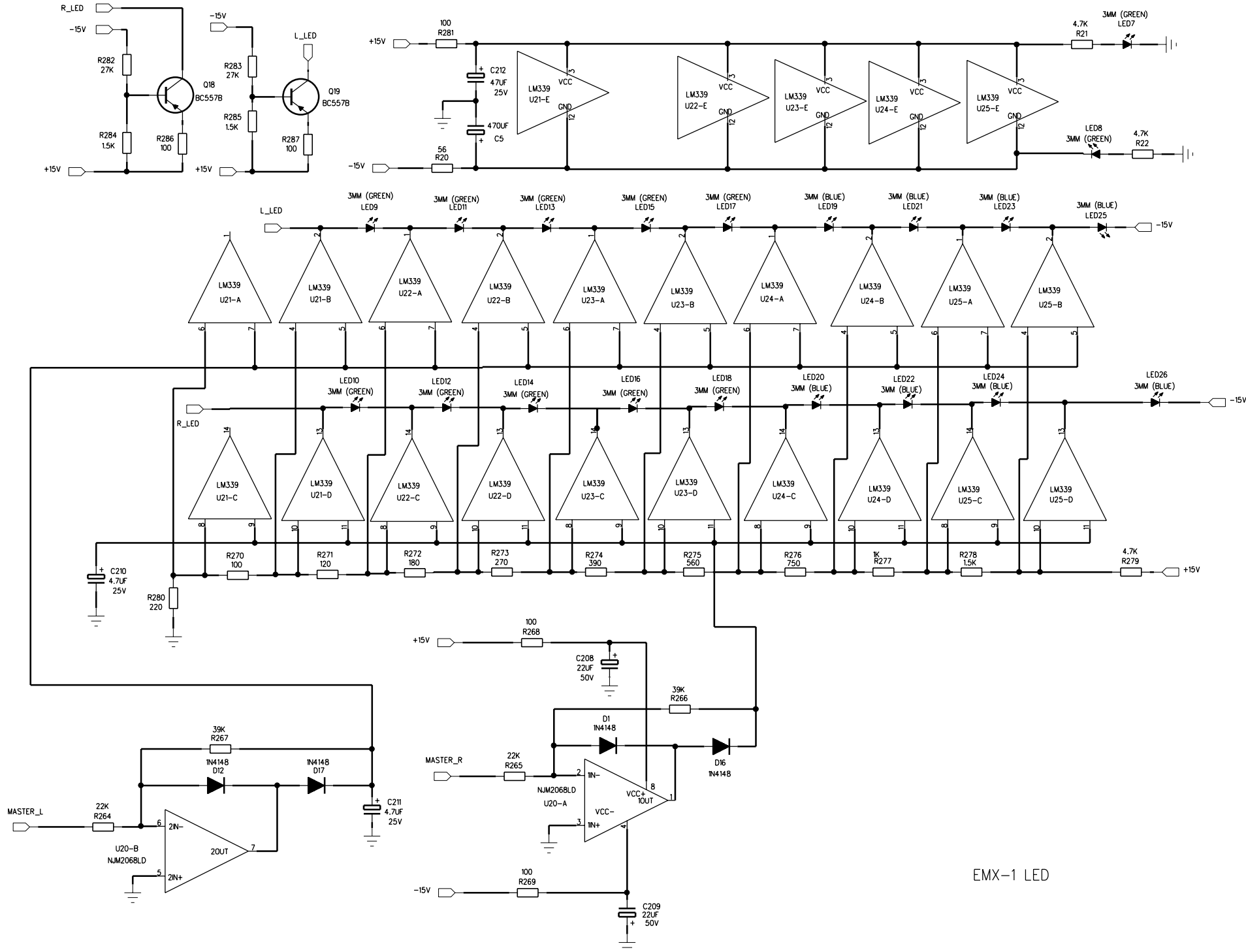


COMPANY:			
TITLE: EMX-1 BALANCED VR PCB			
CODE:	SIZE:	DRAWING NO:	REV:
SCALE:			SHEET: OF

DRAWN:	DATED:
CHECKED:	DATED:
QUALITY CONTROL:	DATED:
RELEASED:	DATED:



EMX-1 HEADPHONE



EMX-1 LED