

CH1 PH1/LINE

LINE1

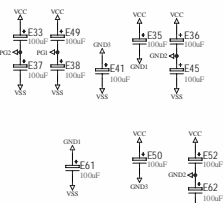
CH2 PH2/LINE

LINE3

LINE5

LINE7

REC

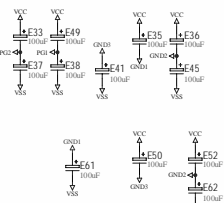


LINE2

LINE4

LINE6

LINE10



DJ MIC

MIC1

MIC2

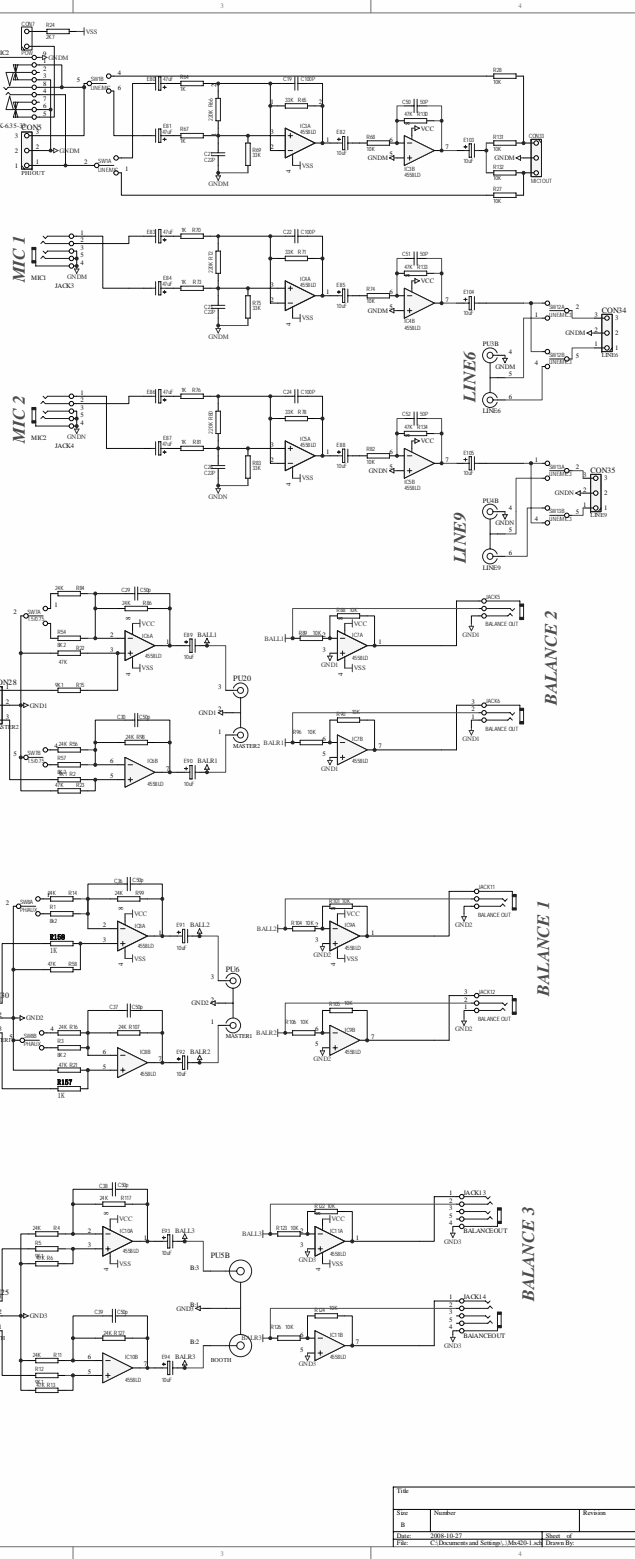
LINE6

LINE9

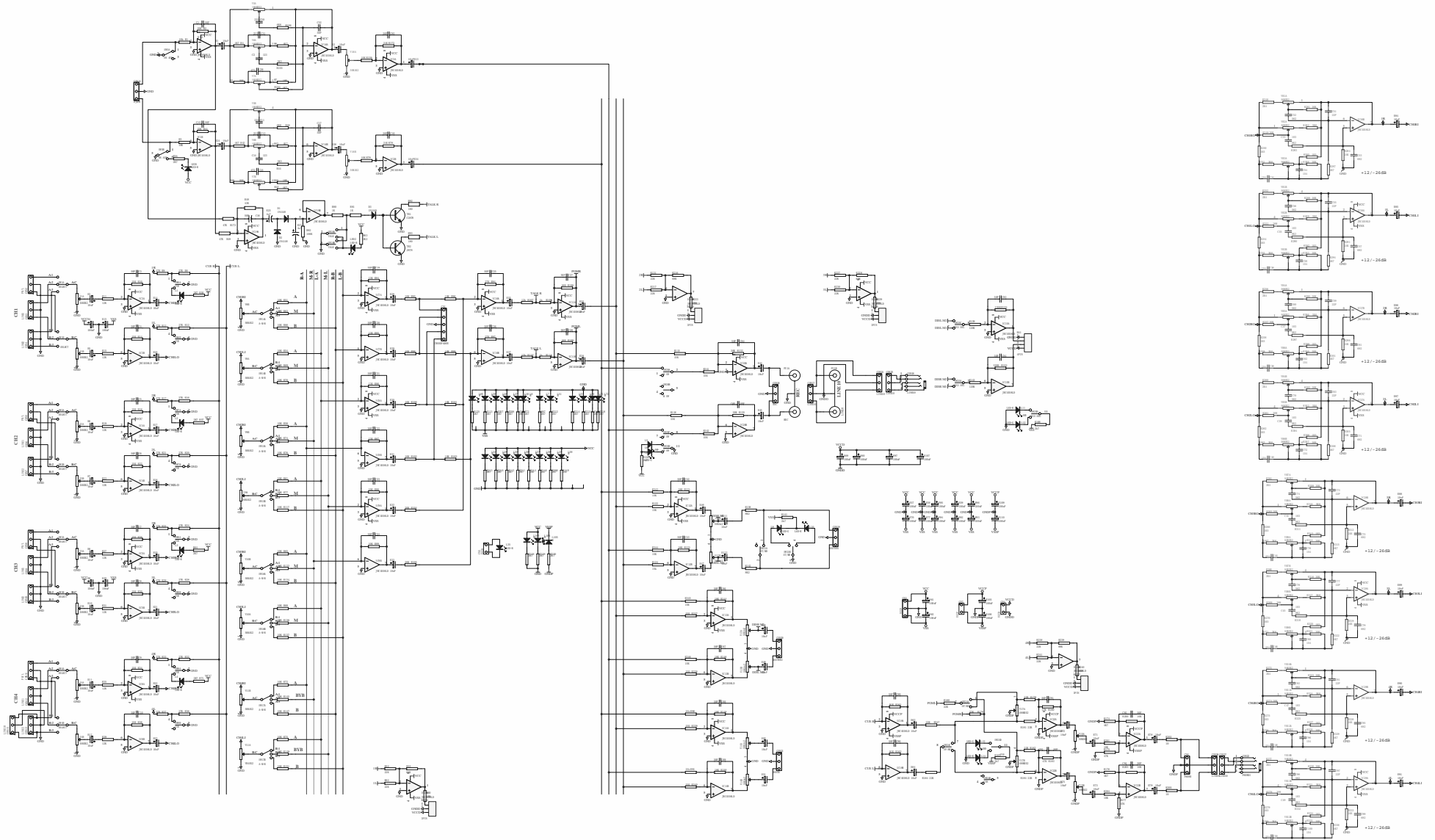
POS

BAL1

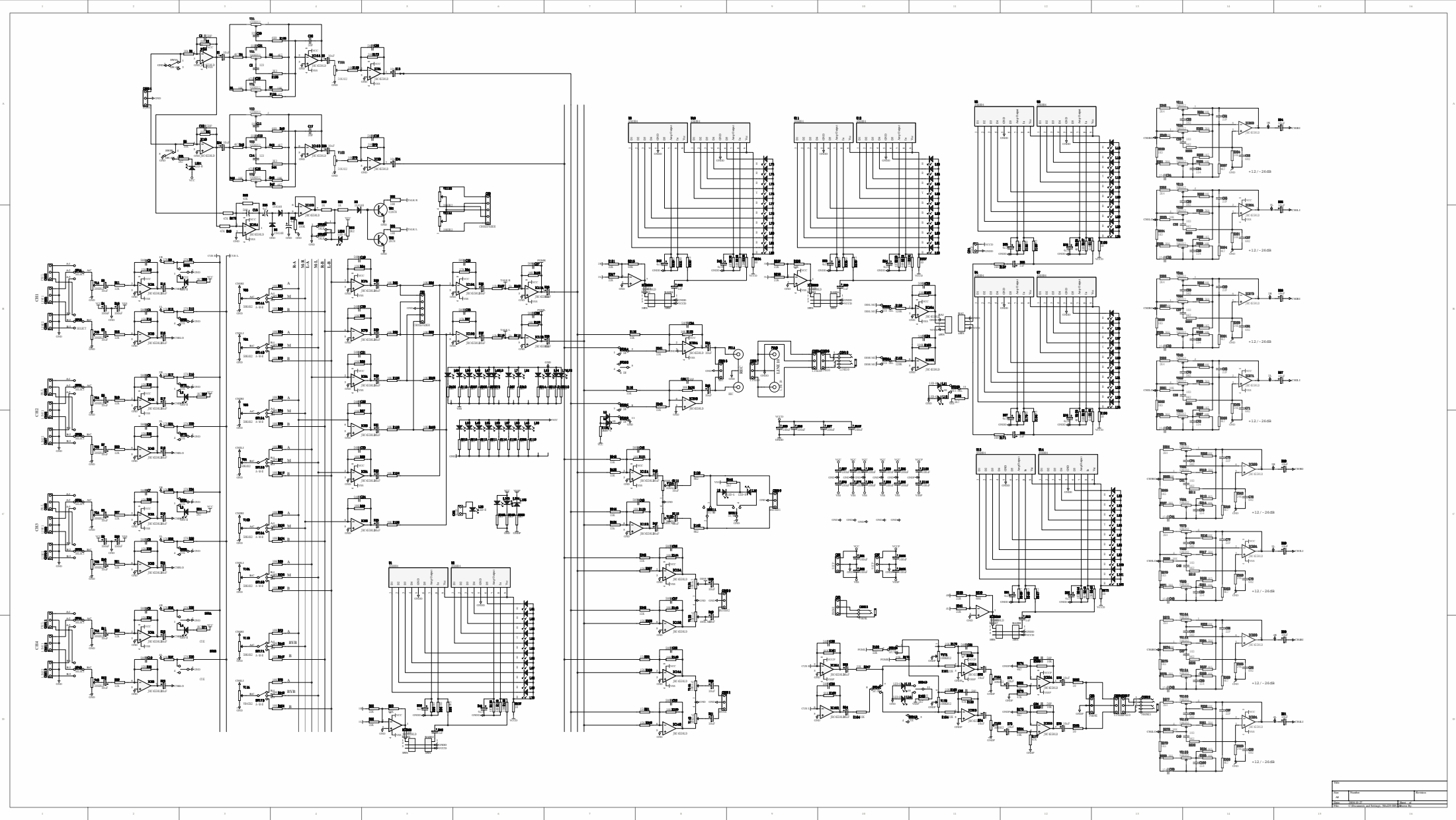
BAL2



Ver	Number	Revision
1		
Date	2024-10-27	Sheet of
File	C:\Documents and Settings\Administrator\My Documents\1362511.dwg D:\Data\B...	



NO.	REV.	DATE	BY	CHK.
1	1			



Rev	Description	Date
1	Initial Design	2023-10-27
2	Component Updates	2023-11-15
3	Final Schematic	2023-12-01