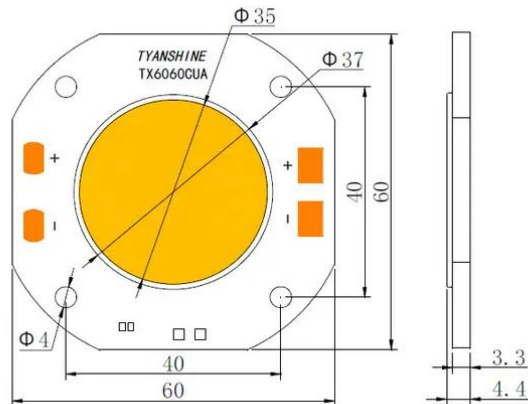

LED COB 250W 3000K LED PFE-250 3000K Profile Spot (TX-6060W250D180CUY)

Art.-Nr.: E6510308
GTIN: 4026397654943



Listenpreis: 314.87 €
inkl. 19% MwSt.

LED COB 250W 3000K LED PFE-250 3000K Profile Spot (TX-6060W250D180CUY)

Art.-Nr.: E6510308
GTIN: 4026397654943

Features:
